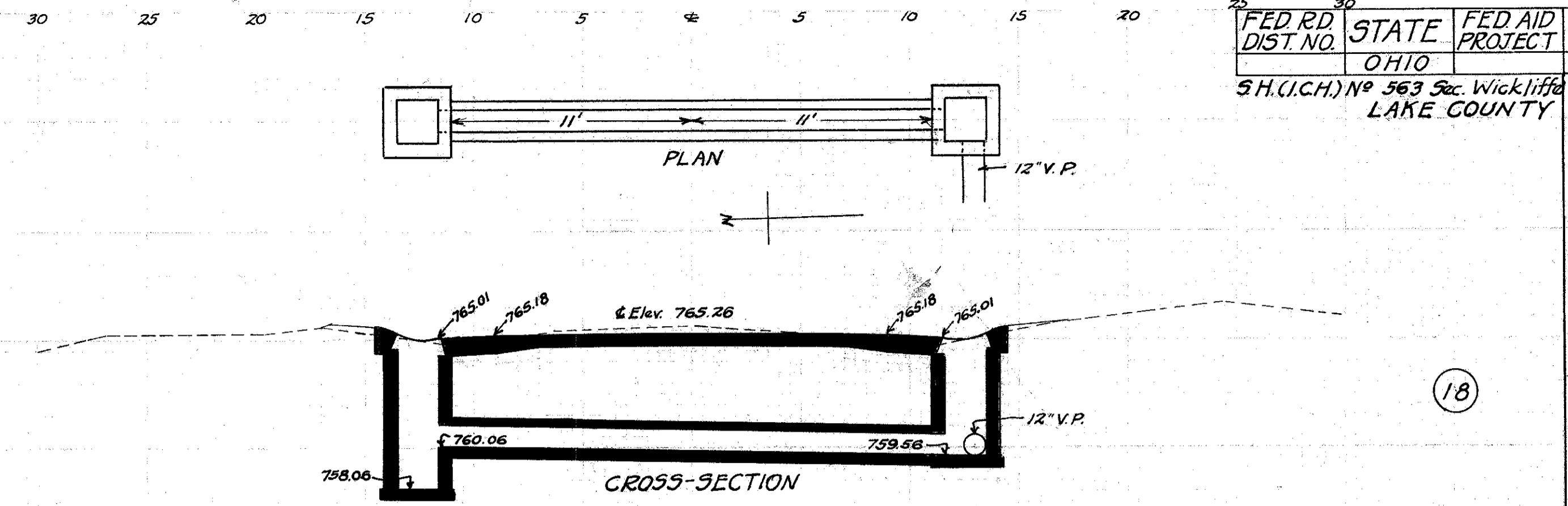


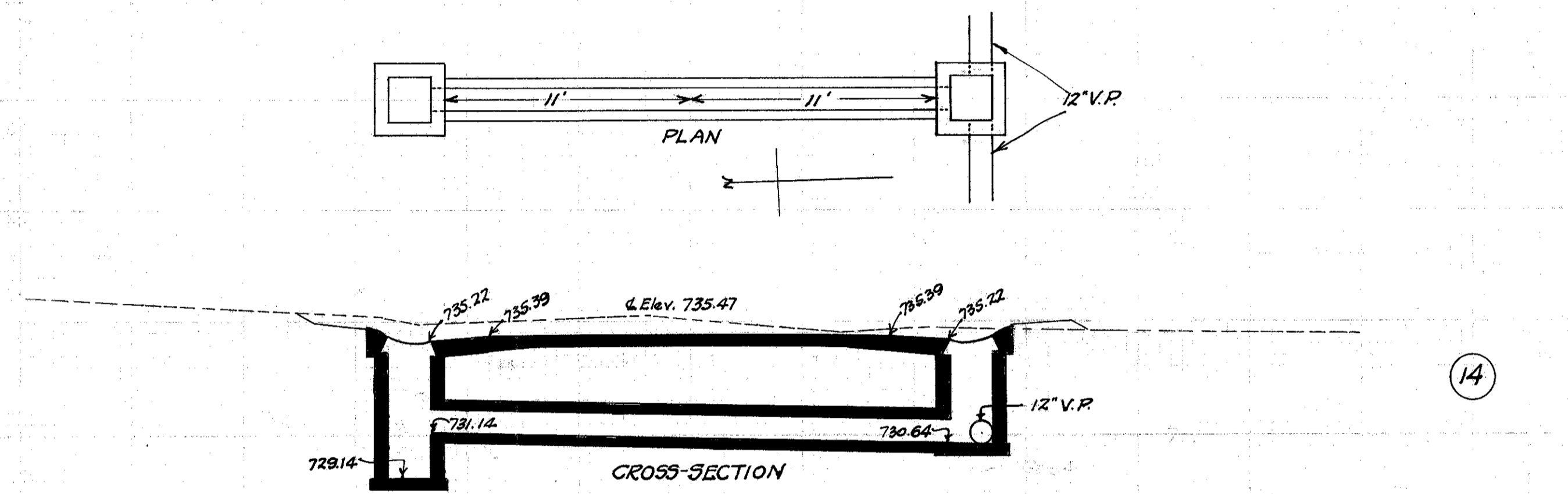
CULVERT DATA
 Type: Std. V.S.P. culvert Dr. #300
 Size: 12" x 24"
 Work Req.: Build 12" x 24' Std. V.P.(enc) culvert
 C.B. on L I.B. on R.
 Drawn by Cumings + Plummer. Checked by
 Date 3/31/28 Date Div'n. Engr. Sta. 68+0

EST. QUANTITIES
 Exc. 5.0 cu.yds
 Con. I-B 2.38 cu.yds
 12" V.P. 24 lin.ft.
 C.B. 1
 I.B. 1



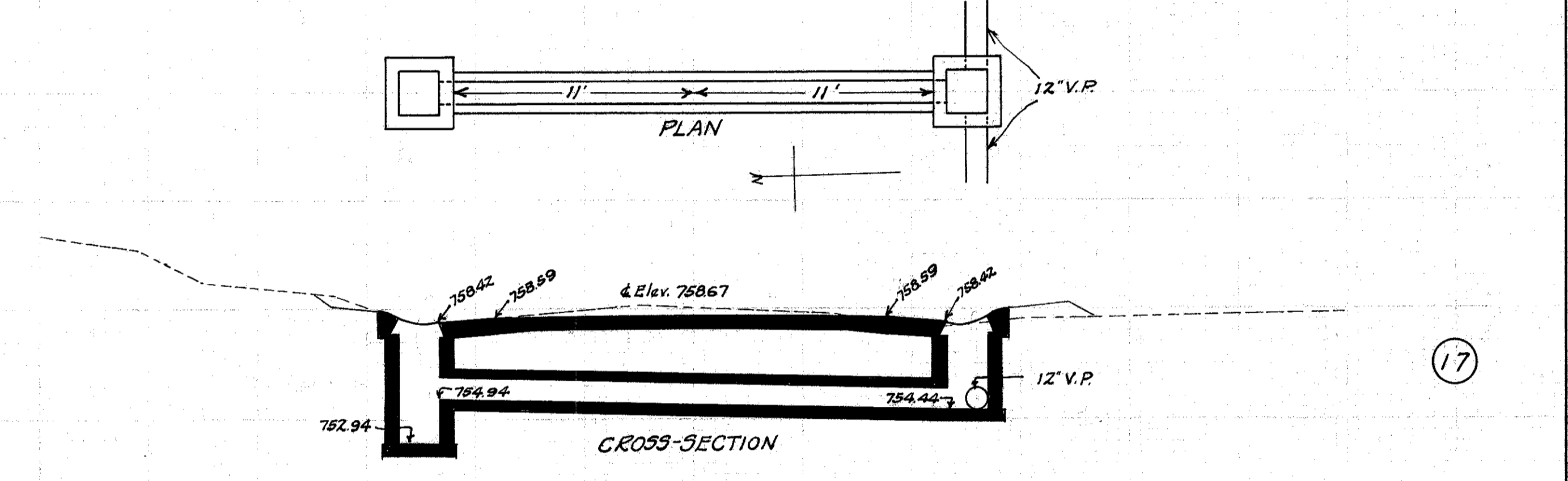
CULVERT DATA
 Type: Std. V.S.P. culvert Dr. #300
 Size: 12" x 24"
 Work Req.: Build 12" x 24' Std. V.P.(enc) culvert.
 C.B. on L I.B. on R.
 Drawn by Cumings + Plummer. Checked by
 Date 3/31/28 Date Div'n. Engr. Sta. 83+50

EST. QUANTITIES
 Exc. 6.7 cu.yds
 Con. I-B 2.38 cu.yds
 12" V.P. 24 lin.ft.
 C.B. 1
 I.B. 1



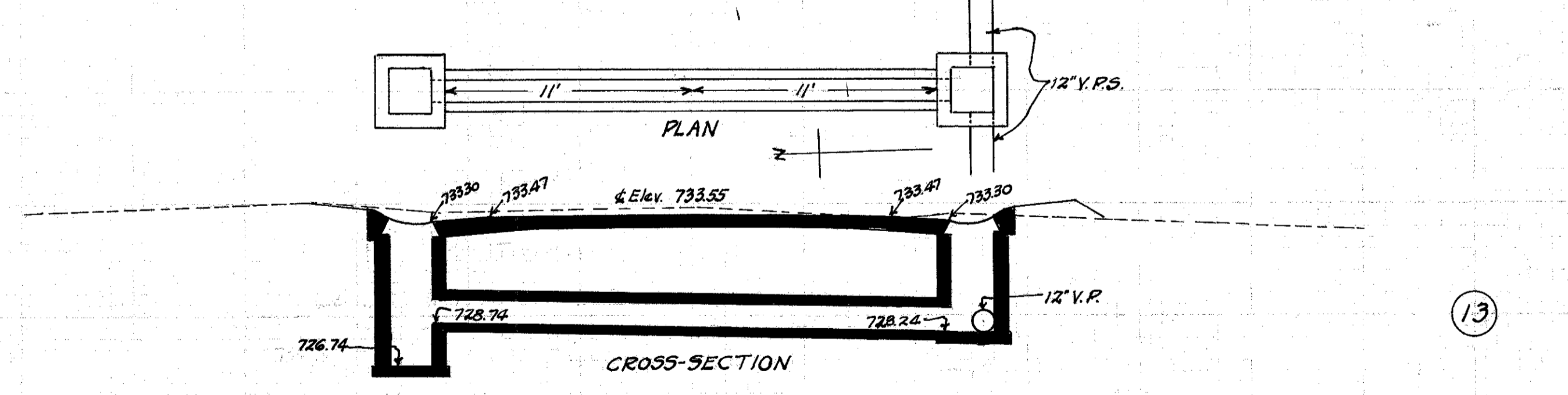
CULVERT DATA
 Type: Std. V.S.P. culvert Dr. #300
 Size: 12" x 24"
 Work Req.: Build 12" x 24' Std. V.P.(enc) culvert
 C.B. on L I.B. on R.
 Drawn by Cumings + Plummer. Checked by
 Date 3/31/28 Date Div'n. Engr. Sta. 65+0

EST. QUANTITIES
 Exc. 8.8 cu.yds
 Con. I-B 2.38 cu.yds
 12" V.P. 24 lin.ft.
 C.B. 1
 I.B. 1



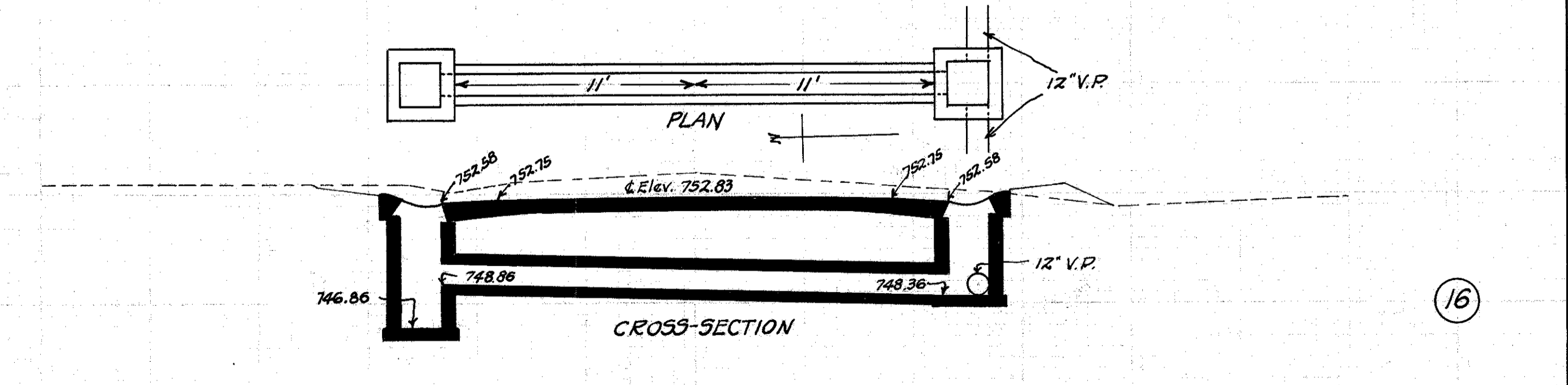
CULVERT DATA
 Type: Std. V.S.P. culvert Dr. #300
 Size: 12" x 24"
 Work Req.: Build 12" x 24' Std. V.P.(enc) culvert.
 C.B. on L I.B. on R.
 Drawn by Cumings + Plummer. Checked by
 Date 3/31/28 Date Div'n. Engr. Sta. 79+50

EST. QUANTITIES
 Exc. 7.4 cu.yds
 Con. I-B 2.38 cu.yds
 12" V.P. 24 lin.ft.
 C.B. 1
 I.B. 1



CULVERT DATA
 Type: Std. V.S.P. culvert Dr. #300
 Size: 12" x 24"
 Work Req.: Build 12" x 24' Std. V.P.(enc) culvert
 C.B. on L I.B. on R.
 Drawn by Cumings + Plummer. Checked by
 Date 3/31/28 Date Div'n. Engr. Sta. 62+0

EST. QUANTITIES
 Exc. 8.8 cu.yds
 Con. I-B 2.38 cu.yds
 12" V.P. 24 lin.ft.
 C.B. 1
 I.B. 1



CULVERT DATA
 Type: Std. V.S.P. culvert Dr. #300
 Size: 12" x 24"
 Work Req.: Build 12" x 24' Std. V.P.(enc) culvert
 C.B. on L I.B. on R.
 Drawn by Cumings + Plummer. Checked by
 Date 3/31/28 Date Div'n. Engr. Sta. 74+75

EST. QUANTITIES
 Exc. 8.8 cu.yds
 Con. I-B 2.38 cu.yds
 12" V.P. 24 lin.ft.
 C.B. 1
 I.B. 1