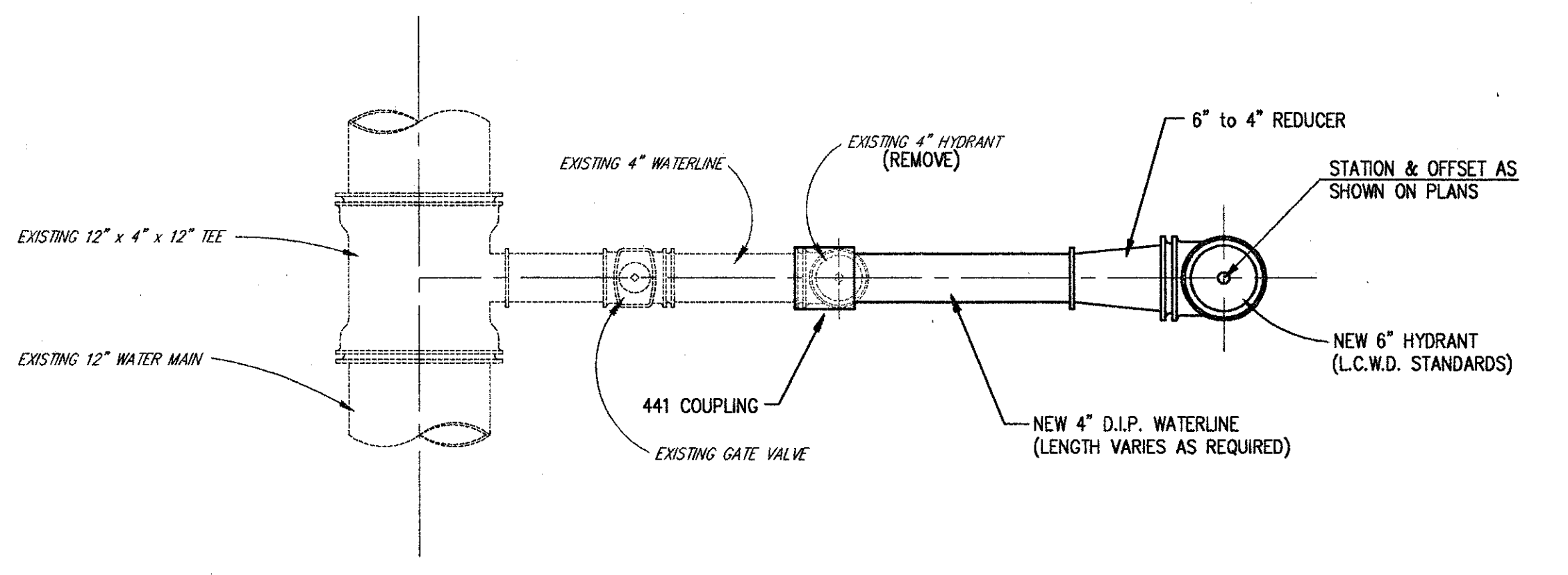


SUBMISSIONS / REVISIONS	

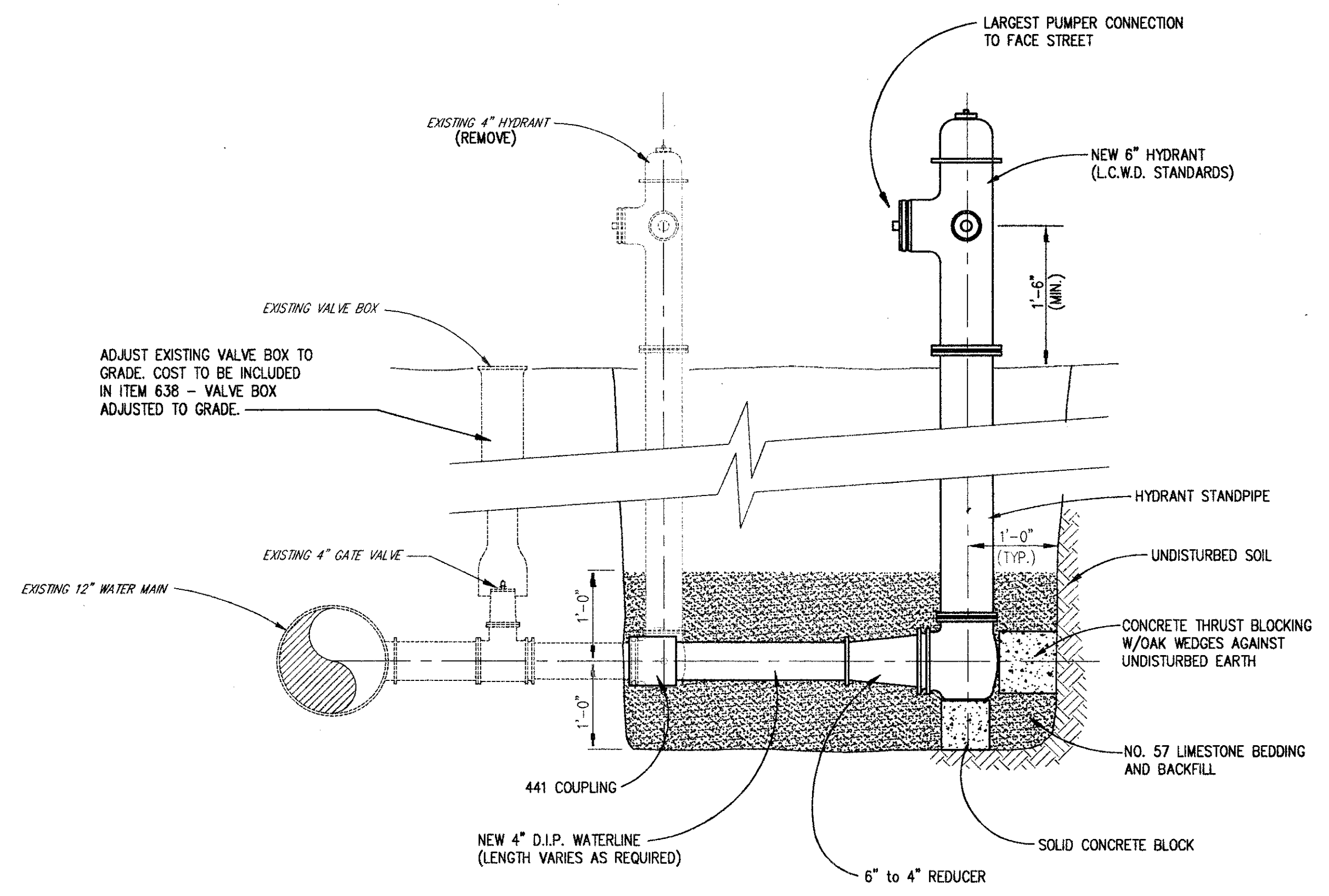
**VINE STREET (S.R. 640) ROADWAY  
 WIDENING IMPROVEMENTS**  
 CITIES OF WILLOWICK & EASTLAKE, LAKE COUNTY, OHIO  
**WATERLINE DETAILS**

**CT Consultants, Inc.**  
 Engineers • Architects • Planners  
 Willoughby • Mentor • Columbus • North Canton • Youngstown

DATE:	JANUARY, 2000
DRAWN BY:	J.J.C.
CHECKED BY:	C.C.H.
APPROVED BY:	
SCALE:	
HOR.:	N.T.S.
VERT.:	
CONTRACT No.	
<b>9840624</b>	
SHEET NO.	OF
<b>39</b>	<b>52</b>



PLAN VIEW

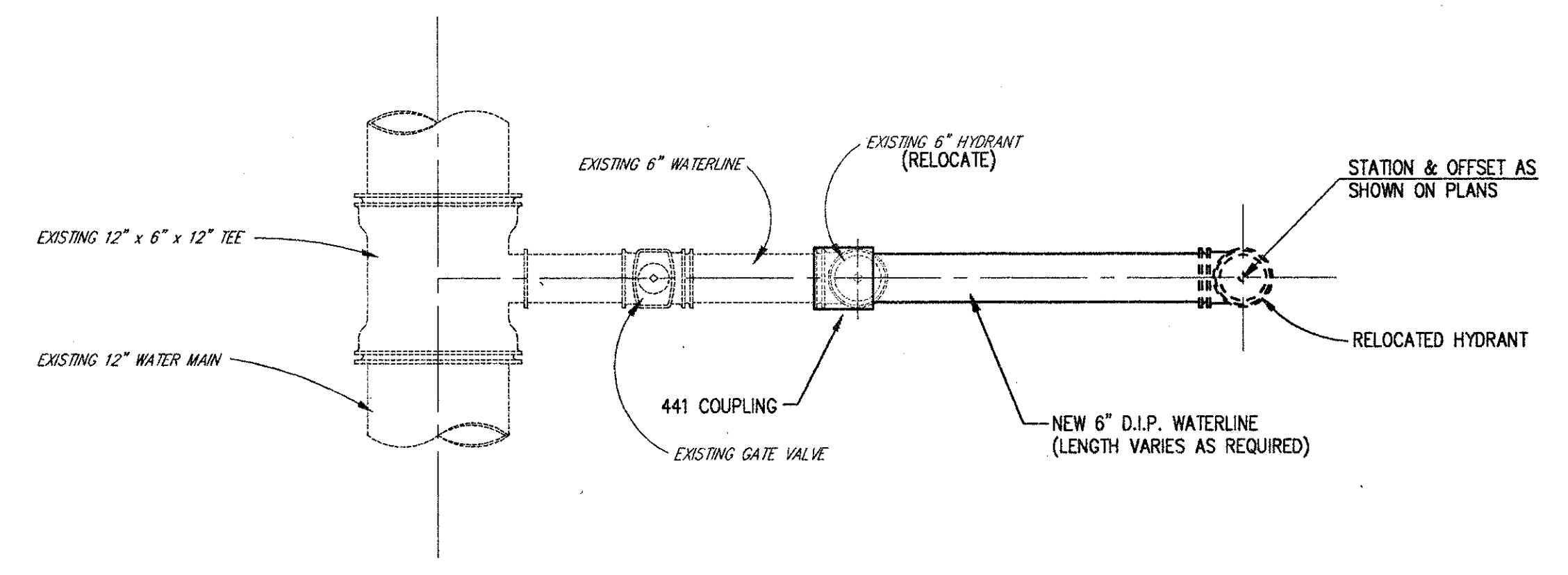


ELEVATION VIEW

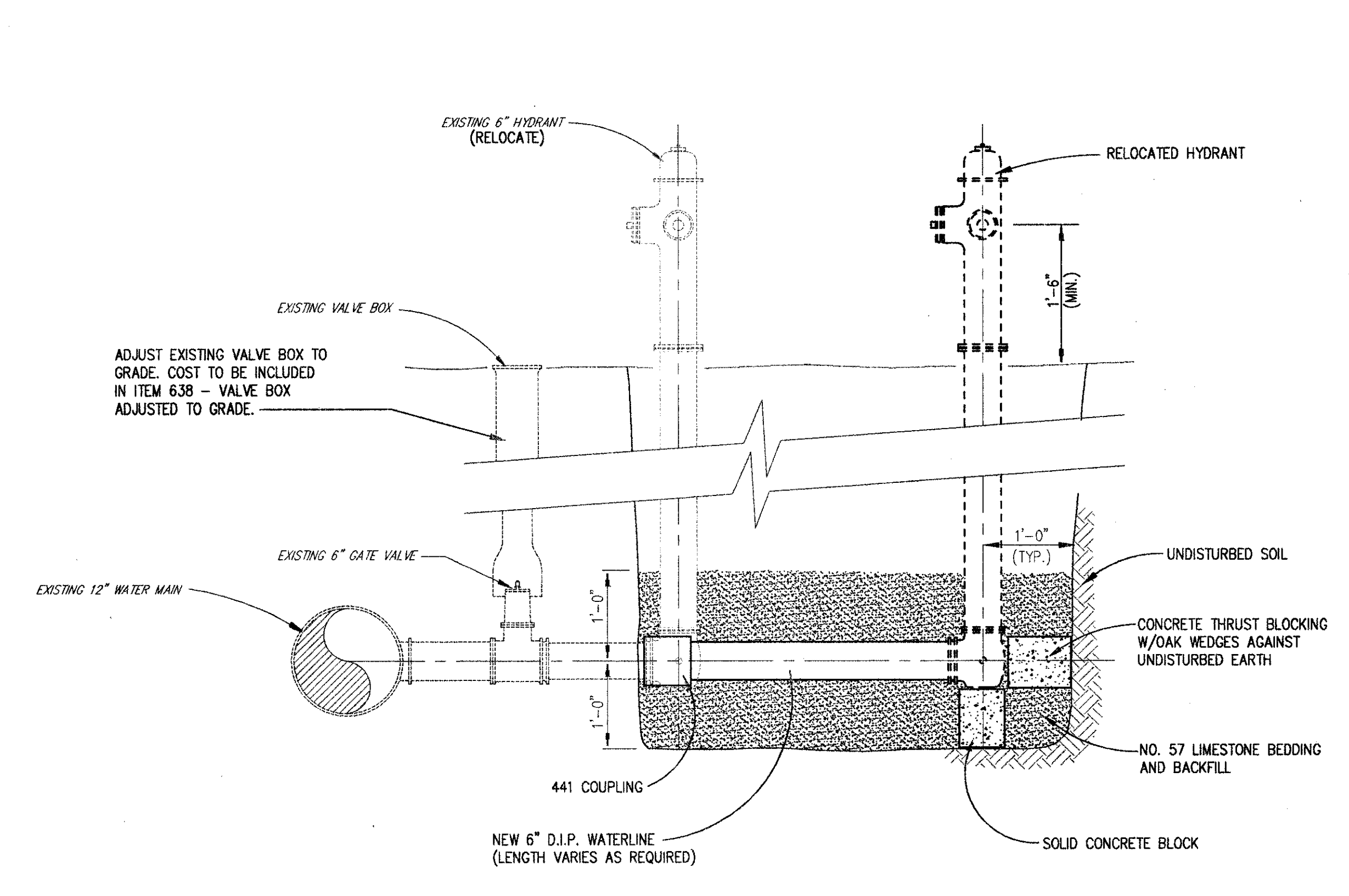
**ITEM SPEC. – HYDRANT REMOVED AND REPLACED**

THE CONTRACTOR SHALL CAREFULLY REMOVE THE EXISTING HYDRANT, EXTEND THE 4" WATERLINE AND INSTALL A 6" TO 4" REDUCER AND NEW 6" FIRE HYDRANT AT THE LOCATIONS CALLED OUT ON THE PLAN SHEETS. ALL NEW WATERLINE MATERIAL AND FITTINGS SHALL BE PER LAKE COUNTY WATER DEPARTMENT STANDARDS. THE CONTRACTOR SHALL BE RESPONSIBLE FOR THE DISPOSAL OF THE EXISTING HYDRANT.

ALL COSTS ASSOCIATED WITH THIS WORK INCLUDING EXCAVATION; GRANULAR BACKFILL; FITTINGS; NUTS; BOLTS; ZINC PROTECTO CAPS; HYDRANT INLET PIPE AND EXTENSION; DEWATERING; SHEETING OR SHORING; PIPE BEDDING AND PIPE BACKFILL; DISPOSAL OF WASTE MATERIALS; PROTECTION OF STRUCTURES, UTILITIES, SERVICE CONNECTIONS OR OTHER FACILITIES; THRUST BLOCKING; JOINT RESTRAINTS; TESTING; FLUSHING; STERILIZING; AND PAINTING OF ALL HYDRANTS, TOGETHER WITH ALL LABOR, EQUIPMENT, TOOLS, AND MATERIALS NECESSARY TO COMPLETE THE WORK AS SHOWN, SPECIFIED OR AS DIRECTED BY THE ENGINEER SHALL BE INCLUDED IN ITEM SPEC. – HYDRANT REMOVED AND REPLACED



PLAN VIEW



ELEVATION VIEW

**ITEM SPEC. – HYDRANT REMOVED AND RELOCATED**

THE CONTRACTOR SHALL CAREFULLY REMOVE THE EXISTING HYDRANT, EXTEND THE 6" WATERLINE AND INSTALL THE RELOCATED FIRE HYDRANT AT THE LOCATION CALLED OUT ON THE PLANS. ALL NEW WATERLINE MATERIAL AND FITTINGS SHALL BE PER LAKE COUNTY WATER DEPARTMENT STANDARDS.

ALL COSTS ASSOCIATED WITH THIS WORK INCLUDING EXCAVATION; GRANULAR BACKFILL; FITTINGS; NUTS; BOLTS; ZINC PROTECTO CAPS; HYDRANT INLET PIPE AND EXTENSION; DEWATERING; SHEETING OR SHORING; PIPE BEDDING AND PIPE BACKFILL; DISPOSAL OF WASTE MATERIALS; PROTECTION OF STRUCTURES, UTILITIES, SERVICE CONNECTIONS OR OTHER FACILITIES; THRUST BLOCKING; JOINT RESTRAINTS; TESTING; FLUSHING; STERILIZING; AND PAINTING OF ALL HYDRANTS, TOGETHER WITH ALL LABOR, EQUIPMENT, TOOLS, AND MATERIALS NECESSARY TO COMPLETE THE WORK AS SHOWN, SPECIFIED OR AS DIRECTED BY THE ENGINEER SHALL BE INCLUDED IN ITEM SPEC. – HYDRANT REMOVED AND RELOCATED

COPYRIGHT - DATE: 01-04-00 08:16, CT CONSULTANTS INC. H:\1999\64024\DWG\WATER\_2.DWG PLOT: 1-20