

| SUBMISSIONS / REVISIONS | |
|-------------------------|--|
| | |
| | |
| | |
| | |

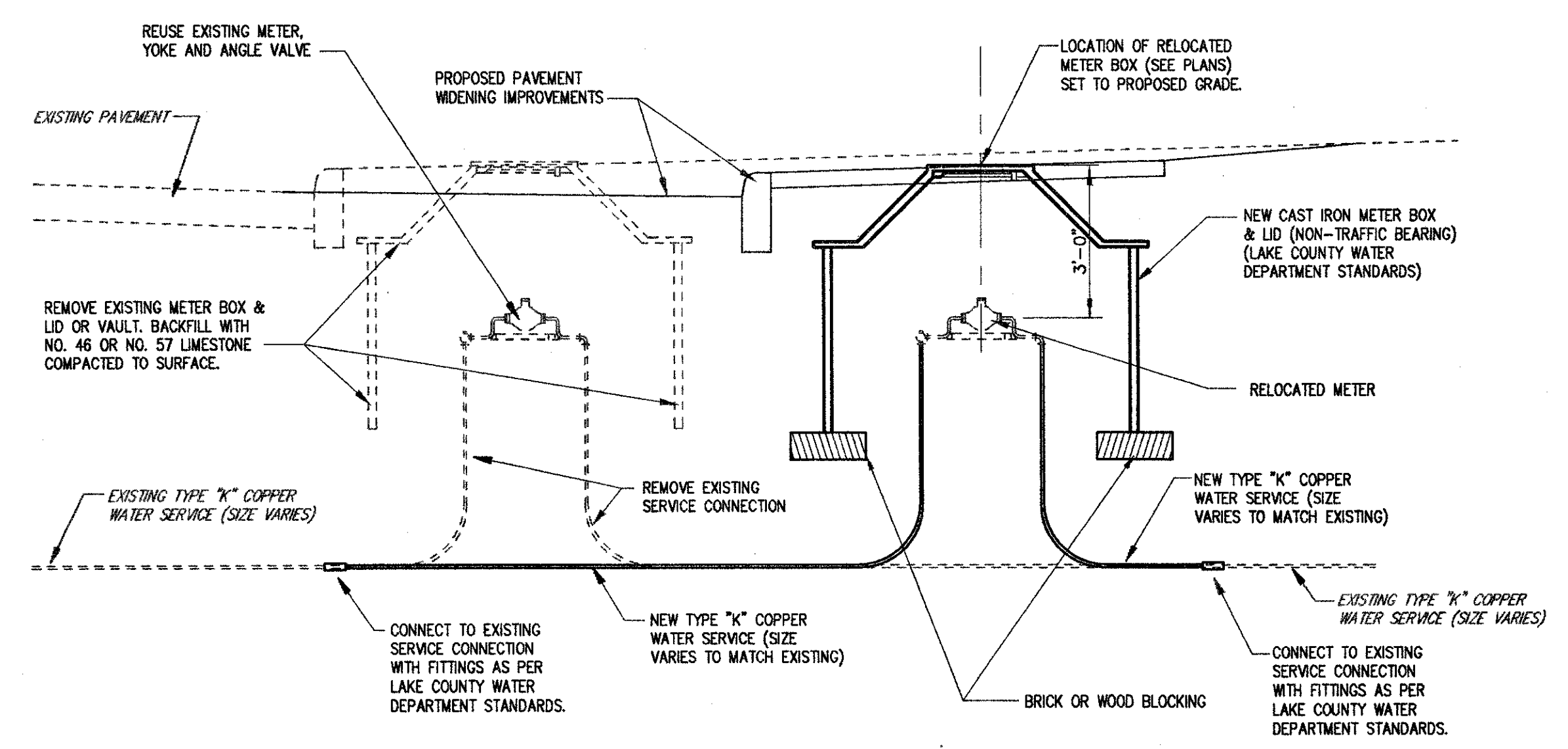
VINE STREET (S.R. 640) ROADWAY WIDENING IMPROVEMENTS
 CITIES OF WILLOWICK & EASTLAKE, LAKE COUNTY, OHIO
WATERLINE DETAILS

CT Consultants, Inc.
 Engineers • Architects • Planners
 Willoughby • Mentor • Columbus • North Canton • Youngstown

| | |
|----------------|---------------|
| DATE: | JANUARY, 2000 |
| DRAWN BY: | J.J.C. |
| CHECKED BY: | C.C.H. |
| APPROVED BY: | |
| SCALE: | N.T.S. |
| HOR.: | |
| VERT.: | |
| CONTRACT NO.: | |
| 9840624 | |
| SHEET NO.: | OF |
| 38 | 52 |

LAKE COUNTY WATER DEPARTMENT NOTES

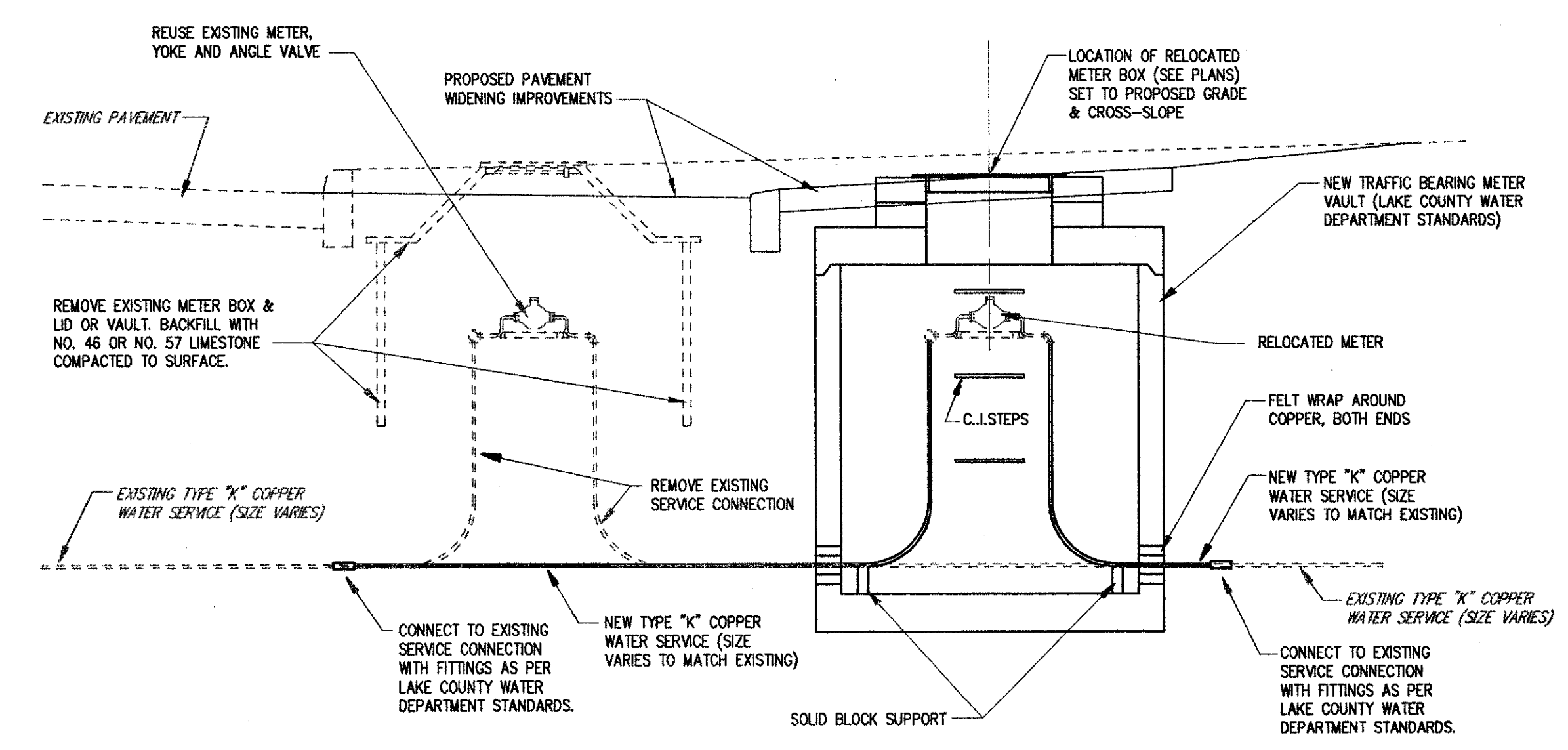
- 1.) ALL WATERLINES WITHIN THE PROJECT AREA BELONG TO LAKE COUNTY AND FALL UNDER THE CONTROL OF THEIR WATER DEPARTMENT.
- 2.) ANY AND ALL CONSTRUCTION OF WATERLINE FACILITIES REQUIRED BY THIS PROJECT IS TO BE GOVERNED BY THE LAKE COUNTY STANDARD WATERLINE SPECIFICATIONS.
- 3.) THE CONTRACTOR SHALL NOTIFY THE LAKE COUNTY WATER DEPARTMENT (LCWD) AT LEAST 48 HOURS IN ADVANCE OF ANY WORK ON THEIR SYSTEMS.
- 4.) WATERLINE RELATED INSPECTION SERVICES SHALL BE PERFORMED BY THE LAKE COUNTY WATER DEPARTMENT. THE COST OF INSPECTION SHALL BE INCLUDED AS PART OF THIS CONSTRUCTION PROJECT AT A RATE OF \$275.00 PER 8 HOUR DAY. COST FOR LAKE COUNTY INSPECTION FEE AND OTHER FEES SHALL BE INCLUDED IN THE UNIT PRICES BID FOR OTHER WATERLINE ITEMS.
- 5.) ALL HYDRANTS SHALL BE POSITIONED SO THAT THE STEAMER NOZZLES POINT IN THE DIRECTION OF THE STREET.
- 6.) THE PROPOSED WATERLINE SHALL HAVE 5' MINIMUM COVER OVER THE TOP OF PIPE AT ALL PLACES, EXCEPT AT SPECIFIC HYDRANT TEE LOCATIONS AS SHOWN ON THE PLANS.
- 7.) ZINC ANODE THREADED CAPS SHALL BE USED ON EVERY BOLT.
- 8.) ALL SHOP DRAWINGS SHALL BE SUBMITTED TO THE ENGINEER FOR PRELIMINARY CHECKING. THE ENGINEER SHALL FORWARD CHECKED SHOP DRAWINGS TO THE LCWD FOR FINAL CHECKING AND APPROVAL.
- 9.) ALL WATER MAIN PIPE SHALL BE DUCTILE IRON PIPE, ANSI A21.51, THICKNESS CLASS 53, UNLESS OTHERWISE SHOWN ON THE PLANS, WITH PUSH-ON JOINTS, CEMENT LINED ANSI A 21.4. FITTINGS TO BE FULL BODY DUCTILE IRON MECHANICAL JOINTS ANSI 21.11 UNLESS OTHERWISE SHOWN ON THE PLANS.
- 10.) ALL BACKFILL UNDER PAVEMENT AND DRIVEWAYS TO BE O.D.O.T. NO. 10 LIMESTONE.



ITEM SPEC. - RELOCATE WATER METER & BOX, TYPE "A"
(FOR NON-TRAFFIC BEARING AREAS)

THIS ITEM SHALL INCLUDE FURNISHING ALL LABOR, MATERIALS AND EQUIPMENT NECESSARY TO RELOCATE THE EXISTING WATER METER AND PROVIDE A NEW WATER METER BOX AND LID IN ACCORDANCE WITH THE LAKE COUNTY WATER DEPARTMENT STANDARDS, INCLUDING EXCAVATION, DEWATERING, SHEETING, BACKFILL AND ALL OTHER INCIDENTAL MATERIALS AND/OR EXPENSES REQUIRED, WHETHER SPECIFICALLY MENTIONED OR NOT.

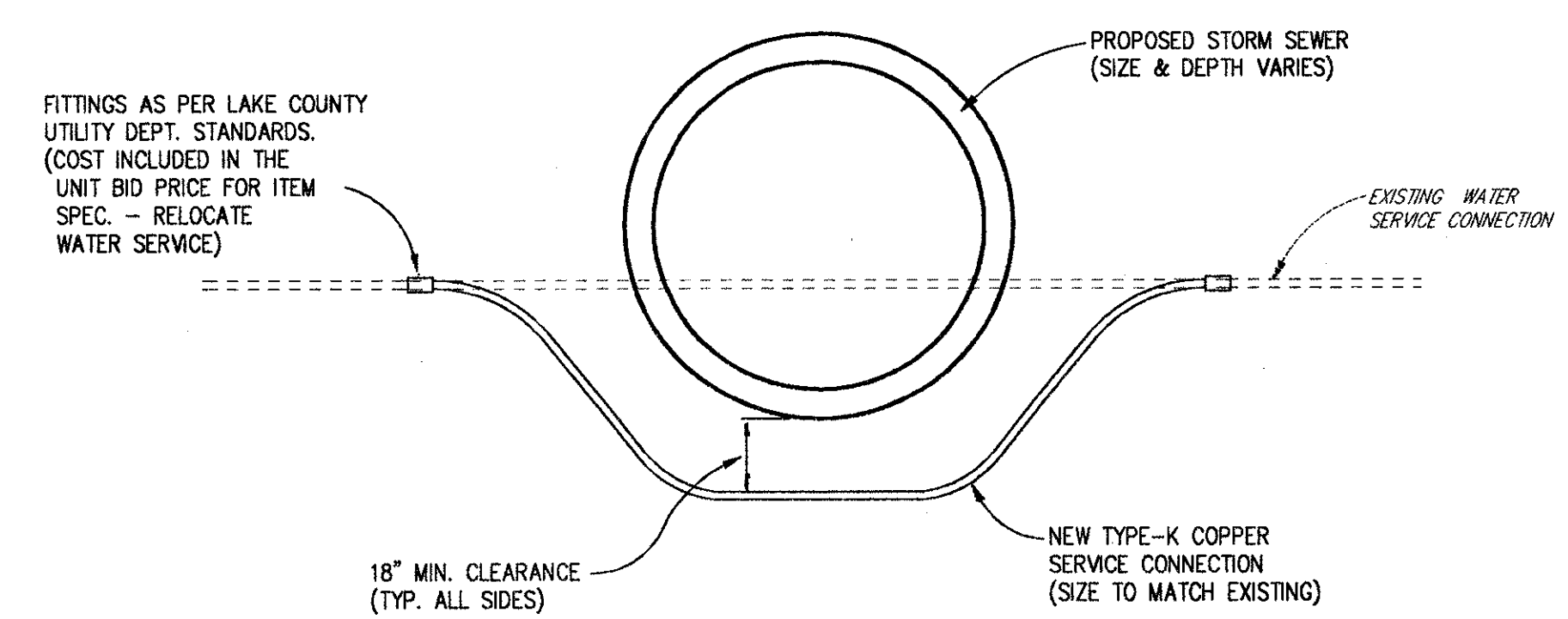
PAYMENT WILL BE MADE ON A UNIT BASIS FOR EACH METER BOX RELOCATED, TESTED AND READY FOR SERVICE.



ITEM SPEC. - RELOCATE WATER METER & BOX, TYPE "B"
(FOR TRAFFIC BEARING AREAS)

THIS ITEM SHALL INCLUDE FURNISHING ALL LABOR, MATERIALS AND EQUIPMENT NECESSARY TO RELOCATE THE EXISTING WATER METER AND PROVIDE A NEW WATER METER VAULT IN ACCORDANCE WITH THE LAKE COUNTY WATER DEPARTMENT STANDARDS, INCLUDING EXCAVATION, DEWATERING, SHEETING, BACKFILL AND ALL OTHER INCIDENTAL MATERIALS AND/OR EXPENSES REQUIRED, WHETHER SPECIFICALLY MENTIONED OR NOT.

PAYMENT WILL BE MADE ON A UNIT BASIS FOR EACH METER BOX RELOCATED, TESTED AND READY FOR SERVICE.



WATER SERVICE RELOCATION DETAIL

NOTE: THE FOLLOWING QUANTITY HAS BEEN INCLUDED IN THE PLANS AS A CONTINGENCY ITEM FOR USE AS DIRECTED BY THE ENGINEER TO RELOCATE WATER SERVICE CONNECTIONS THAT CONFLICT WITH THE NEW STORM SEWER INSTALLATION:
 ITEM SPEC. - RELOCATE WATER SERVICE 100 L.F.

COPYRIGHT - DATE: 02-14-00 13:57, CT CONSULTANTS INC. H:\1998\WILLOWICK\WIDENING\WATERLINE.DWG PLOT: 1-20