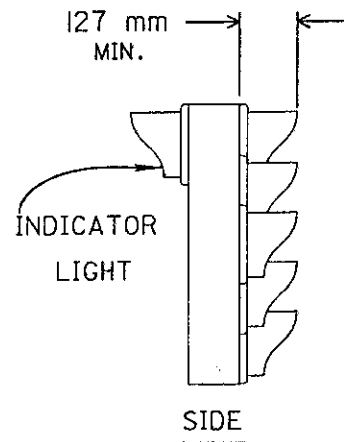
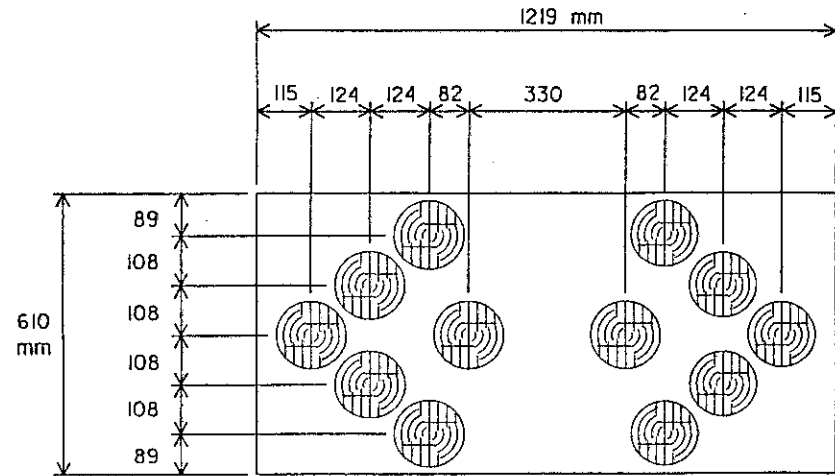
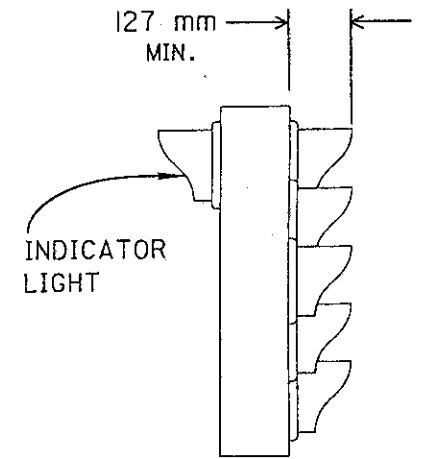
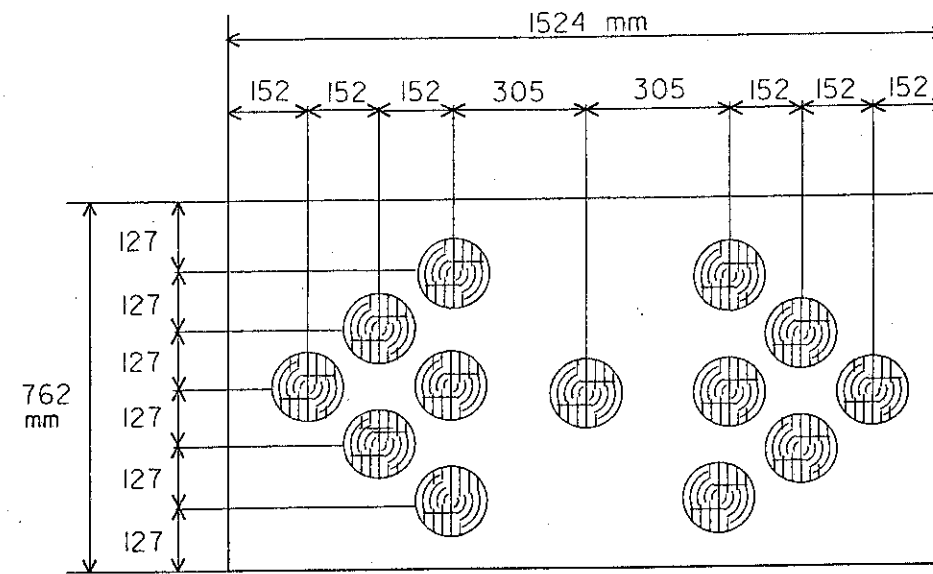


ALL MEASUREMENTS ARE IN MILLIMETERS



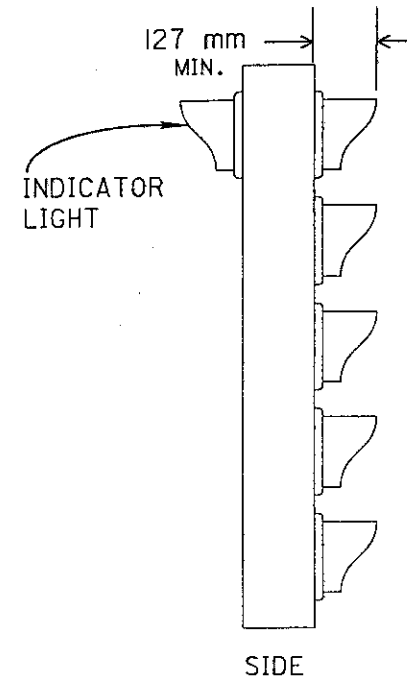
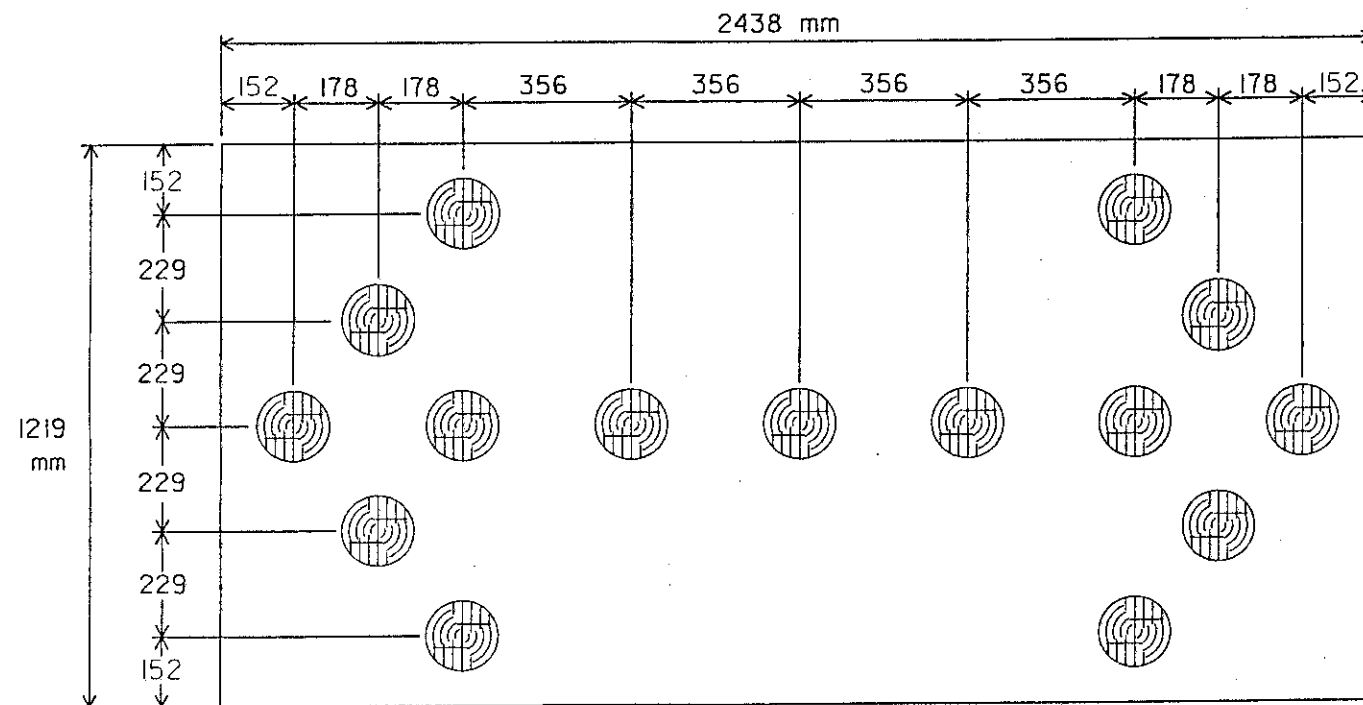
FRONT  
TYPE A PANEL

ALL MEASUREMENTS ARE IN MILLIMETERS



FRONT  
TYPE B PANEL

ALL MEASUREMENTS ARE IN MILLIMETERS



FRONT  
TYPE C PANEL

M E T R I C

(SEE MT-35.11M FOR NOTES)

BUREAU OF DESIGN SERVICES DIVISION OF HIGHWAYS OHIO DEPARTMENT OF TRANSPORTATION	
MAINTENANCE OF TRAFFIC	DATE 01/30/95
FLASHING ARROW PANEL	
STANDARD CONSTRUCTION DRAWING	MT-35.10M
APPROVED <i>[Signature]</i>	ENGR. OF DESIGN SERVICES