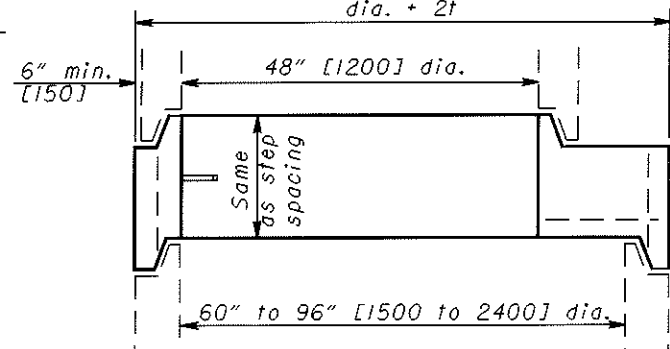
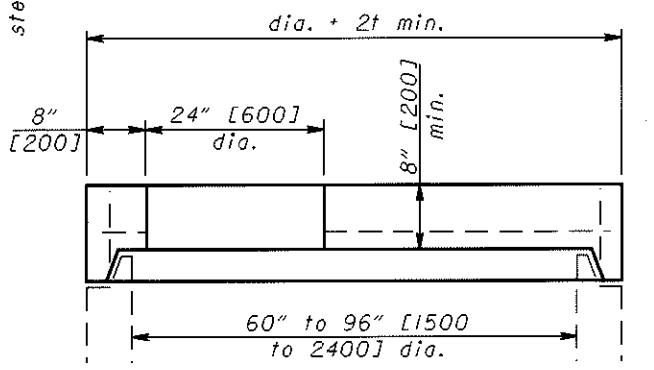
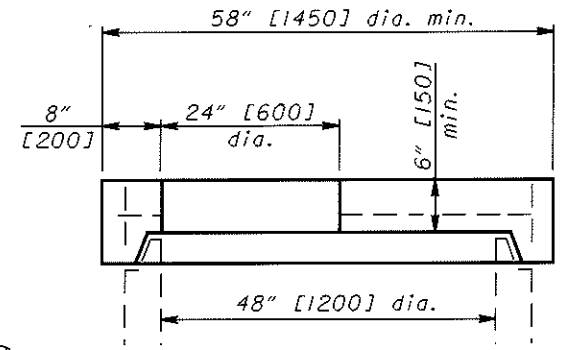
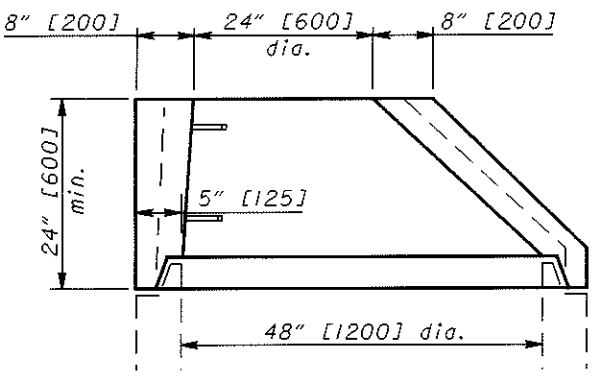
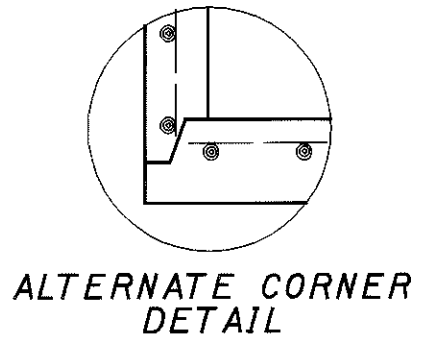


60" to 108" [1500 to 2750] PRECAST BASE
SEE TABLE FOR MAXIMUM PIPE SIZES

48" [1200] PRECAST BASE
FOR 30" [750] AND SMALLER PIPE

SECTION VIEWS OF REINFORCED PRECAST MANHOLES



NOTES

GENERAL: With normal soil and site conditions this standard precast manhole may be used for any required manhole depth.
Sections of the precast manhole shall be cast and assembled with either all tongue or all groove ends up. Lift holes may be provided in each section for handling.
Handling device for the flat slab shall be left in place.

TOP AND TRANSITION (OR REDUCER): This section shall be a flat slab unless an eccentric cone is specified.

BASE: Manhole No. 3 is shown with a monolithic floor and riser which may be cast in one or two operations. A permissible alternate is to cast and ship the floor and barrel separately. Openings for inlet and outlet pipes shall be provided, either when the unit is cast or later, to meet project requirements. Bottom channels may be formed of concrete, precast in the base or field constructed as shown on **SCD MH-1.I** and **MH-3.J**.

RISER SECTIONS: Openings for 18" [450] and smaller inlet pipes may be either prefabricated, or cut in the field provided the sides of the pipe at the springline do not project into the manhole.

CONNECTIONS: Connections between precast manhole sections and pipes on sanitary sewers may be sealed with resilient connectors conforming to ASTM C 923.

JOINT SEAL: Seal between precast manhole sections on sanitary sewers shall be resilient and flexible gasket joints per CMS 706.11.

MATERIALS: Materials for bases and other precast sections, including reinforcement not specified hereon, shall comply with the requirements of CMS 706.13.

DROP PIPE: When specified on the plans, drop pipe shall be constructed as shown on **SCD MH-3.I**.

STEPS, FRAMES AND COVERS: Shall comply with the requirements set forth on **SCD MH-1.I**.

LEGEND

[1] Grade rings shall be used on sanitary sewers.

MAXIMUM PIPE SIZES		
BASE I.D.	MIN. "t"	MAX. PIPE SIZE
60" [1500]	5" [125]	36" [900]
72" [1800]	6" [150]	48" [1200]
84" [2100]	7" [175]	54" [1350]
90" [2250]	7½" [190]	60" [1500]
96" [2400]	8" [200]	66" [1650]
108" [2750]	9" [230]	72" [1800]

THIS DRAWING REPLACES MH-1.2M DATED 9-6-95.

ROADWAY ENGINEERING SERVICES
 STANDARD ROADWAY CONSTRUCTION DRAWING
 MANHOLE No. 3
 NUMBER MH-1.2
 STDS. ENGR. D. Focke
 DRAWN D. Focke
 REVISIONS
 CIVIL DEPARTMENT OF TRANSPORTATION
 7-20-01
 ROADWAY DESIGN ENGINEER DATE