

STRAW OR HAY BALES

NOTES

BALE PLACEMENT: Bales shall be tightly placed adjacently and entrenched 2" [50] to 3" [75] before staking; or a small amount of loose soil shall be lightly compacted along the upstream edge of the bales.

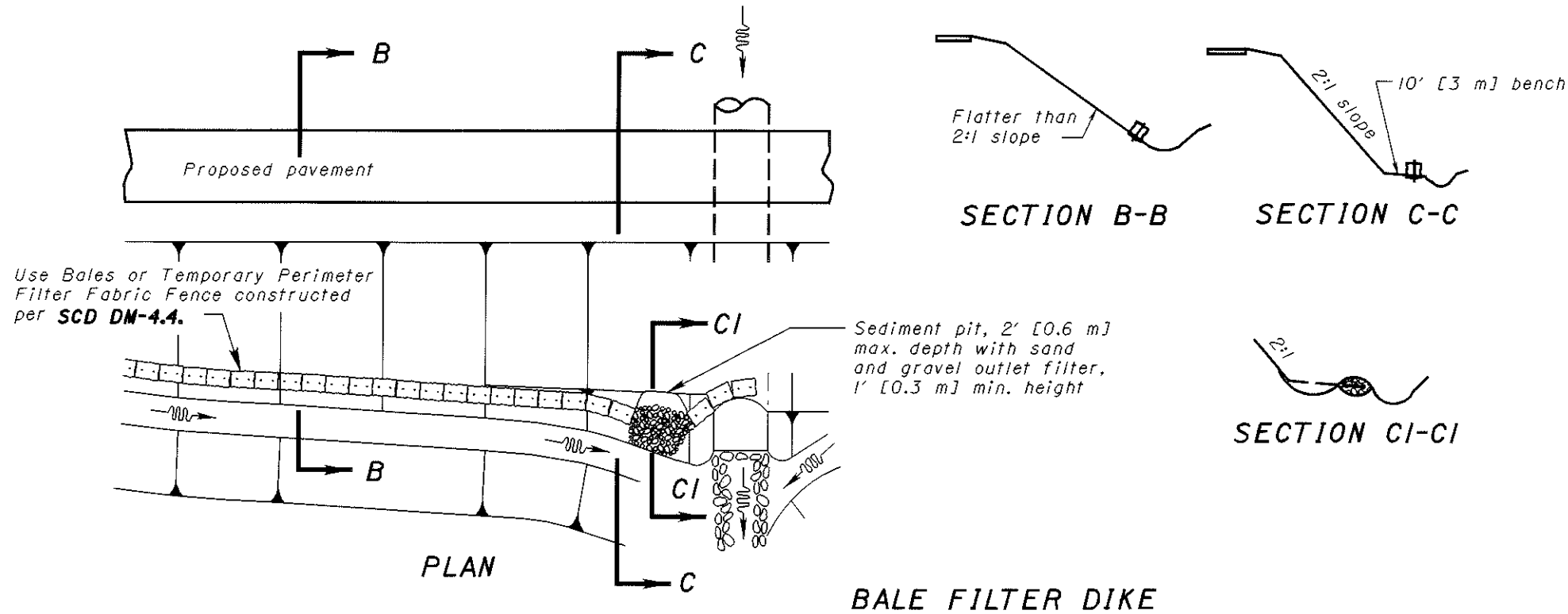
Each bale shall be firmly staked with a minimum of two stakes at least 3' [1 m] in length. Stakes shall be wooden 2"x2" [50x50], reinforcing bars, or fence posts.

Loose straw or hay shall be wedged between and under staked bales.

PITS: Sediment pits shall be provided and their cost included in the unit price bid for the adjacent SS 877 items.

MAINTENANCE: The maintenance or replacement will be paid for by the Department under unit bid prices, agreed unit price, or under CMS 109.04.

BASIS OF PAYMENT: Straw or hay bale installation shall be paid for under **Item 877 - Temporary Perimeter Filter Fabric Fence**. Cost will include placing, staking and removing.



SEDIMENT BASINS & DAMS

NOTES

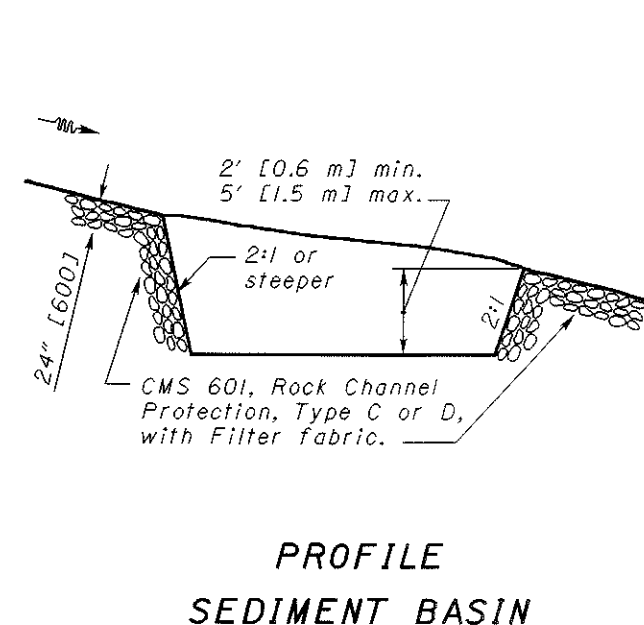
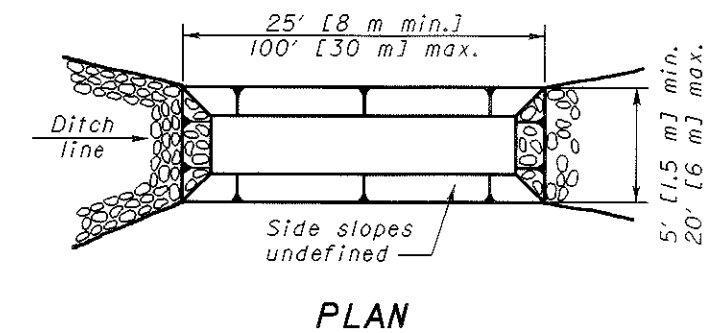
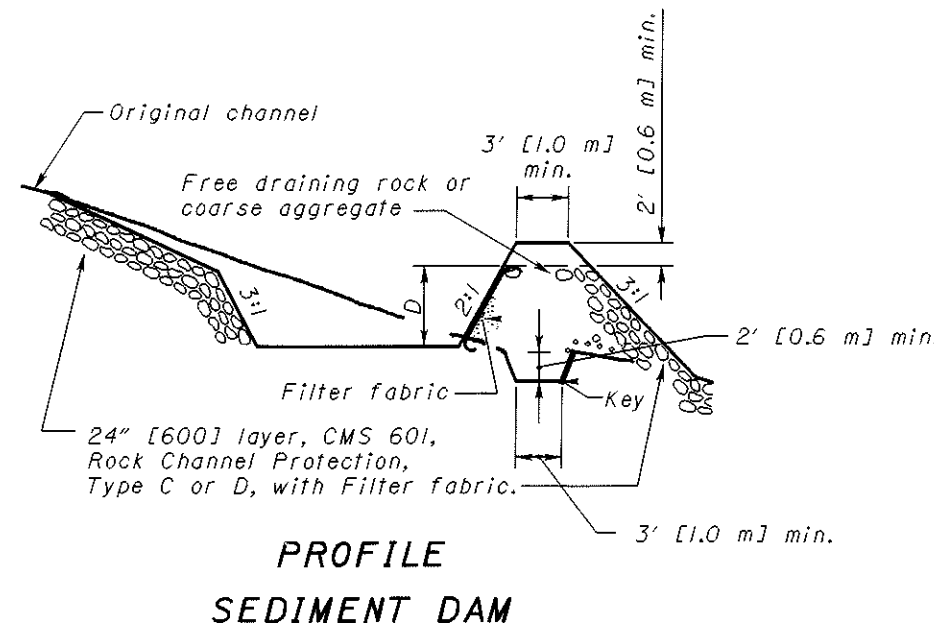
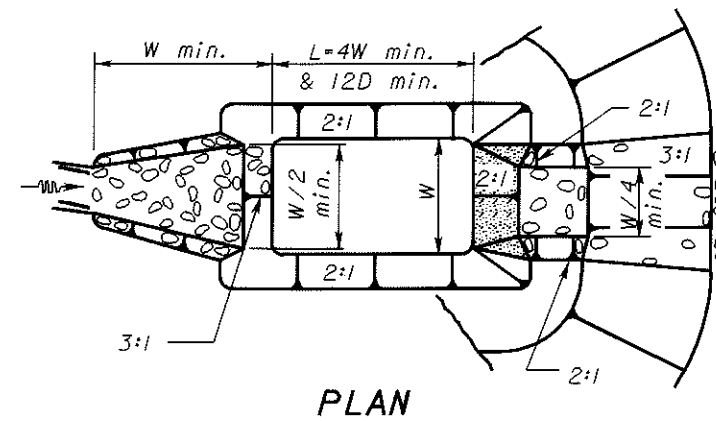
EMBANKMENT: Sediment basin embankment construction shall be per CMS 203.

FILTERS: Filter fabric shall be per CMS 601.02 and installed per CMS 601.08 or as detailed here. Such fabrics may be cleaned in lieu of replacement. The cost of all filter fabric required to construct the sediment basin or dam shall be included in the cost of Item 601, Rock Channel Protection, with Filter Fabric.

SIZE: The volume shown on the plans is the total storage volume required for the sediment basin or dam (67 cubic yards per acre [125 cubic meters per hectare]). A series of smaller basins or dams may be substituted for a larger basin or dam.

MAINTENANCE: Sediment pits, dams and basins shall be accept ably maintained. The maintenance or replacement costs will be paid for by the Department under unit bid prices, agreed unit prices, or CMS 109.04.

BASIS OF PAYMENT: Sediment Dams and Basins shall be paid for under **Item 877 - Temporary Dikes**. The pay quantity shall be the actual number of cubic yards [cubic meters] of excavation and embankment required to construct the basin or dam. Rock required shall be paid for under **Item - 601, Rock Channel Protection, Type C or D, with Filter**.



REVISIONS 7-20-01

STDS. ENGR. D. Focke

DRAWN D. Focke

ROADWAY ENGINEERING SERVICES

TEMPORARY EROSION CONTROL

DM-4.3

1/2