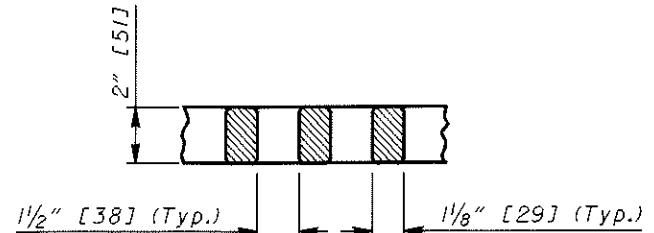
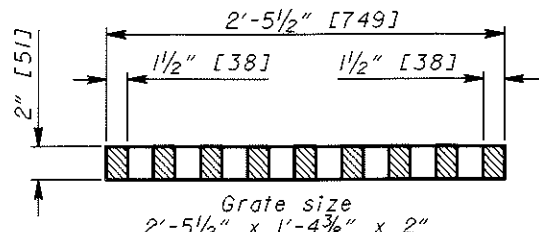


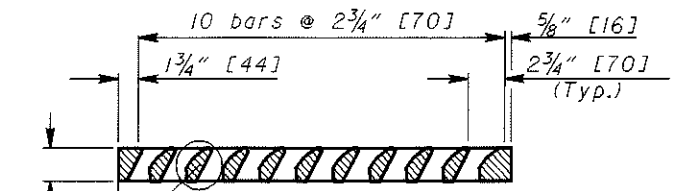
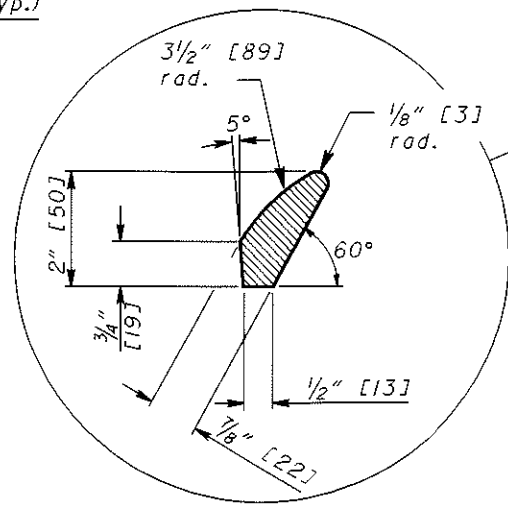
PLAN



SECTION D-D  
(See Sht. 1/2.)

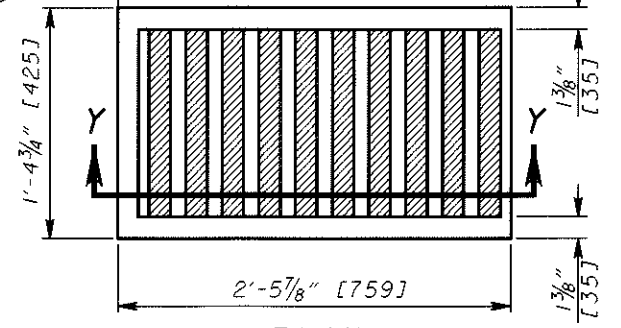


SECTION C-C  
DIAGONAL GRATE  
(See Sht. 1/2.)

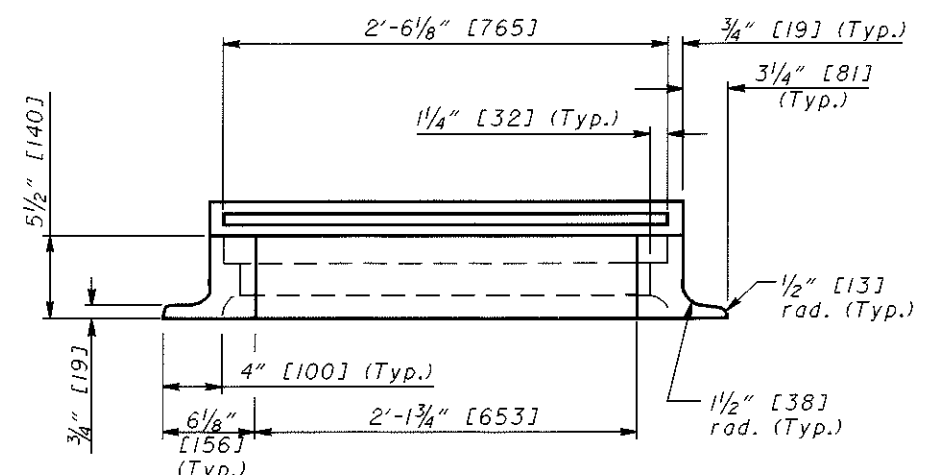


SECTION Y-Y

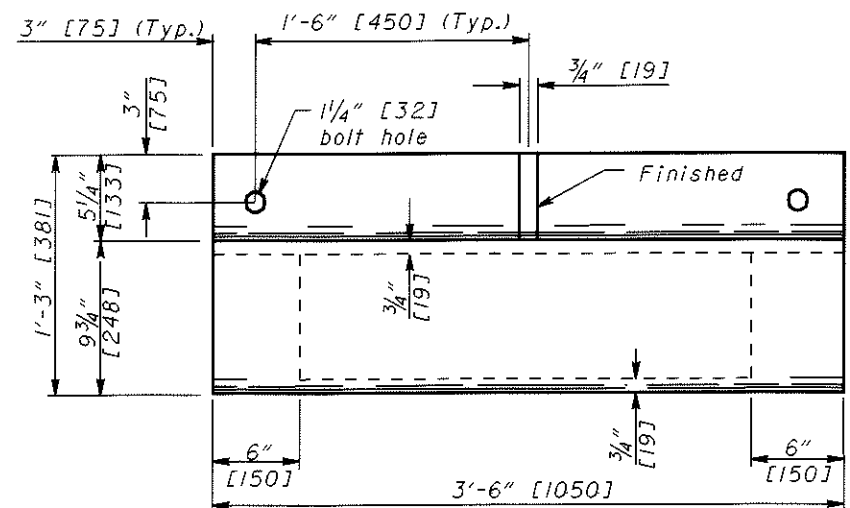
Direction of flow for grate as shown



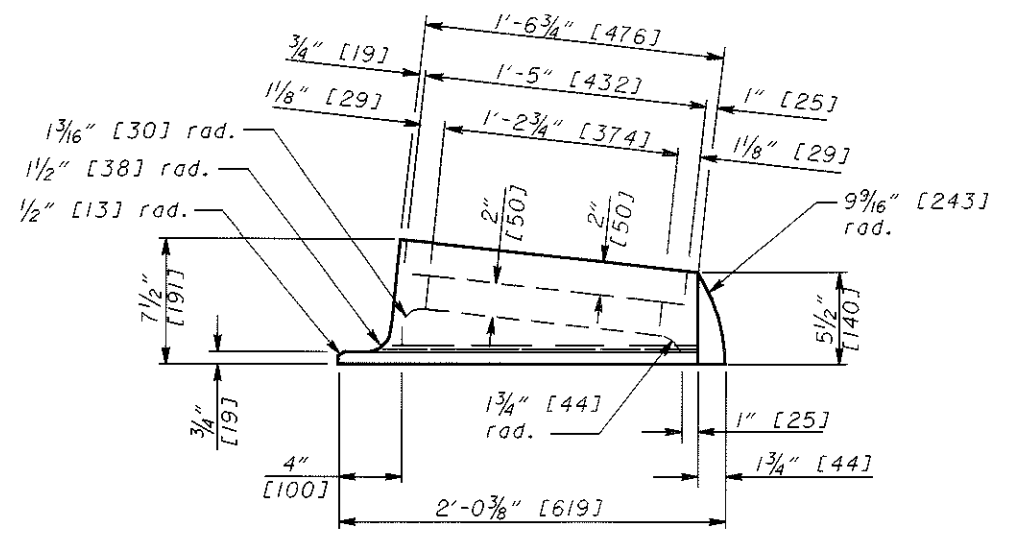
PLAN  
GRATE "V"



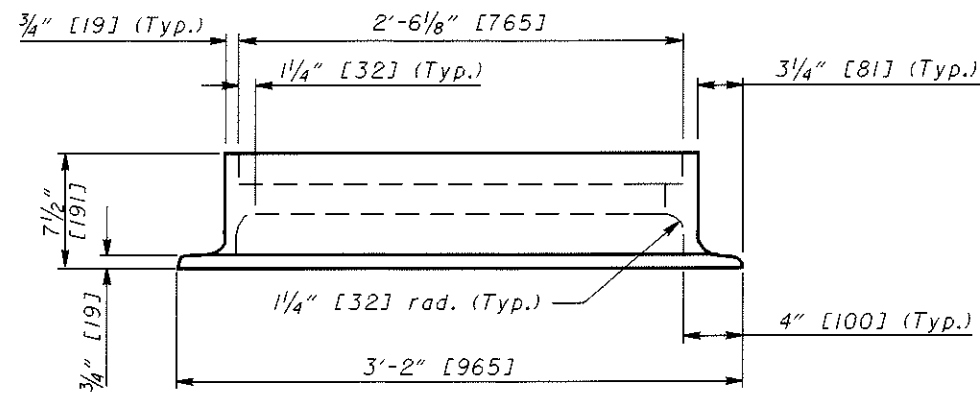
BACK VIEW



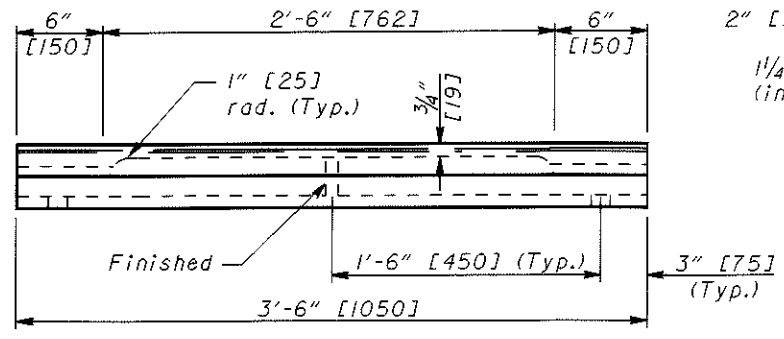
PLAN



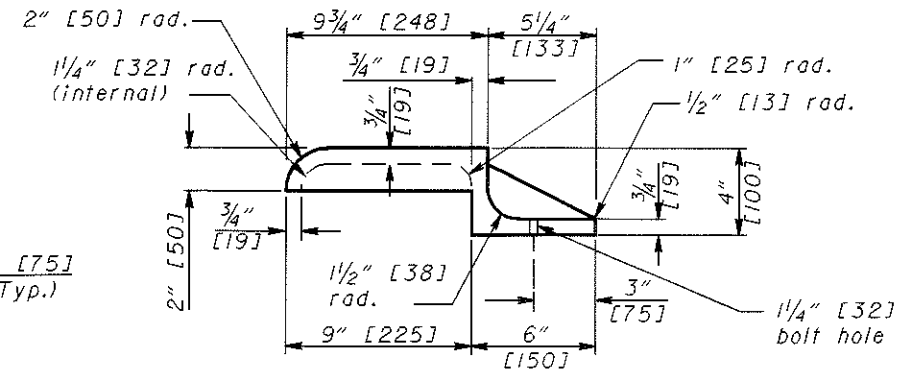
END VIEW FRAME



FRONT VIEW  
FRAME



FRONT VIEW  
CURB CASTING



END VIEW  
CURB CASTING

THIS DRAWING REPLACES CB-2.2M DATED 7-12-95.

|  |         |                                   |
|--|---------|-----------------------------------|
| STDS. ENGR.  | REVISED | OHIO DEPARTMENT OF TRANSPORTATION |
| D. FOCKE   |         | Lawrence T. Scharber              |
| DRAWN  |         | ROADWAY DESIGN ENGINEER           |
| D. FOCKE   |         | DATE                              |
|  |         | 7-20-01                           |
| All metric dimensions (in brackets [ ]) are in millimeters unless otherwise noted. |         |                                   |
| ROADWAY ENGINEERING SERVICES   |         |                                   |
| STANDARD ROADWAY CONSTRUCTION DRAWING  |         |                                   |
| CATCH BASIN No. 3A   |         |                                   |
| NUMBER   | CB-2.2  |                                   |
| 2  | 2       |                                   |