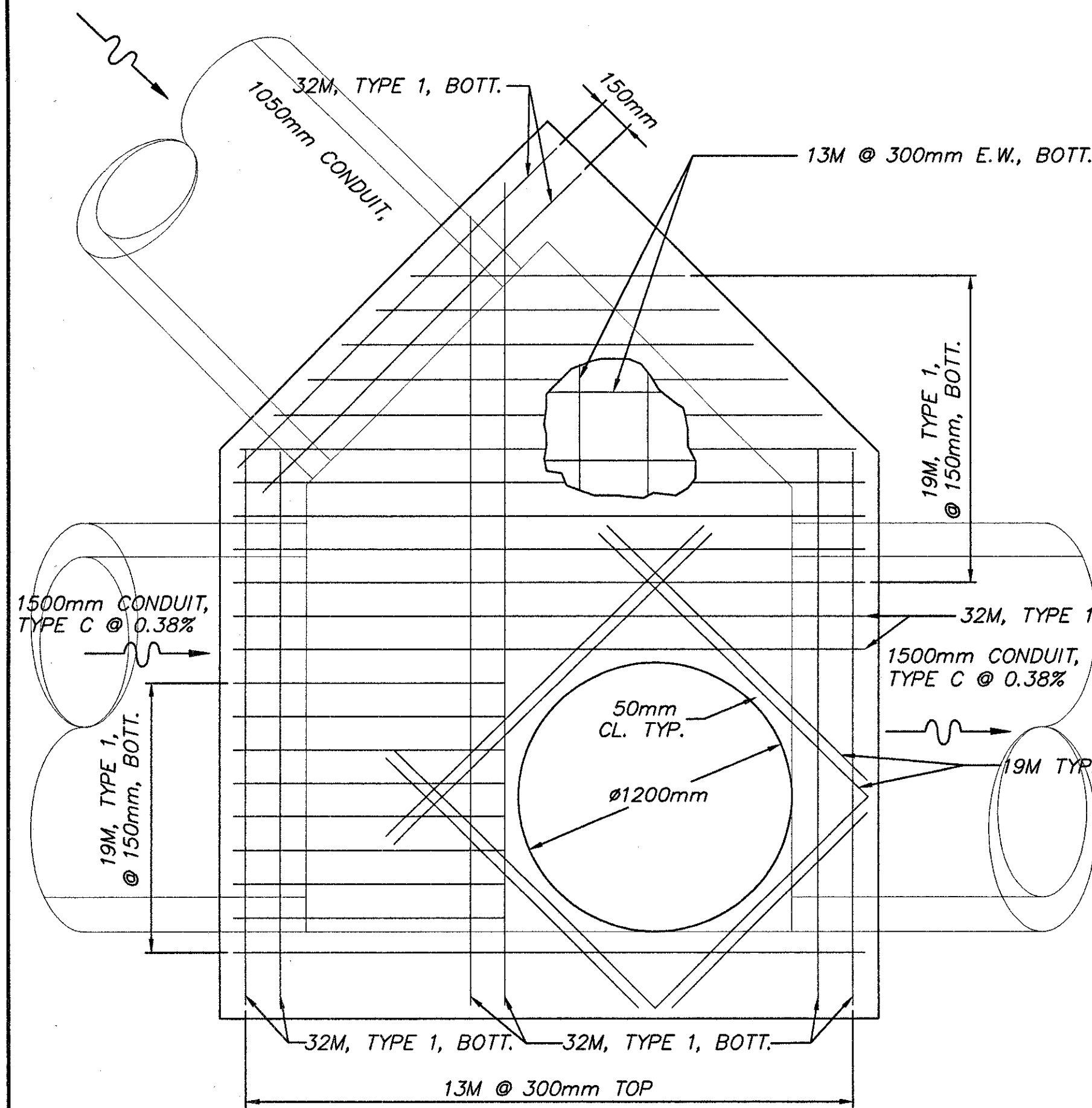
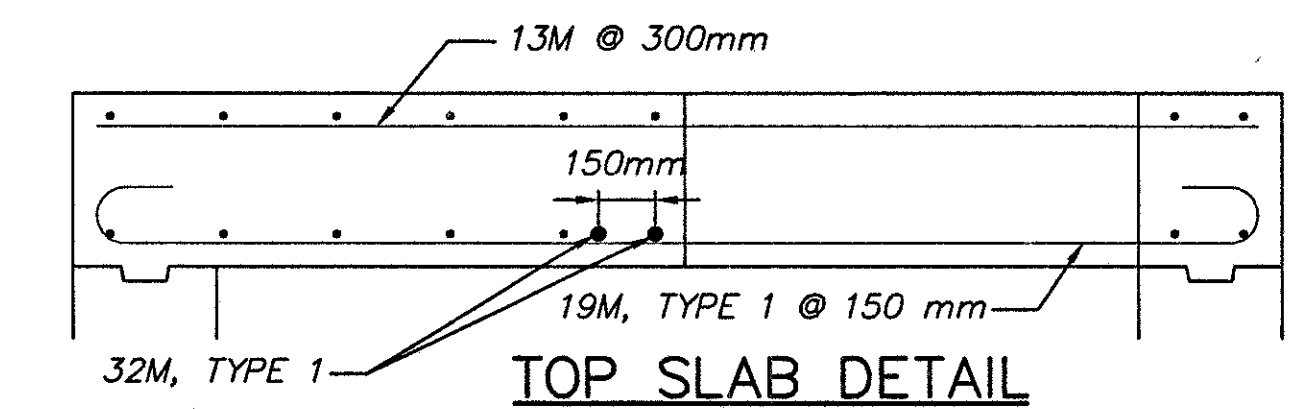
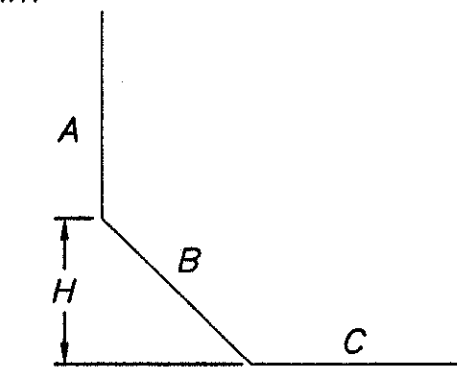
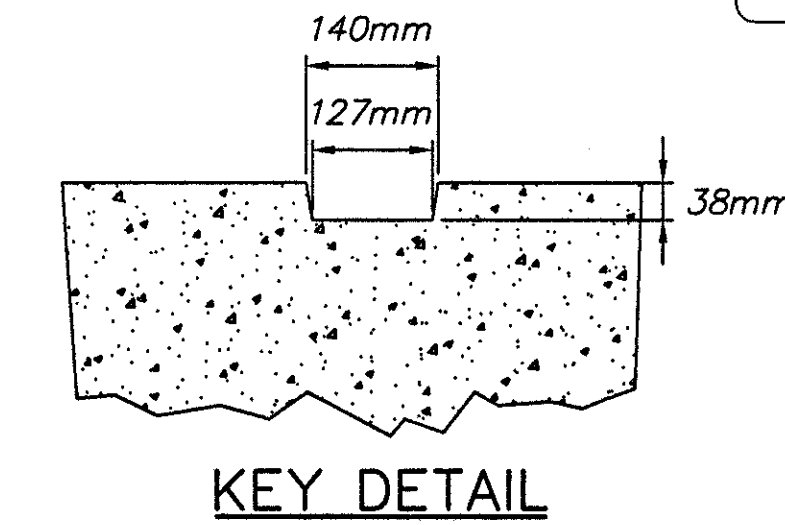
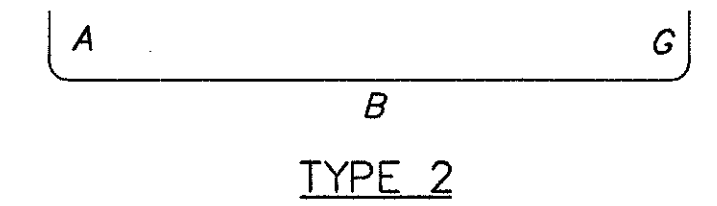
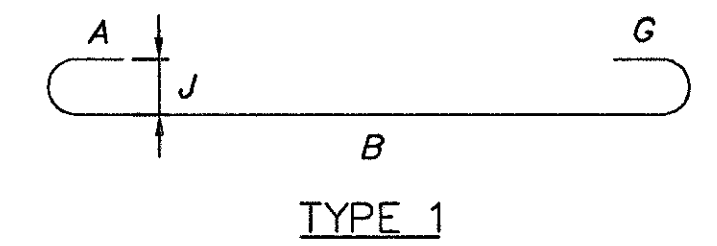


**Revised 08/06/02

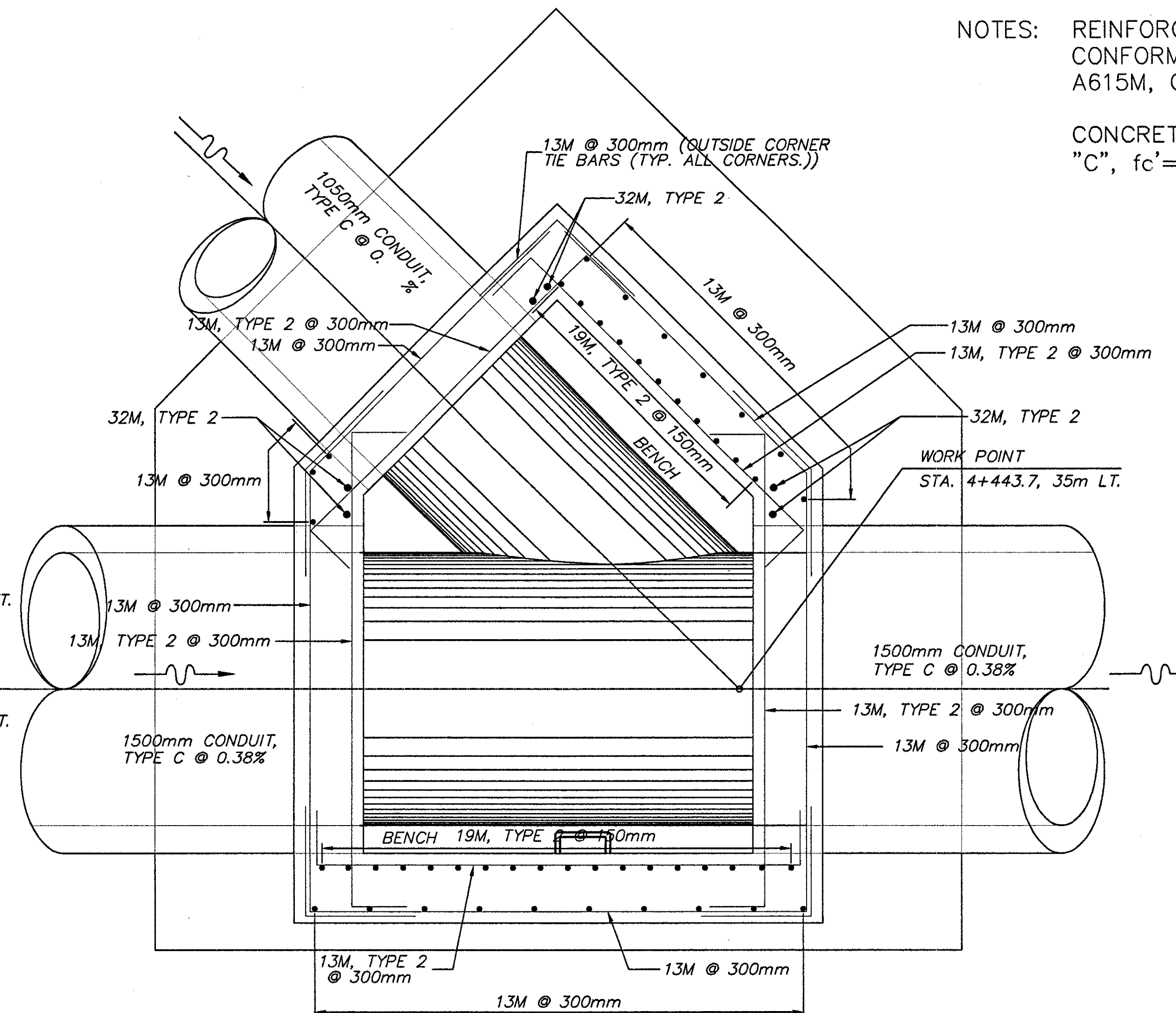
BENDING DIAGRAMS

NOTES: REINFORCING STEEL SHALL CONFORM TO ITEM 709.01, ASTM A615M, GRADE 420, $f_y=420MPa$

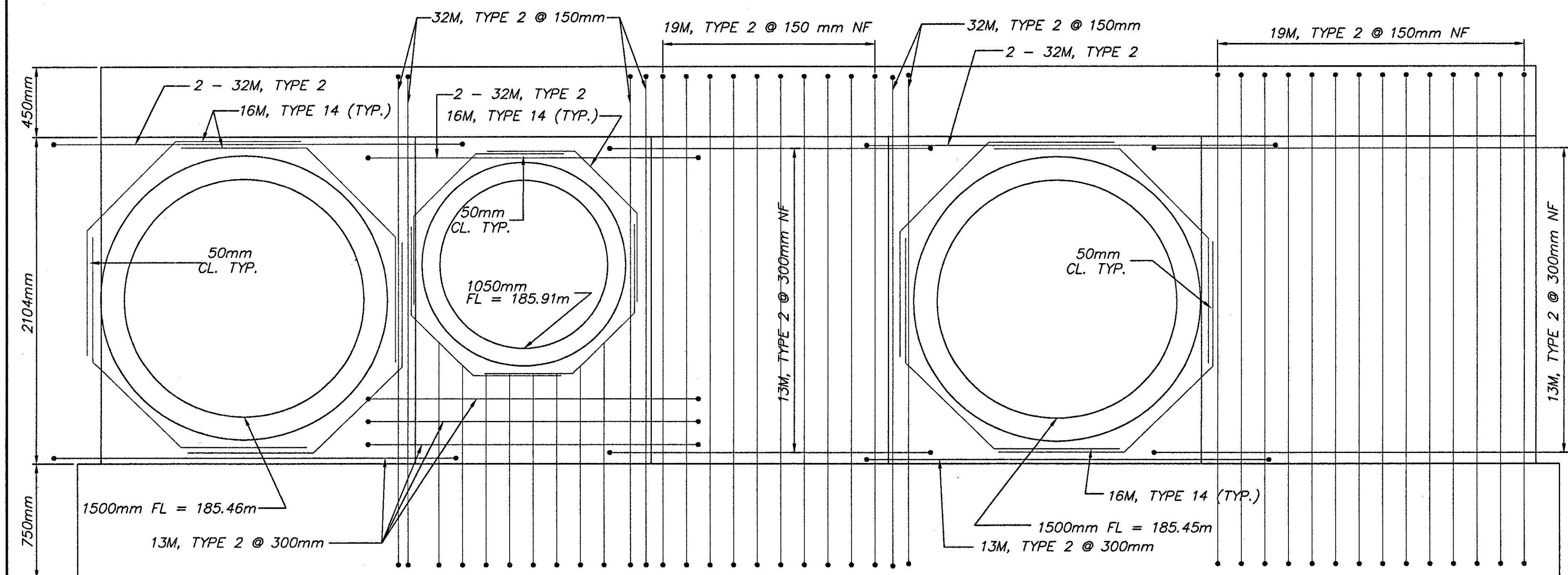
CONCRETE SHALL BE CLASS "C", $f_c'=27.5MPa$



TOP SLAB DETAIL

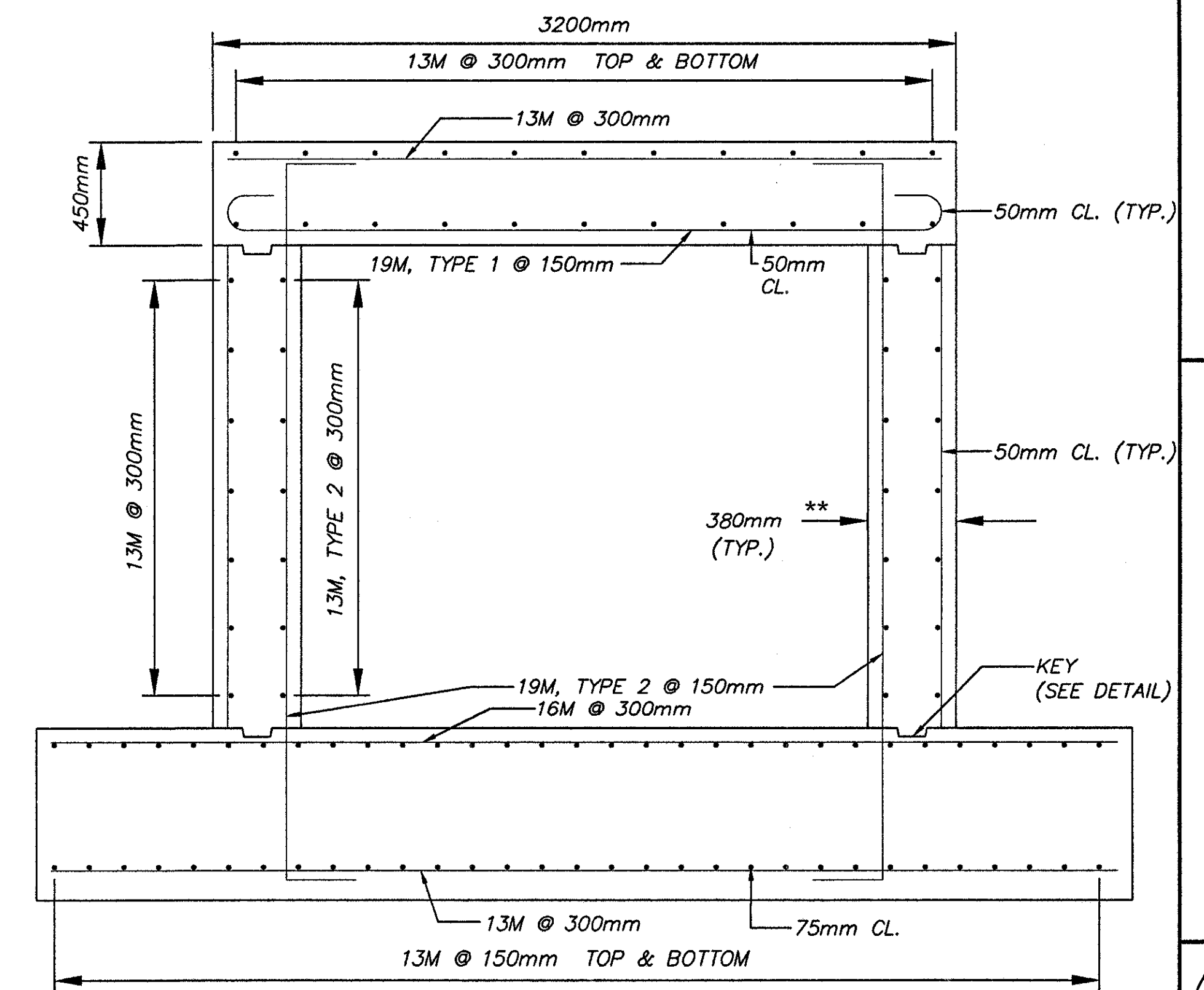


SECTION B-B



INTERIOR WALL ELEVATION

NOTE: INSIDE WALL REINFORCING STEEL ONLY (SHOWN)



TYPICAL REINFORCING SECTION

DRAINAGE DETAILS
JUNCTION CHAMBER

LAK-640-3.444

185A
214