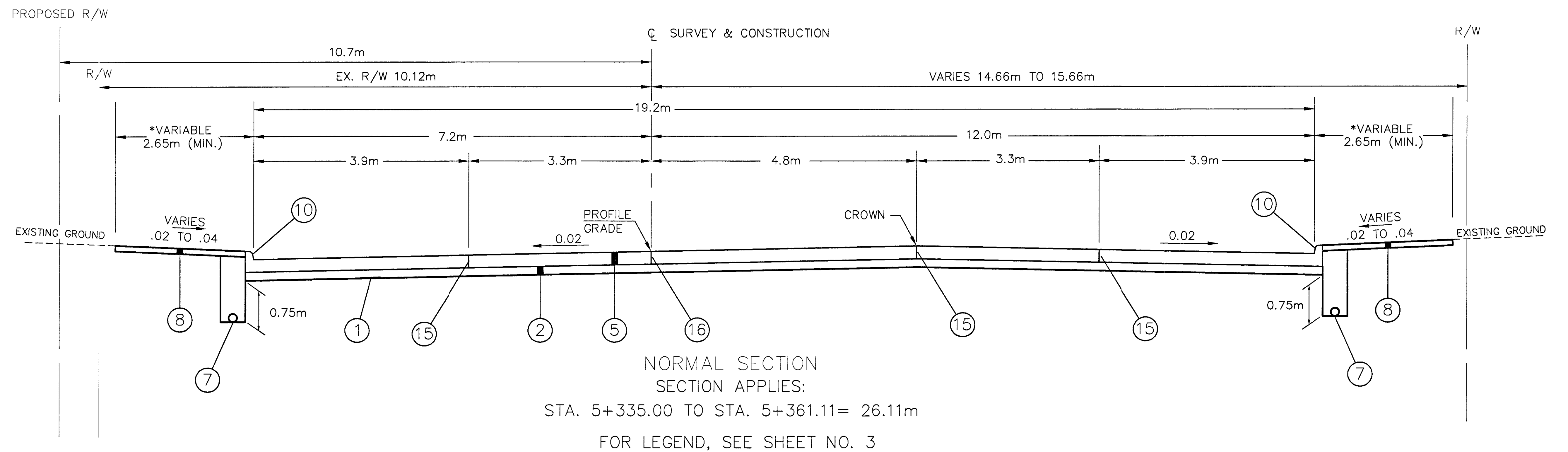
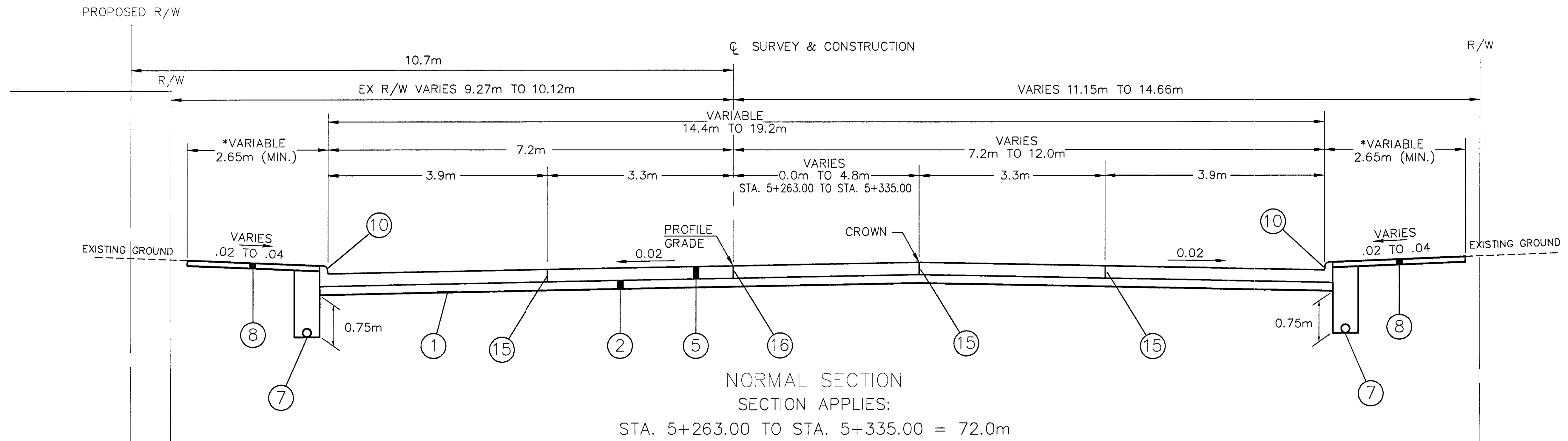


TYPE 451 VINE STREET

CALCULATED
 CHECKED
 TYPICAL SECTION
 STA. 5+263.00 TO STA. 5+381.8
 LAK-640-3.444
 10
 214



NOTE:
 *SEE PLAN AND PROFILE SHEETS
 FOR ACTUAL CONCRETE WALK WIDTHS.