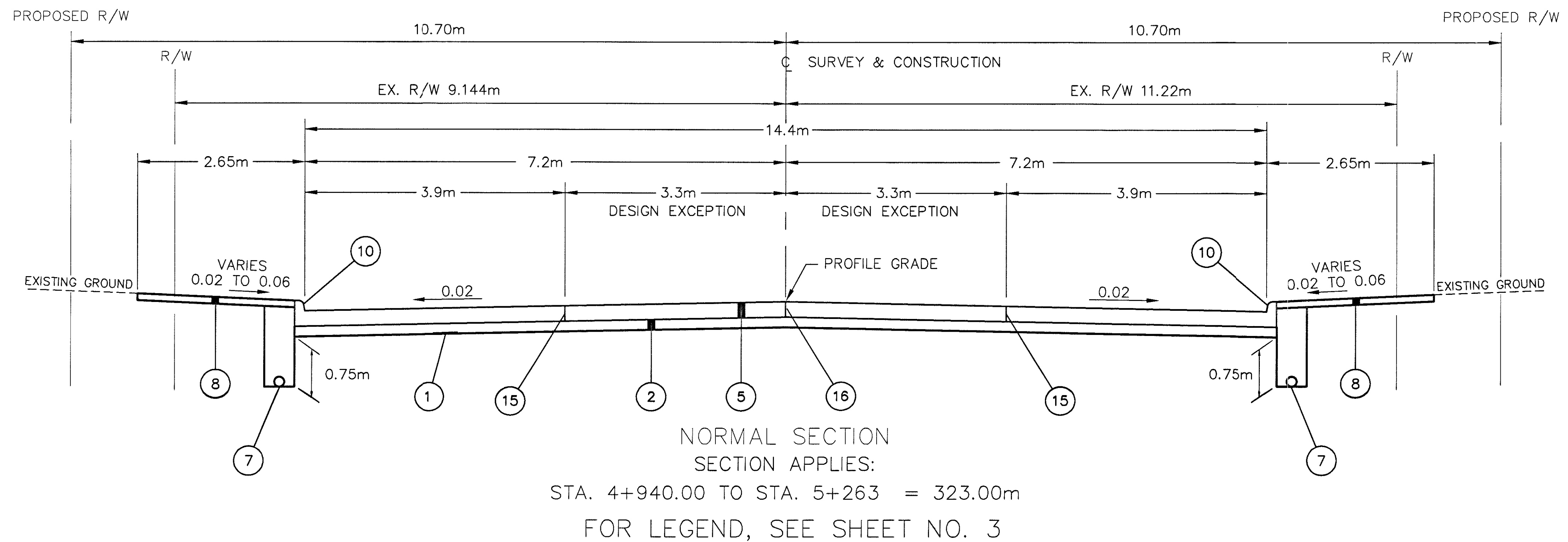
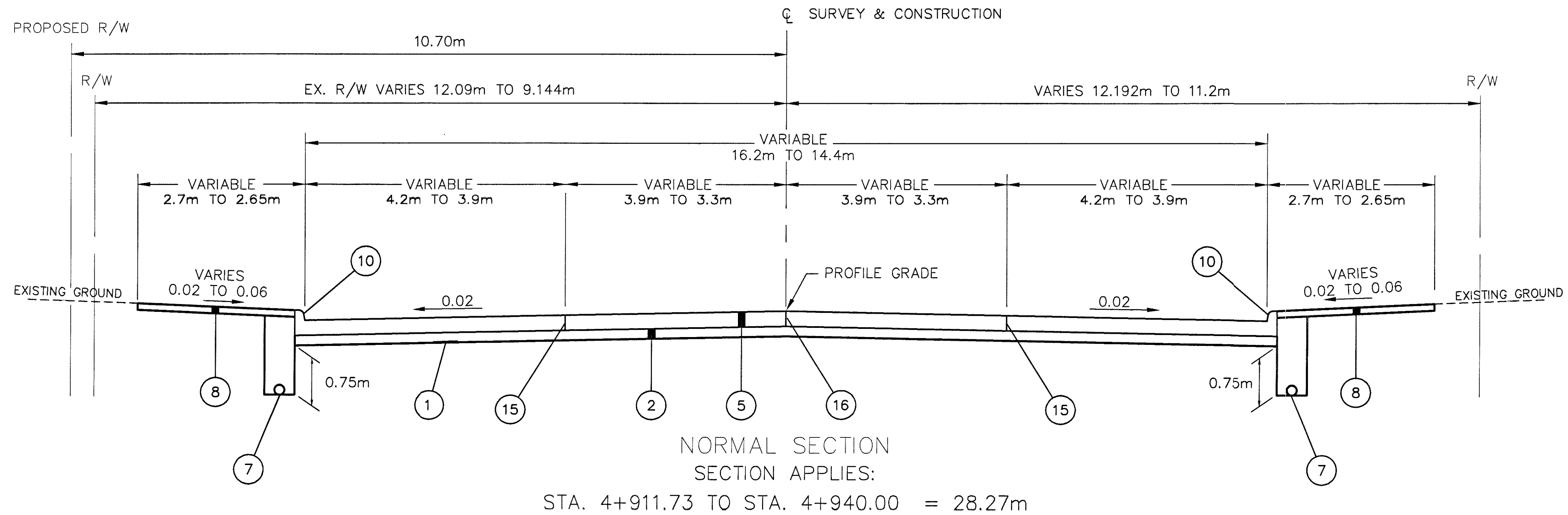


TYPE 451 VINE STREET



CALCULATED
 CHECKED
 TYPICAL SECTION
 STA. 4+911.73 TO STA. 5+263.00
 LAK-640-3.444
 214