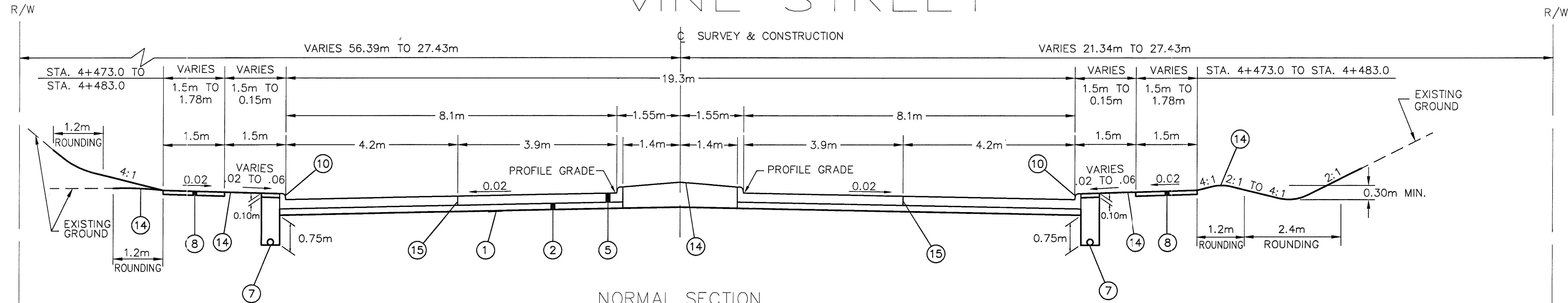
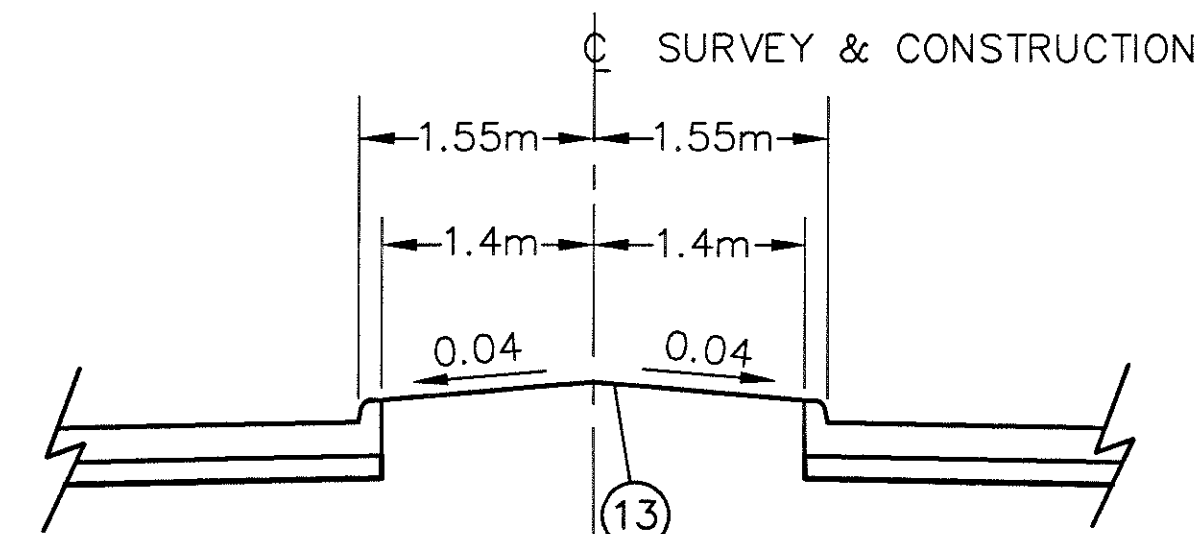


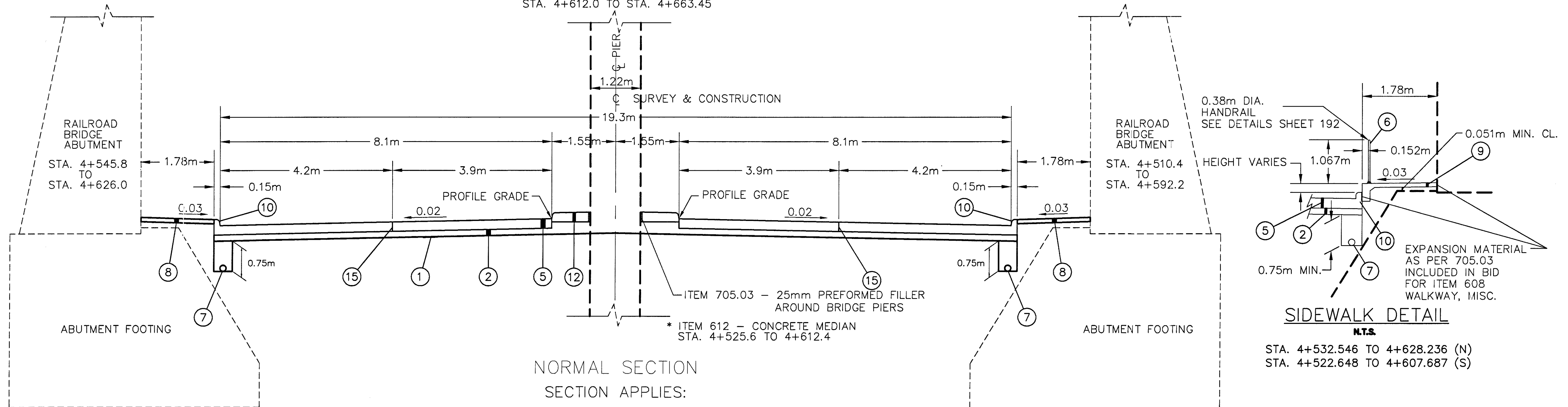
# TYPE 451 VINE STREET



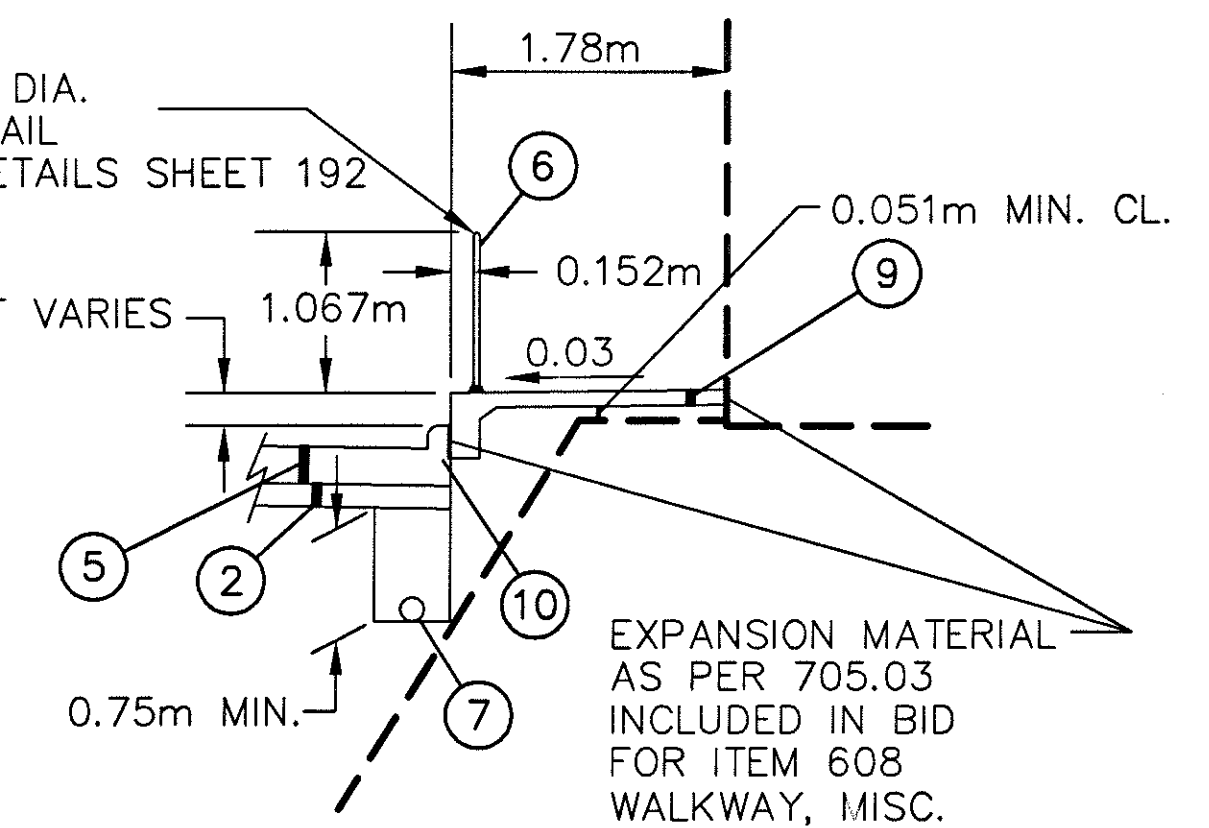
NORMAL SECTION  
SECTION APPLIES:  
STA. 4+358.65 TO STA. 4+480.57 = 121.92m  
FOR LEGEND, SEE SHEET NO. 3



STA. 4+480.57 TO STA. 4+526.0  
STA. 4+612.0 TO STA. 4+663.45



NORMAL SECTION  
SECTION APPLIES:  
STA 4+480.57 TO STA 4+663.45 = 182.88m  
FOR LEGEND, SEE SHEET NO. 3



**SIDEWALK DETAIL**

N.T.S.  
STA. 4+532.546 TO 4+628.236 (N)  
STA. 4+522.648 TO 4+607.687 (S)

CALCULATED  
 CHECKED  
 TYPICAL SECTION  
 STA. 4+358.65 TO STA. 4+663.45  
 LAK-640-3.444  
 6  
 214