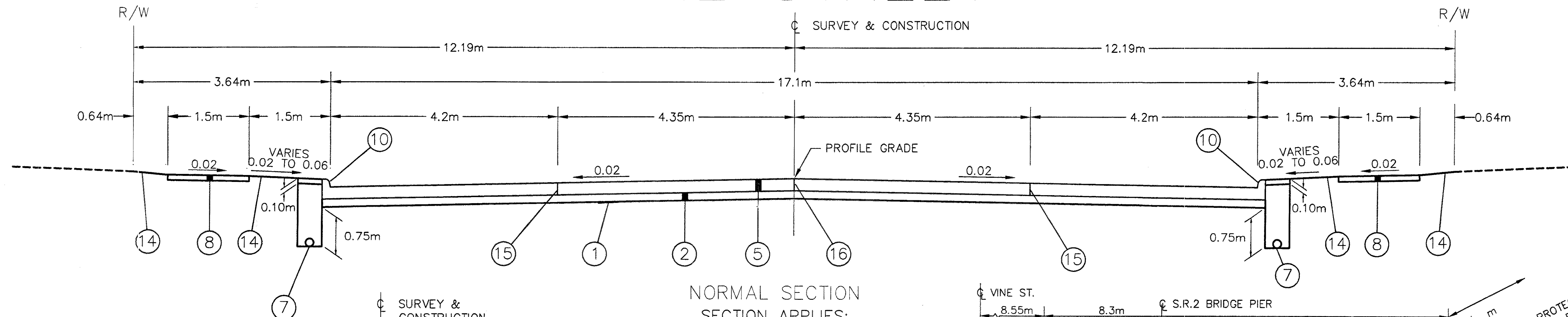
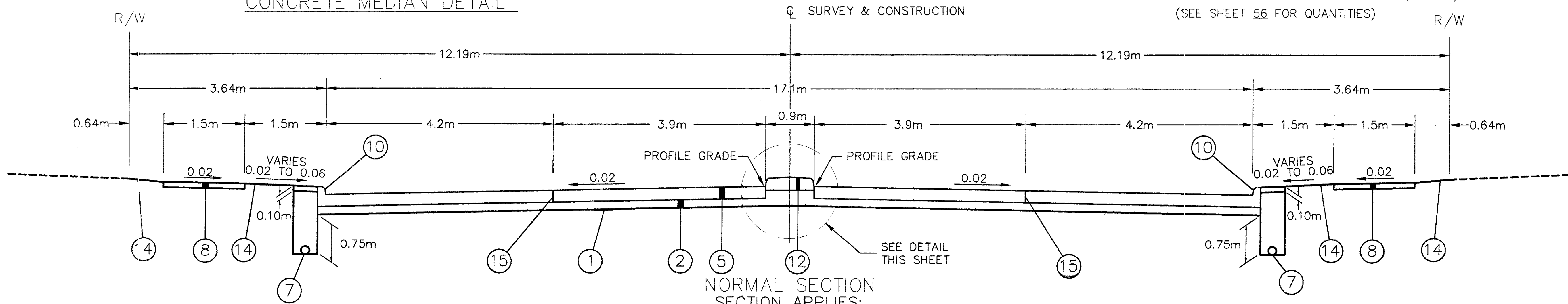
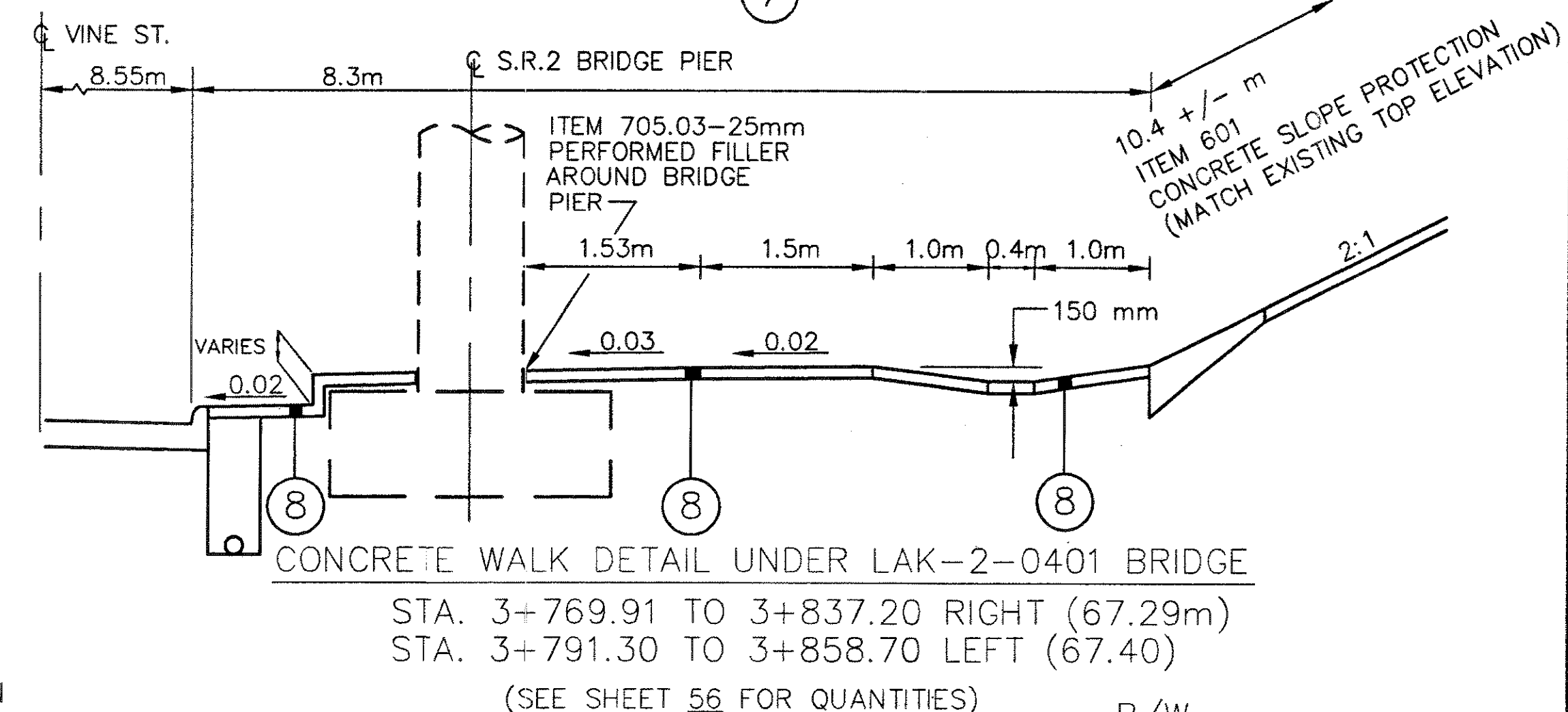
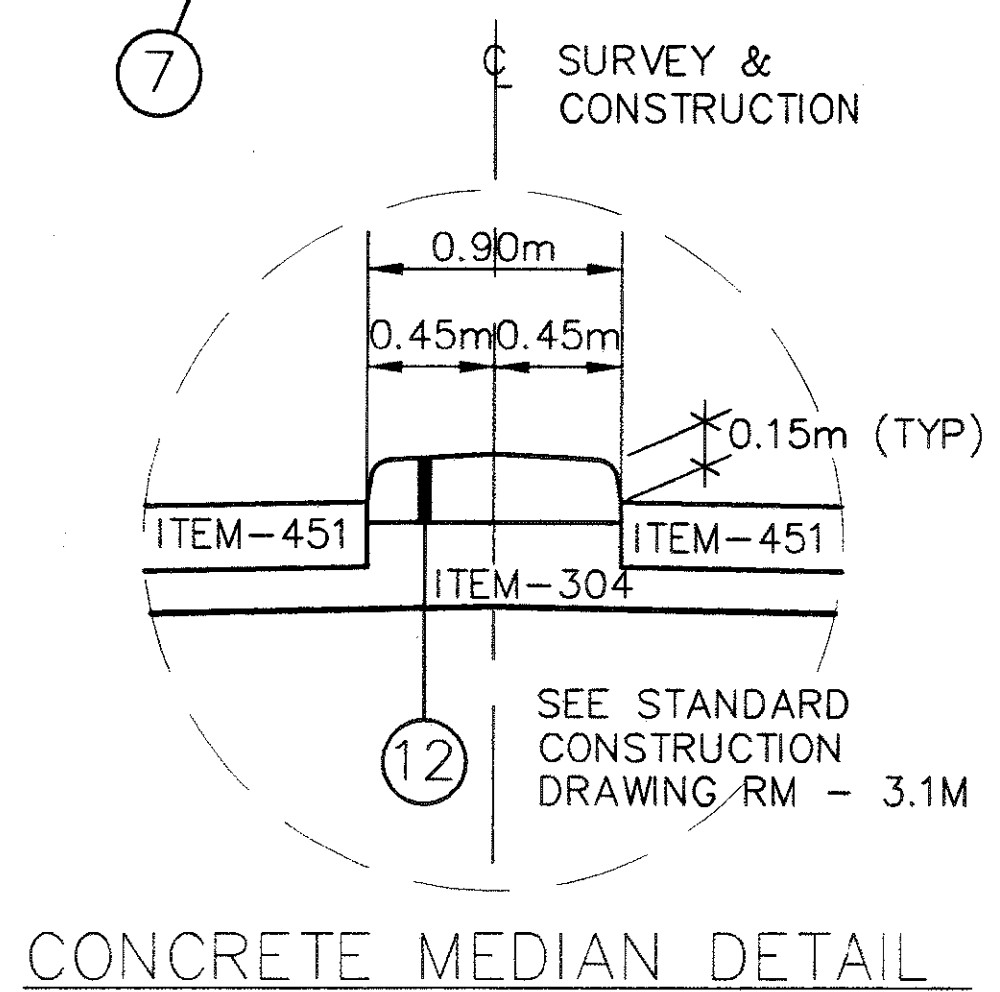


TYPE 451 VINE STREET



NORMAL SECTION
SECTION APPLIES:
STA. 3+539.34 TO STA. 3+712.47 = 173.13m



NORMAL SECTION
SECTION APPLIES:
STA. 3+712.47 TO STA. 3+855.73 = 143.26m

- | | | |
|---|--|---|
| <ul style="list-style-type: none"> ① ITEM 203 - SUBGRADE COMPACTION ② ITEM 304 - 150mm AGGREGATE BASE, AS PER PLAN ③ ITEM 407 - TACK COAT ④ ITEM 448 - 38mm ASPHALT CONC., SURFACE COURSE, TYPE 1, PG. 64-22 ⑤ ITEM 451 - 230mm REINFORCED CONCRETE PAVEMENT ⑥ ITEM 517 - RAILING, MISC. : HANDRAIL (SEE DETAIL SHEET 192) | <ul style="list-style-type: none"> ⑦ ITEM 605 - 150mm SHALLOW PIPE UNDERDRAIN WITH FABRIC WRAP, AS PER PLAN ⑧ ITEM 608 - 100mm CONCRETE WALK ⑨ ITEM 608 - WALKWAY, MISC.: 100mm CONC. WALK, ⑩ ITEM 830 - CURB, TYPE 2A ⑪ ITEM 830 - CURB, TYPE 2B | <ul style="list-style-type: none"> ⑫ ITEM 830 - 225mm CONCRETE MEDIAN ⑬ ITEM 870 - SEEDING AND MULCHING ⑭ ITEM 660 - SODDING, AS PER PLAN ⑮ LONGITUDINAL JOINT ⑯ LONGITUDINAL JOINT W/OUT TIE BARS |
|---|--|---|

CALCULATED
 CHECKED
 TYPICAL SECTION
 STA. 3+539.34 TO STA. 3+855.73
 LAK-640-3.444
 3
 214