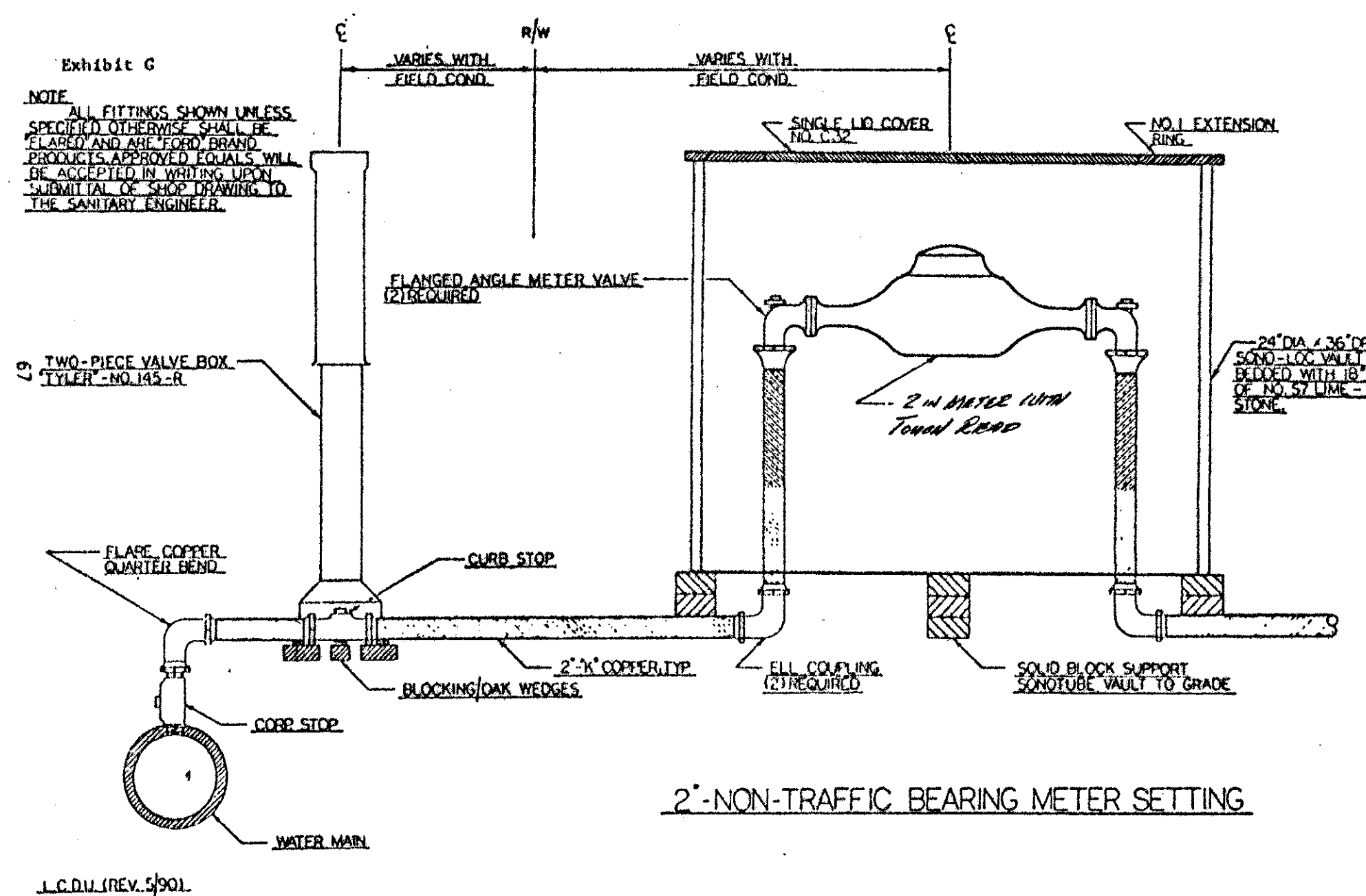
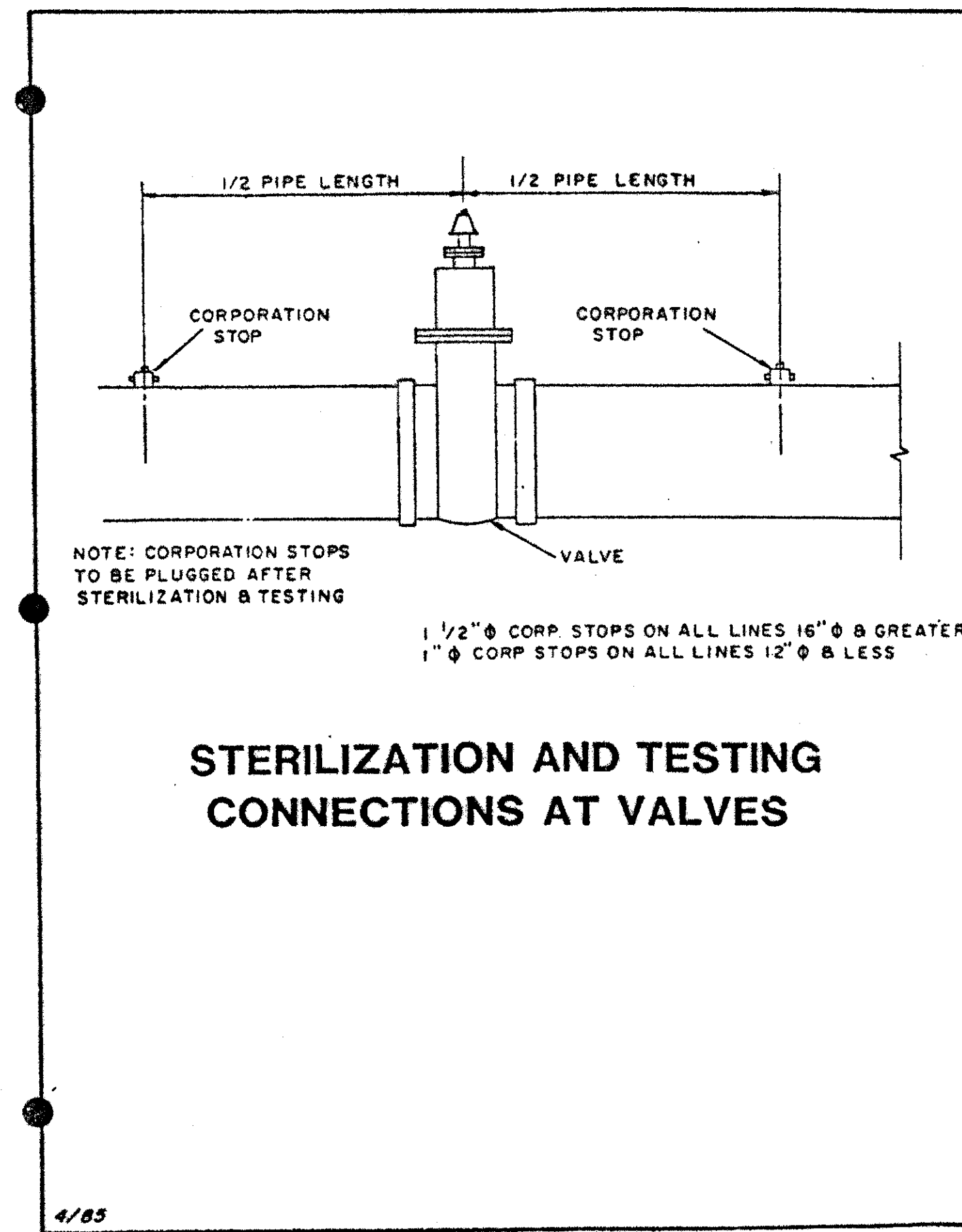


CLASS "A" BEDDING CLASS "B" BEDDING CLASS "C" BEDDING
LAKE COUNTY DEPARTMENT OF UTILITIES
TRENCH & BEDDING DETAILS 7/86 REV: 2/87

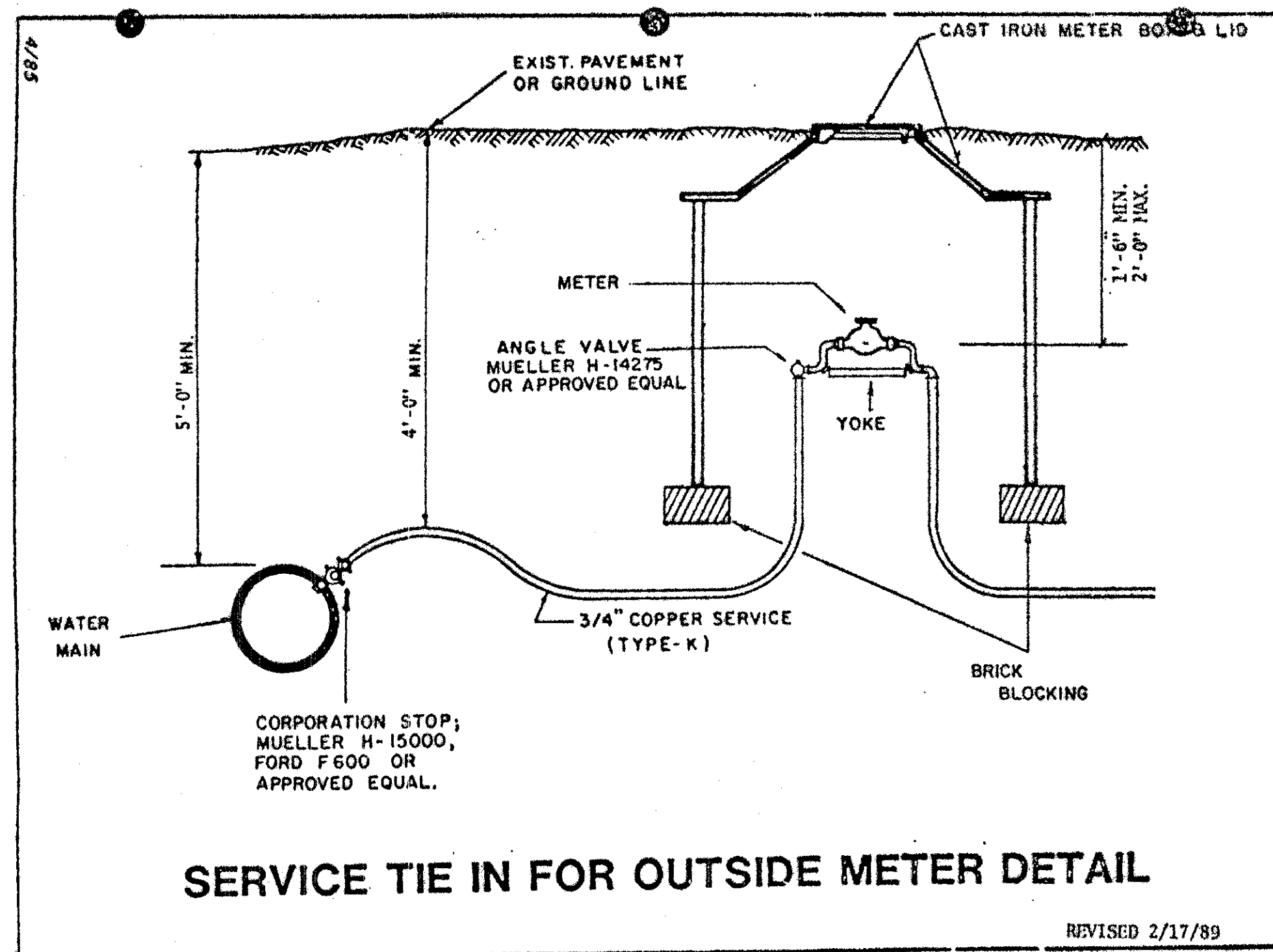
1. MAXIMUM TRENCH AT TOP OF PIPE SHALL BE O.D. + 24" FOR ALL PIPE SIZES UP TO AND INCLUDING 24" I.D. AND O.D. + 30" FOR PIPE LARGER THAN 24" I.D.
2. PIPE BACKFILL UNDER PAVEMENT AND STRUCTURES SHALL BE NO. 46 OR NO. 57 LIMESTONE COMPACTED TO TOP OF TRENCH. THE BACKFILL MATERIAL SHALL EXTEND A MINIMUM OF 3 FEET BEYOND EACH EDGE OF PAVEMENT OR STRUCTURE. IN AREAS OUTSIDE OF PAVEMENT, SELECT ON-SITE GRANULAR MATERIAL APPROVED BY LAKE COUNTY SANITARY ENGINEER MAY BE USED IN LIFTS NOT TO EXCEED 6" FOR PIPE BACKFILL ABOVE BEDDING.
3. ALL BEDDING SHALL BE CLASS "B" UNLESS OTHERWISE NOTED ON THE PLANS OR AUTHORIZED BY THE ENGINEER.
4. SLAG BEDDING SHALL NOT BE USED.
5. WATERLINE BEDDING SHALL BE CLASS "C".
6. CLAY DAMS SHALL BE REQUIRED WHEN AND WHERE NECESSARY PER THE SOLE DISCRETION OF THE LAKE COUNTY SANITARY ENGINEER.



2'-NON-TRAFFIC BEARING METER SETTING

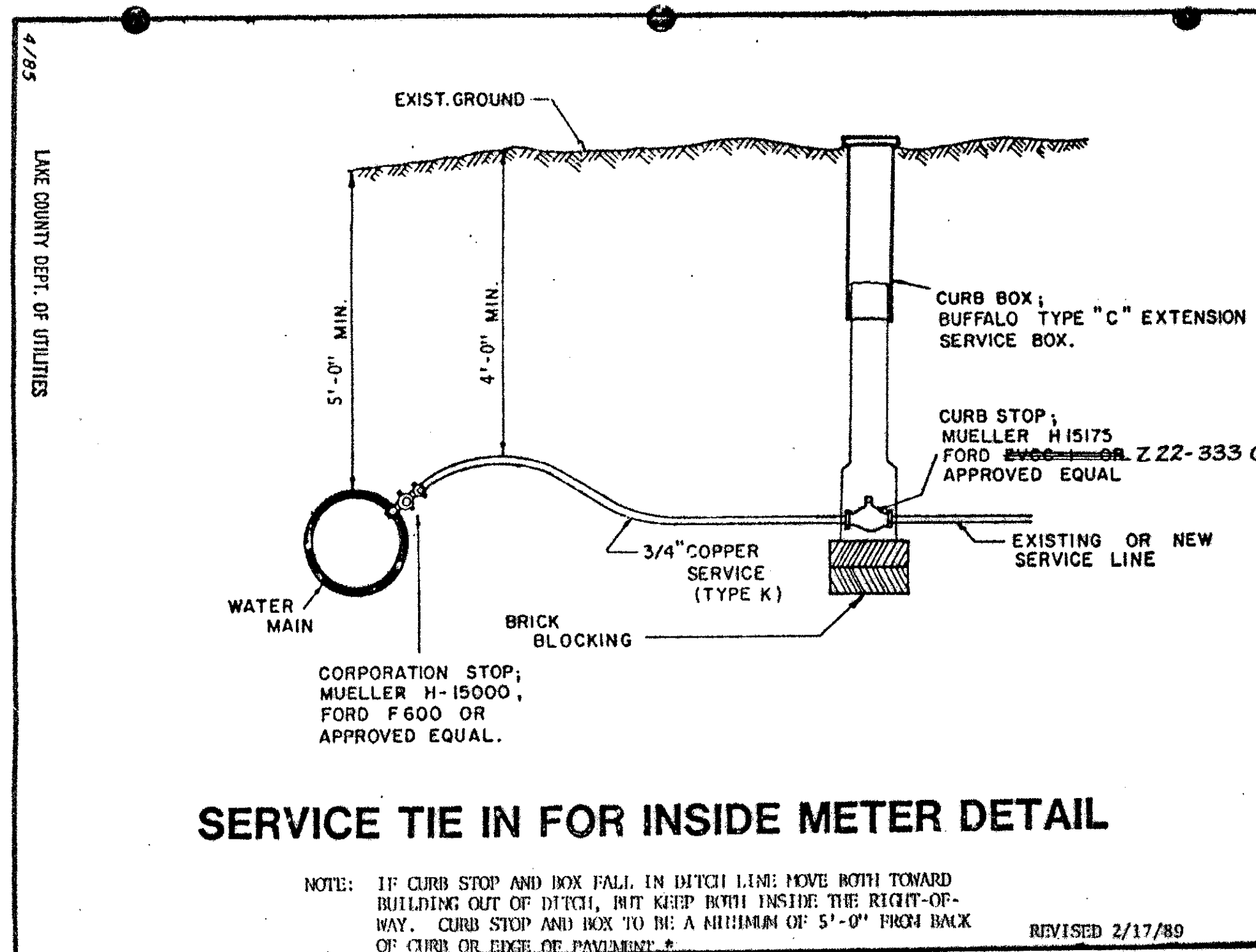


STERILIZATION AND TESTING CONNECTIONS AT VALVES



SERVICE TIE IN FOR OUTSIDE METER DETAIL

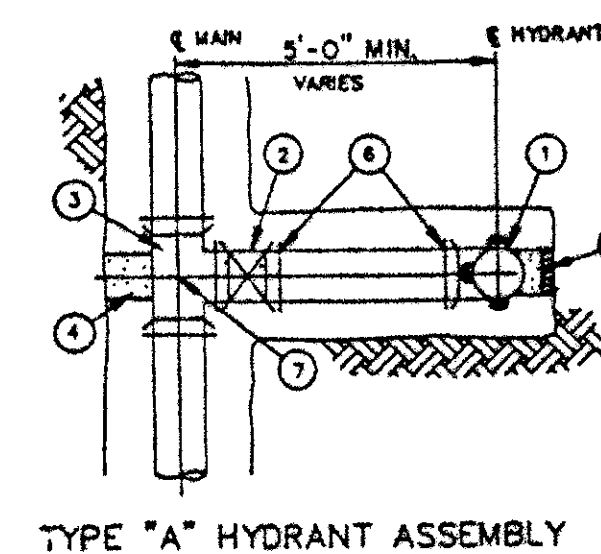
REVISED 2/17/89



SERVICE TIE IN FOR INSIDE METER DETAIL

NOTE: IF CURB STOP AND BOX FALL IN DITCH LINE MOVE BOTH TOWARD BUILDING OUT OF DITCH, BUT KEEP BOTH INSIDE THE RIGHT-OF-WAY. CURB STOP AND BOX TO BE A MINIMUM OF 5'-0" FROM BACK OF CURB OR EDGE OF PAVEMENT.

* SHOULD A CONFLICT OCCUR WITH OTHER UTILITIES OR STRUCTURES, LOCATION SHALL BE APPROVED BY SAN. ENGINEER.



TYPE "A" HYDRANT ASSEMBLY

- 1 HYDRANT, PER SPECIFICATIONS
- 2 6" GATE VALVE
- 3 ANCHORING TEE
- 4 CONCRETE BLOCKING WITH OAK WEDGES AGAINST UNDISTURBED EARTH
- 5 CONCRETE SUPPORT BLOCKING
- 6 MEGA LUG JOINT RESTRAINT OR EQUAL
- 7 PLAN STATION & OFFSET

TYPICAL HYDRANT ASSEMBLY ELEVATION
STANDARD LAKE COUNTY WATER DEPARTMENT HYDRANT DETAILS

11/88

SD-159L

CALC. BY:
CHECKED BY:

MISCELLANEOUS DETAILS

LAK-640-3.444