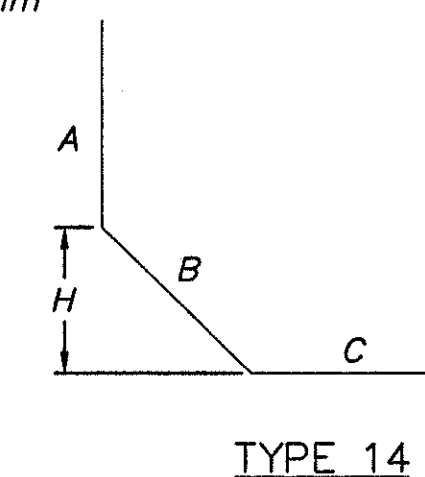
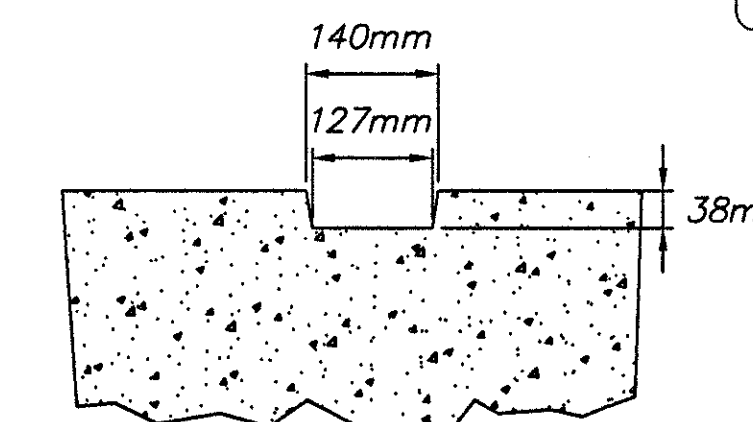
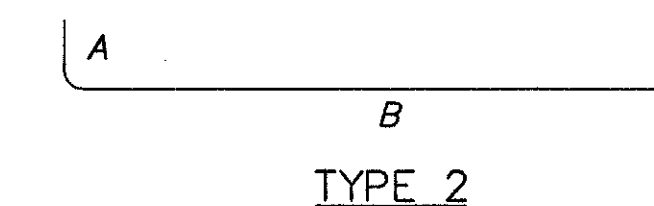
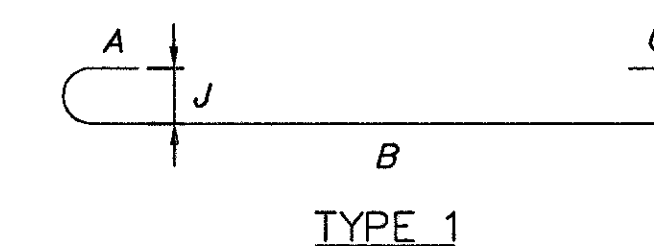


\*\*Revised 08/06/02

BENDING DIAGRAMS

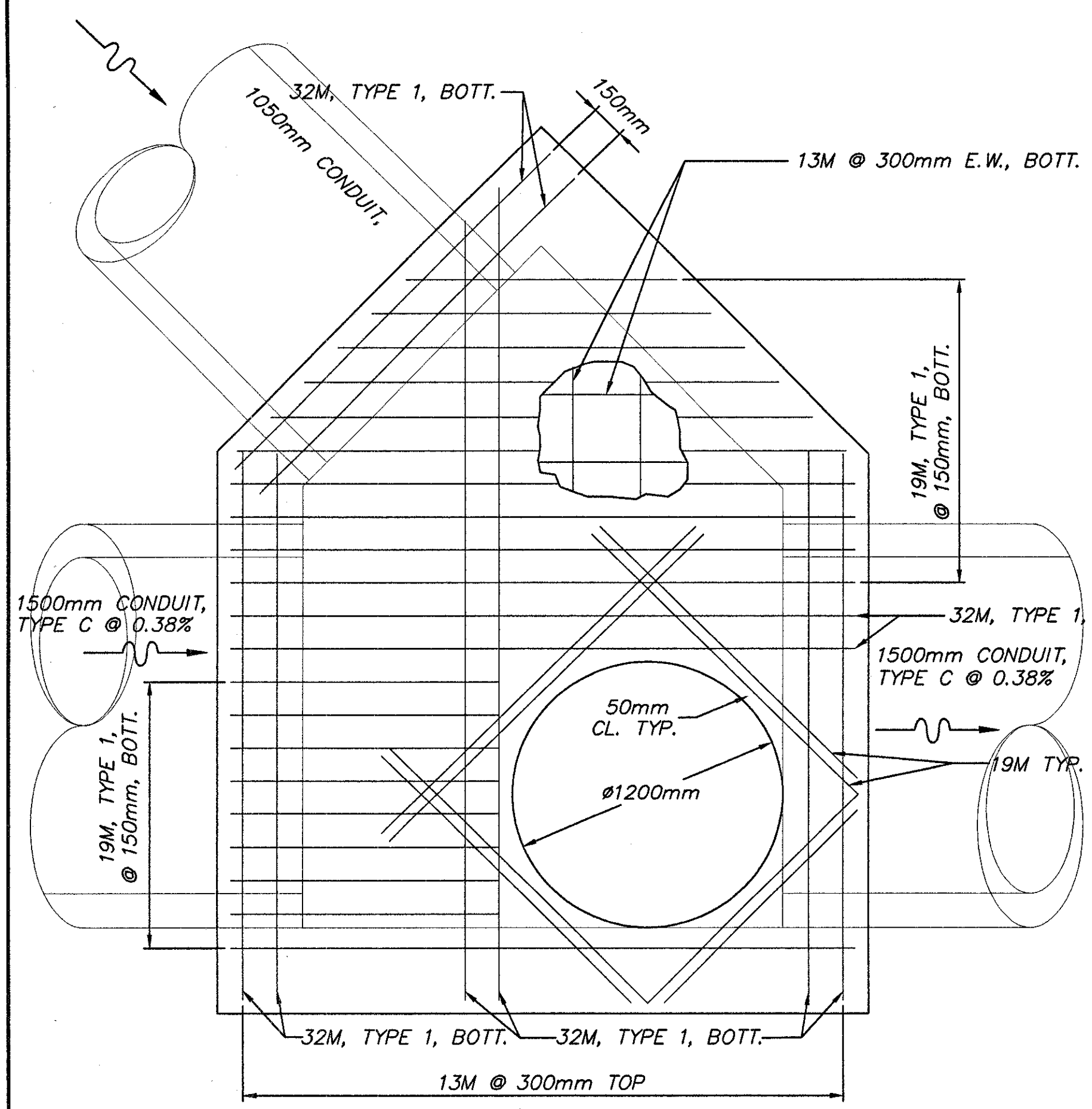
NOTES: REINFORCING STEEL SHALL CONFORM TO ITEM 709.01, ASTM A615M, GRADE 420,  $f_y=420MPa$

CONCRETE SHALL BE CLASS "C",  $f_c'=27.5MPa$

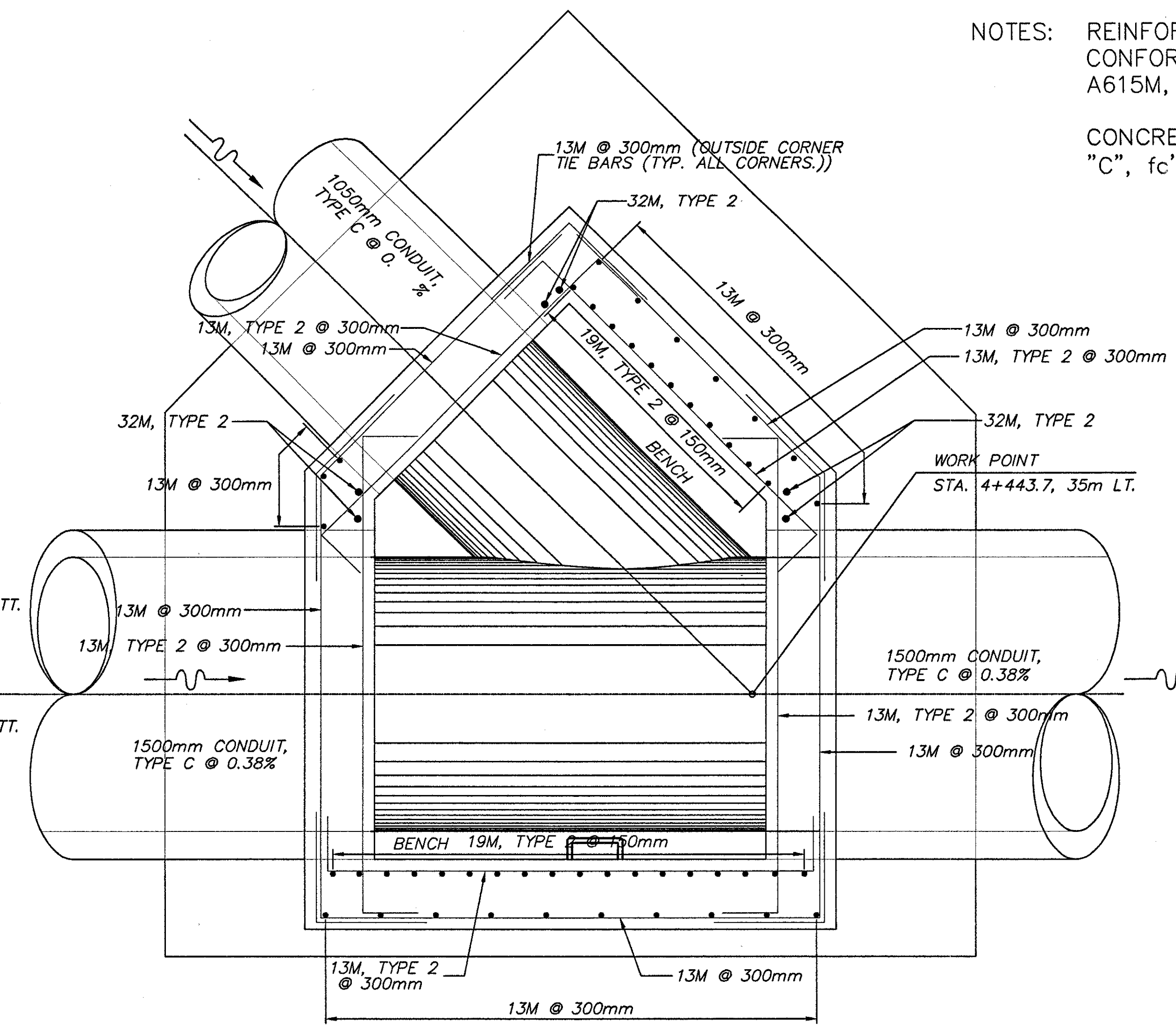


KEY DETAIL

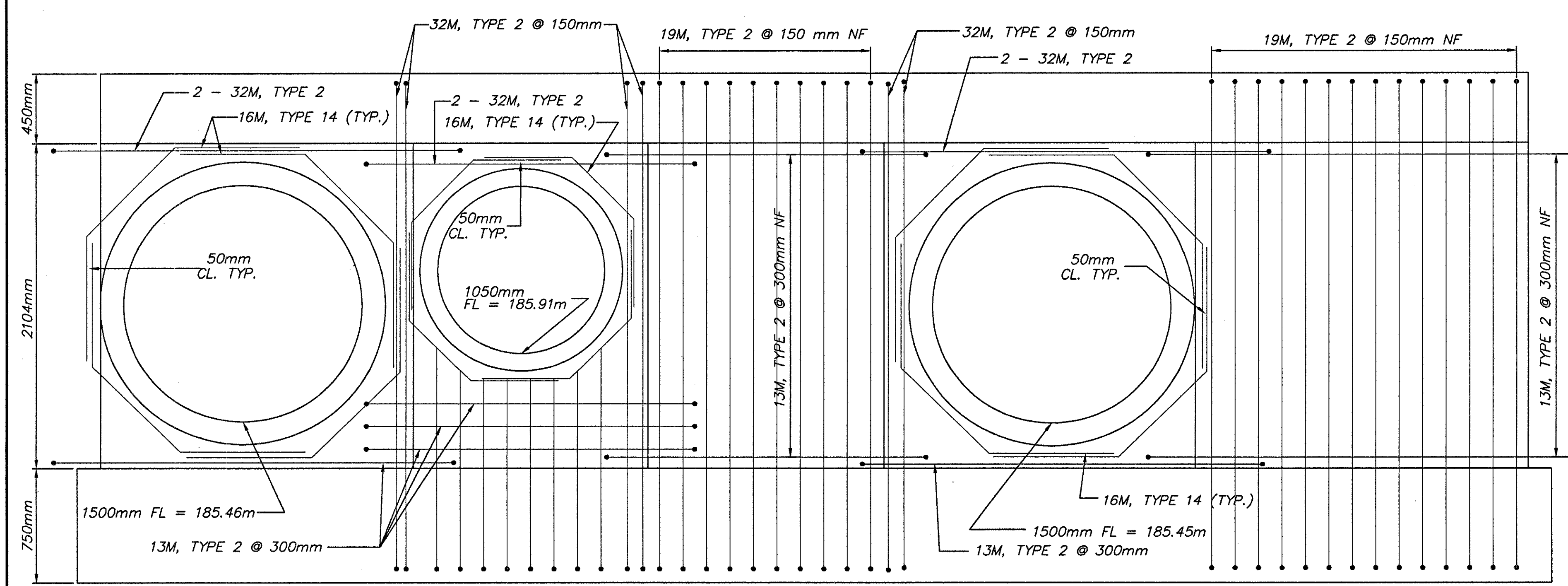
TOP SLAB DETAIL



TOP SLAB DETAIL

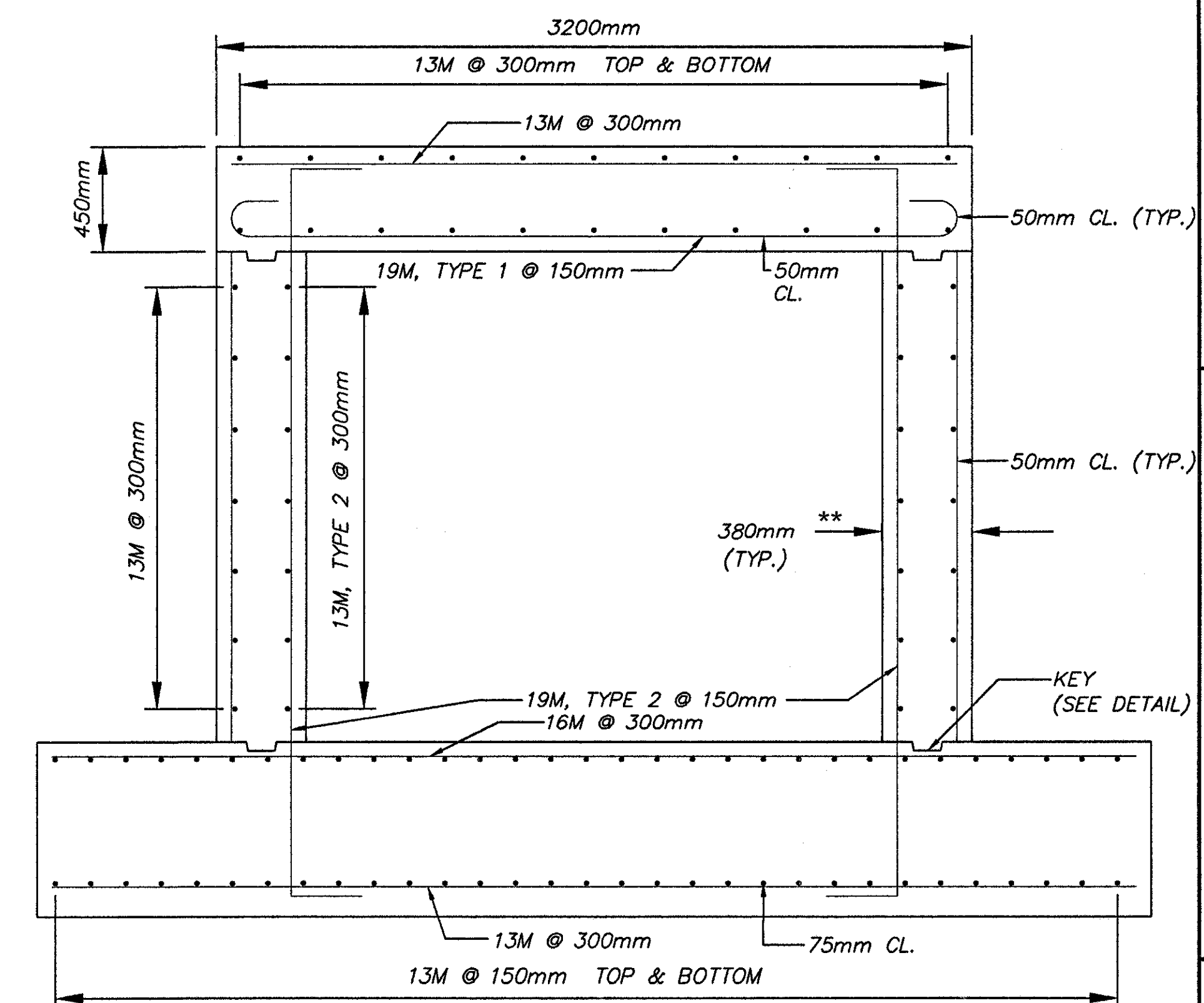


SECTION B-B



INTERIOR WALL ELEVATION

NOTE: INSIDE WALL REINFORCING STEEL ONLY (SHOWN)



TYPICAL REINFORCING SECTION

DRAINAGE DETAILS  
JUNCTION CHAMBER

LAK-640-3.444

185A  
214