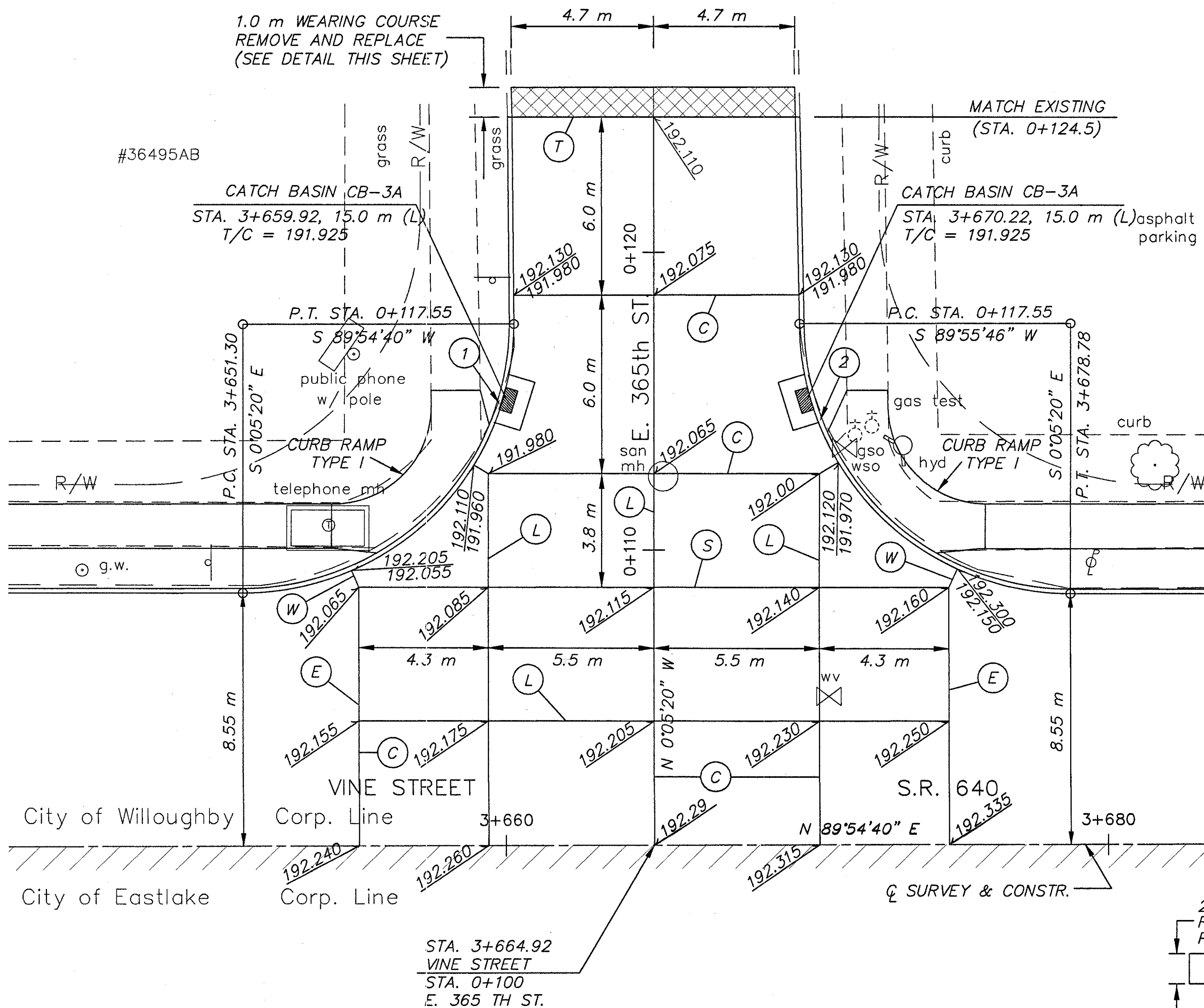


**LEGEND**

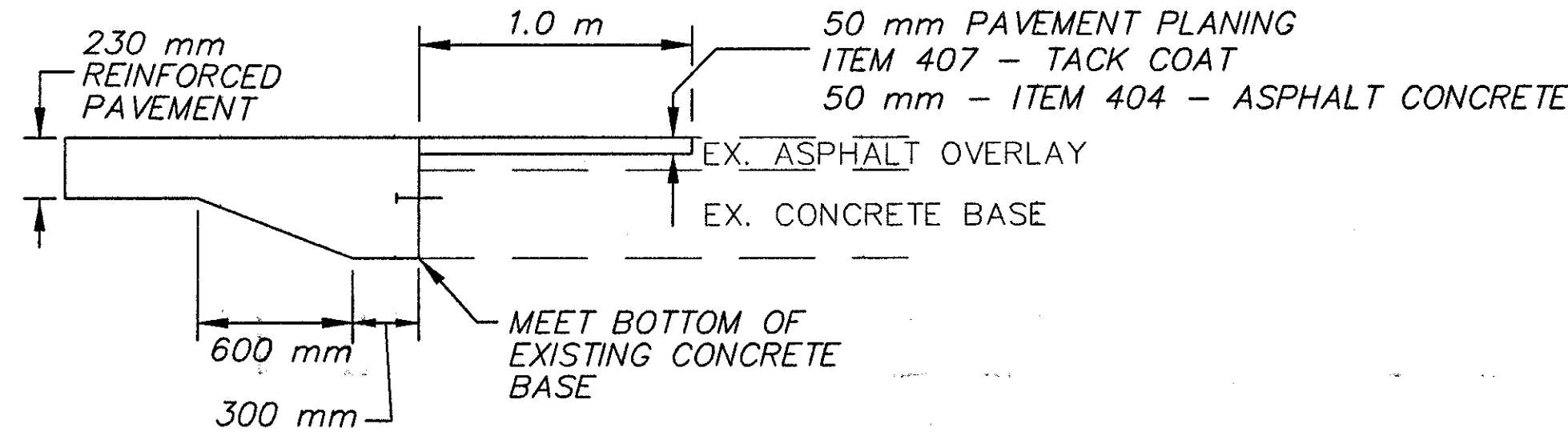
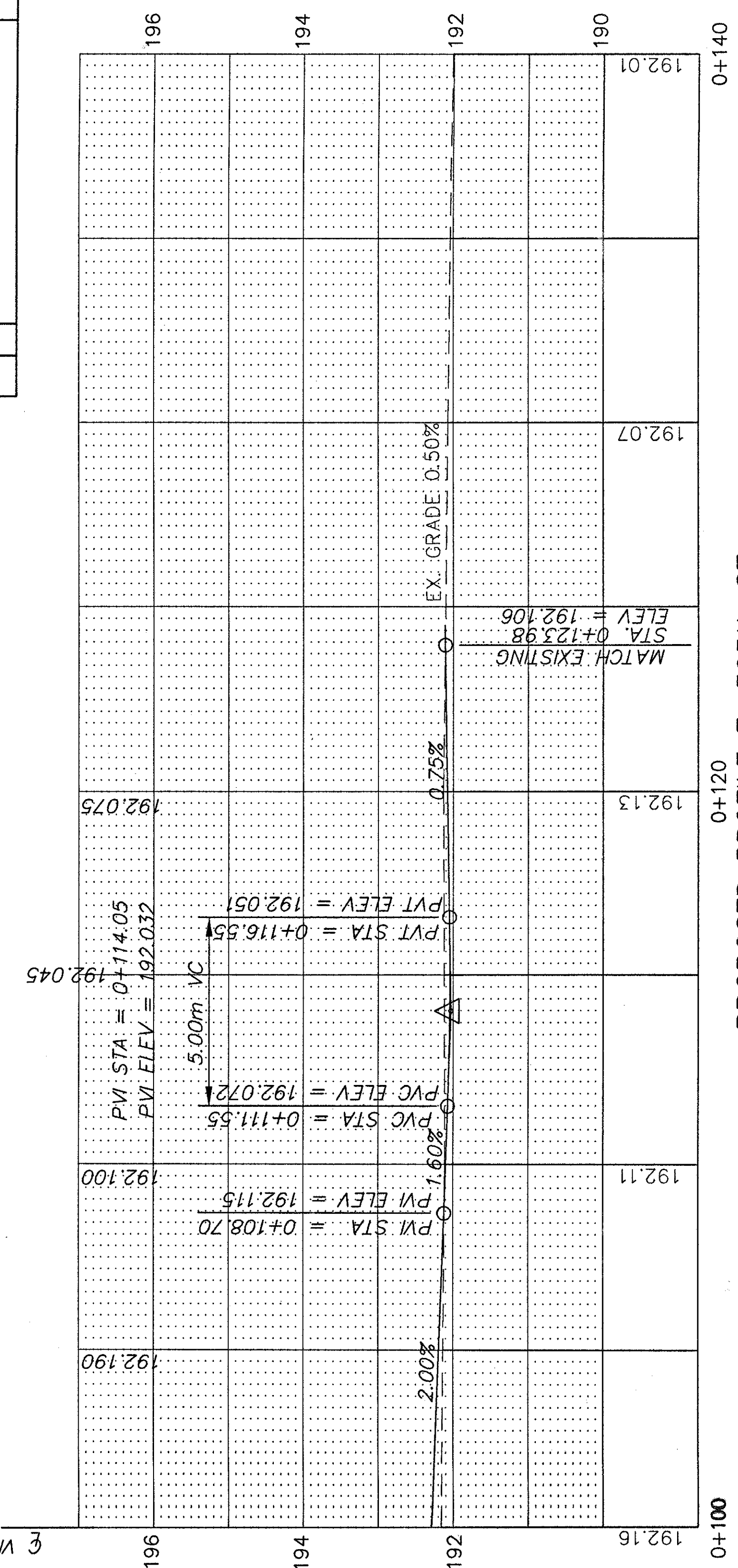
- (C) CONTRACTION JOINT AS PER B.P.-2.2M
- (L) LONGITUDINAL JOINT AS PER B.P.-2.1M
- (S) LONGITUDINAL JOINT AS PER B.P.-2.1M WITHOUT TIE BARS
- (T) THICKENED EDGE JOINT AS PER DETAIL THIS SHEET FOR ASPHALT OVERLAY OR FULL DEPTH ASPHALT
- (E) EXPANSION JOINT AS PER B.P. 2.2 M
- (W) EXPANSION JOINT AS PER B.P. 2.2 M WITHOUT DOWEL BARS

202	203	203	203	254	255	304	448	407	451	608	608	830	660
PAVEMENT REMOVED	EXCAVATION, NOT INCLUDING EMBANKMENT CONSTRUCTION	EMBANKMENT	SUBGRADE COMPACTION	PAVEMENT PLANING	FULL DEPTH PAVEMENT SAWING	150 mm AGGREGATE BASE AS PER PLAN	ASPHALT CONCRETE SURFACE COURSE TYPE 1 PG. 64.22	TACK COAT	230 mm REINFORCED CONCRETE PAVEMENT	100 mm CONC. WALK	CURB RAMP TYPE 1	CURB TYPE, 2A	SODDING, UNSTAKED AS PER PLAN
S.M.	C.M.	C.M.	S.M.	S.M.	m	C.M.	C.M.	L.	S.M.	S.M.	EA.	m	S.M.
457.70	40.1	0	427.67	9.4	9.71	64.15	0.50	4.2	427.67	32.42	2	42.28	15.2



**CURVE DATA TO FACE OF CURB**

①	②
$\Delta = 90^{\circ}00'00''$	$\Delta = 90^{\circ}00'00''$
$R = 9.00 \text{ m}$	$R = 9.00 \text{ m}$
$T = 9.00 \text{ m}$	$T = 9.00 \text{ m}$
$L = 14.14 \text{ m}$	$L = 14.14 \text{ m}$
$C = 12.73 \text{ m}$	$C = 12.73 \text{ m}$
$E = 3.73 \text{ m}$	$E = 3.73 \text{ m}$



**I - THICKENED EDGE JOINT**

PROPOSED PROFILE E. 365th ST.

EXTRA AREA SHEET  
E. 365th STREET

LAK-640-3.444