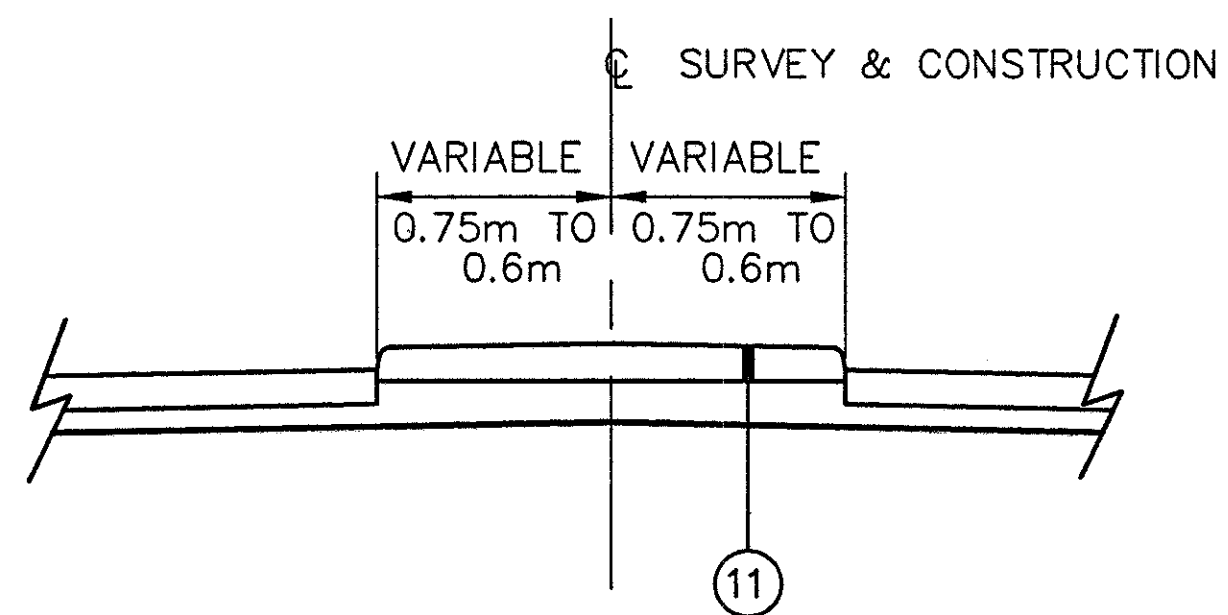
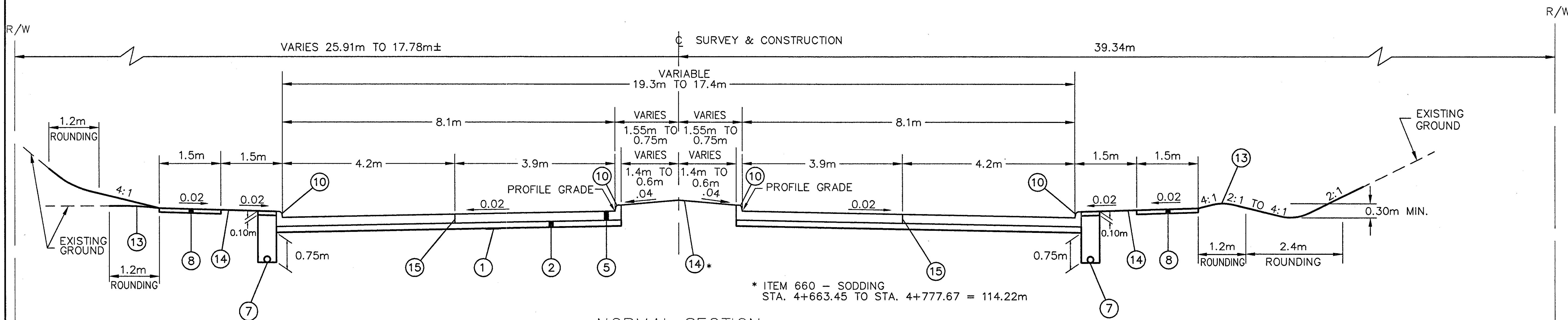


TYPE 451 VINE STREET



STA. 4+777.67 TO 4+799.09m = 21.42m



* ITEM 660 - SODDING
STA. 4+663.45 TO STA. 4+777.67 = 114.22m

NORMAL SECTION
SECTION APPLIES:
STA. 4+663.45 TO STA. 4+799.09 = 135.64m
FOR LEGEND, SEE SHEET NO. 3

CALCULATED

CHECKED

TYPICAL SECTION
STA. 4+663.45 TO STA. 4+799.09

LAK-640-3.444

7
214