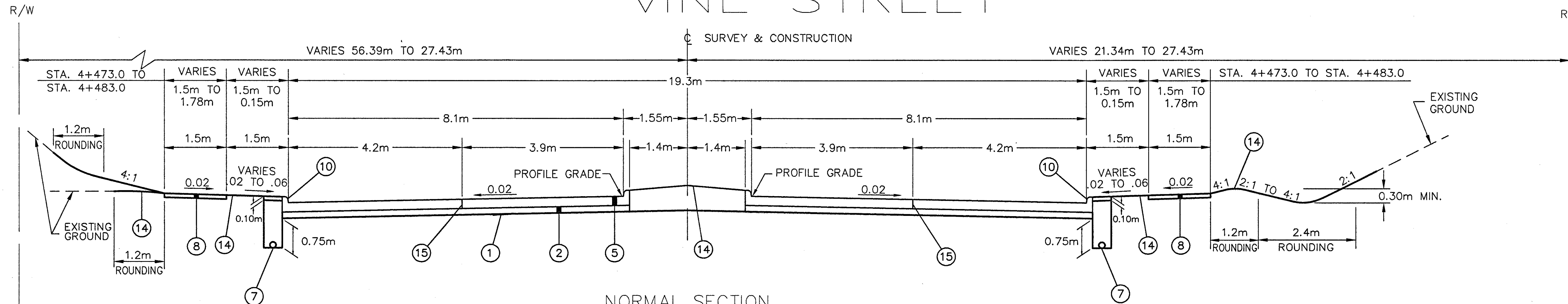
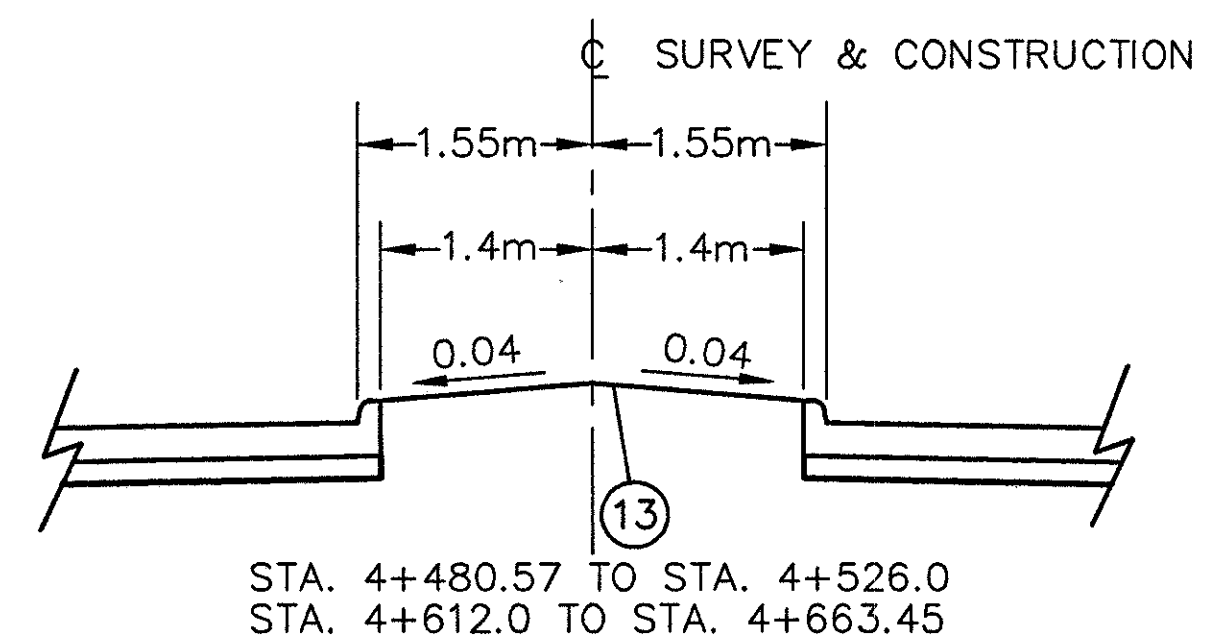


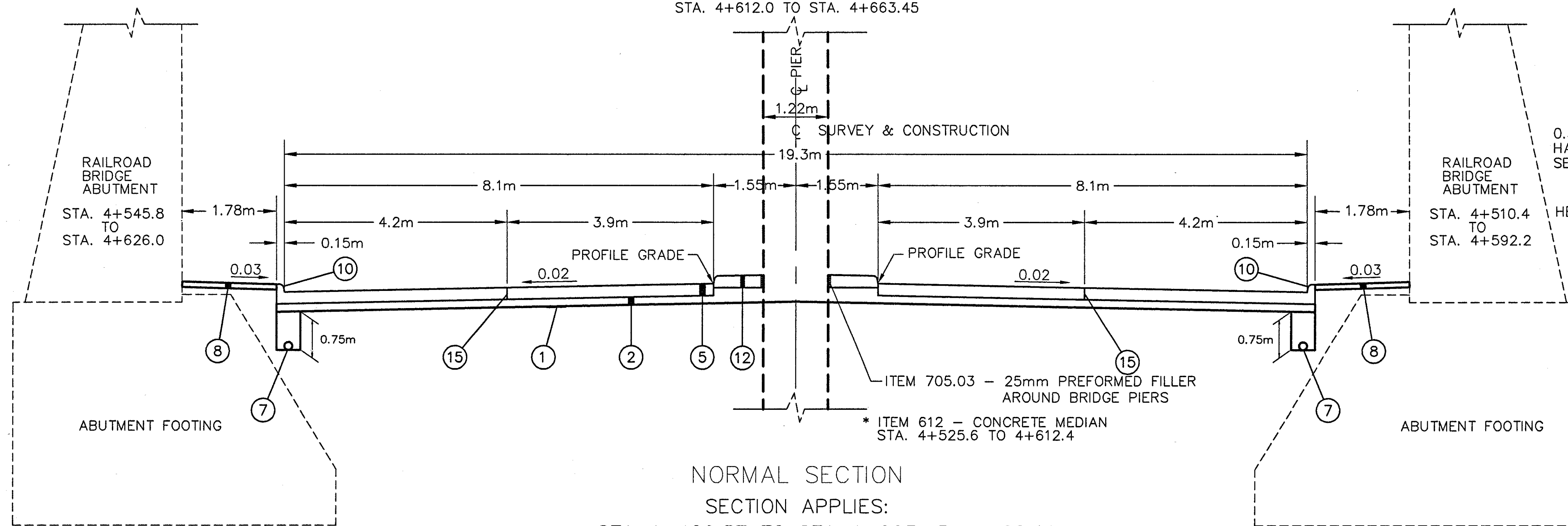
TYPE 451 VINE STREET



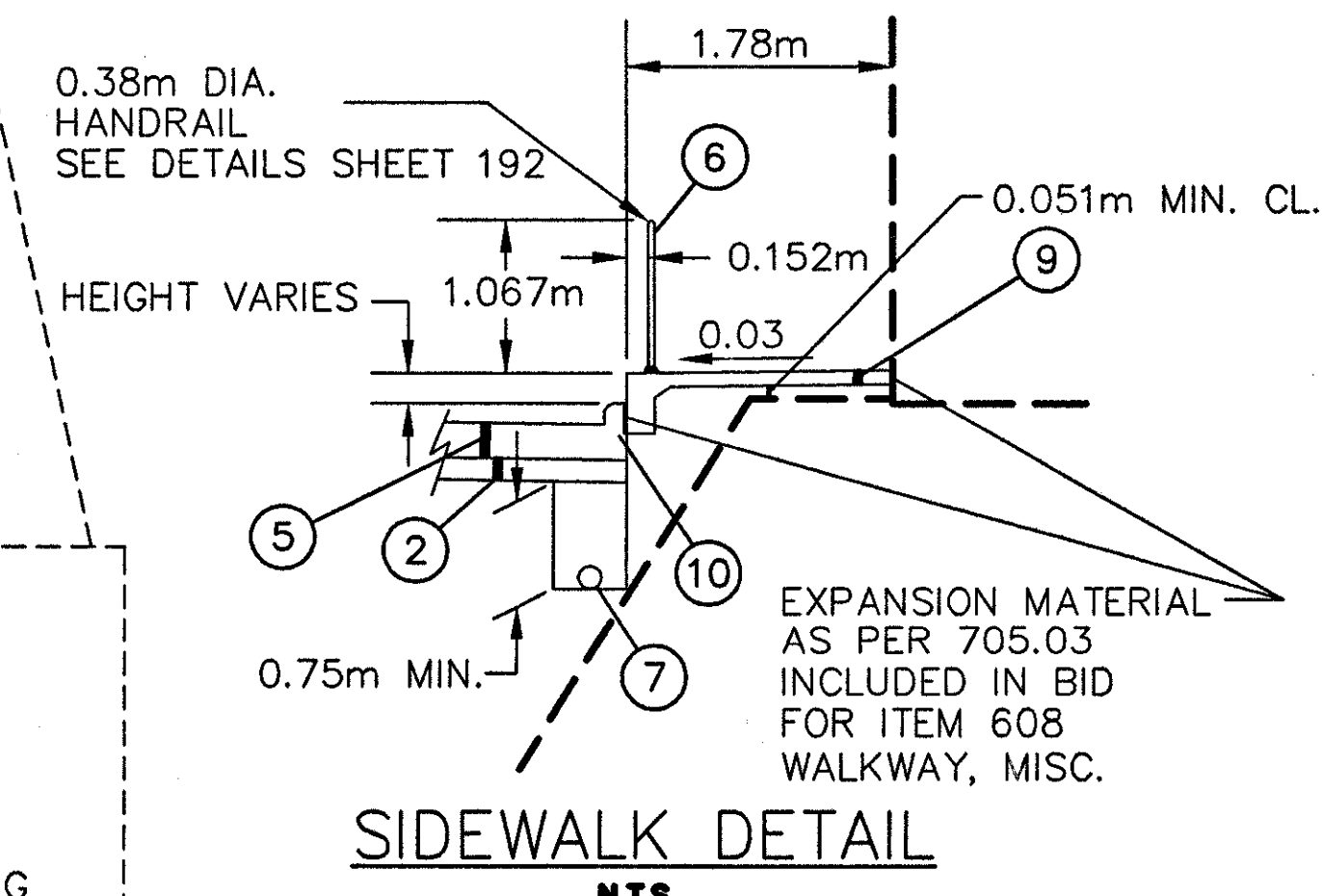
NORMAL SECTION
SECTION APPLIES:
STA. 4+358.65 TO STA. 4+480.57 = 121.92m
FOR LEGEND, SEE SHEET NO. 3



STA. 4+480.57 TO STA. 4+526.0
STA. 4+612.0 TO STA. 4+663.45



NORMAL SECTION
SECTION APPLIES:
STA 4+480.57 TO STA 4+663.45 = 182.88m
FOR LEGEND, SEE SHEET NO. 3



SIDEWALK DETAIL
N.T.S.
STA. 4+532.546 TO 4+628.236 (N)
STA. 4+522.648 TO 4+607.687 (S)

CALCULATED
 CHECKED
 TYPICAL SECTION
 STA. 4+358.65 TO STA. 4+663.45
 LAK-640-3.444
 6
 214