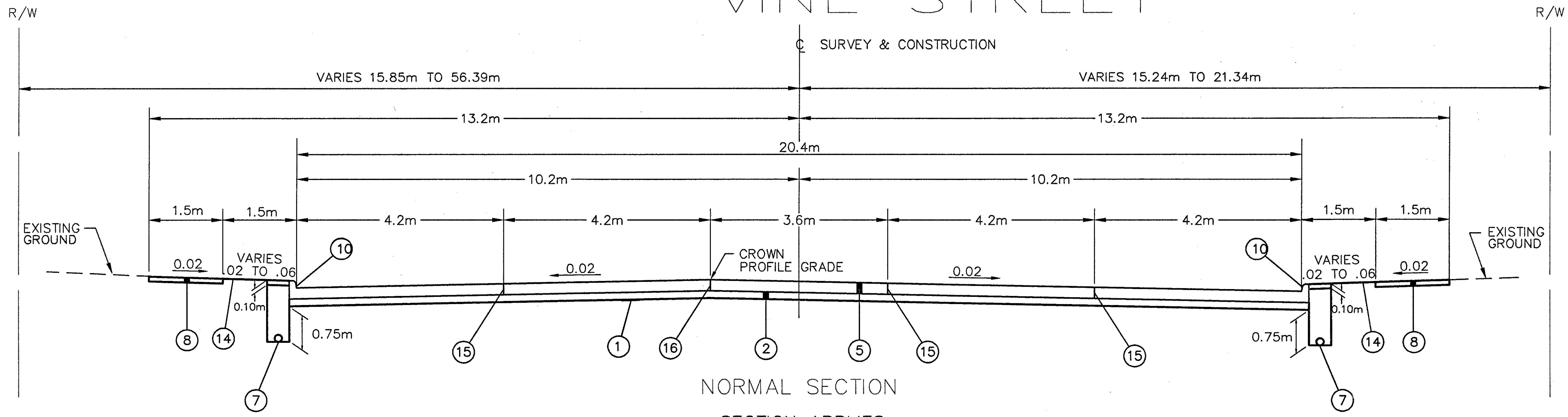
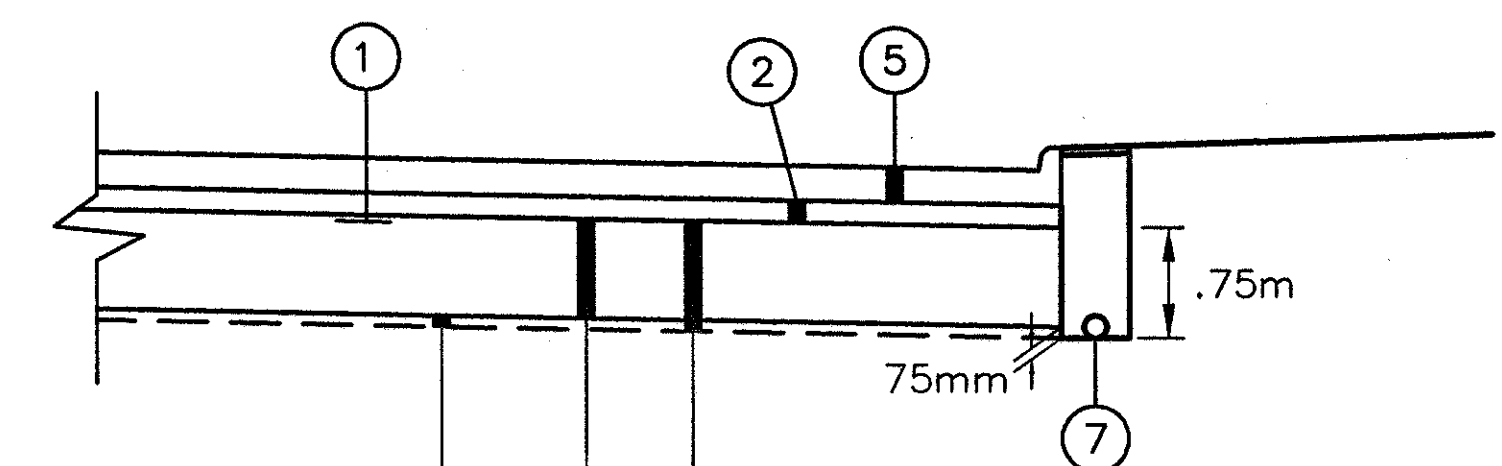


TYPE 451 VINE STREET

CALCULATED
 CHECKED
 TYPICAL SECTION
 STA. 4+015.15 TO STA. 4+358.65
 LAK-640-3.444
 5
 214



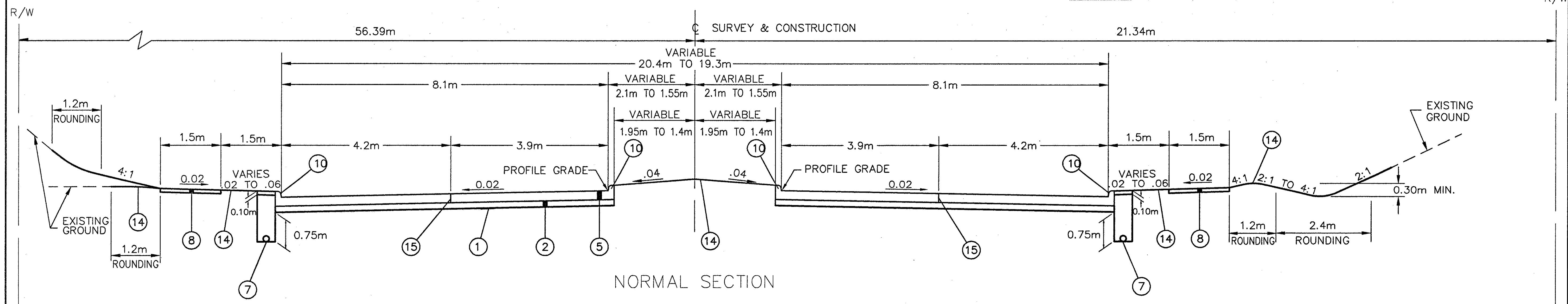
NORMAL SECTION
SECTION APPLIES:
STA 4+015.15 TO STA 4+236.73 = 221.58m



ITEM 203 - UNDERCUT, AS DIRECTED BY ENGINEER
 ITEM 203 - GRANULAR MATERIAL TO BE USED AS BACKFILL
 ITEM 203 - EMBANKMENT
 COMPACTED AND APPROVED EARTH BACKFILL RAISED TO AN ELEVATION OF 75mm (MIN.) ABOVE FLOW LINE OF PROPOSED UNDERDRAIN WITH APPROVED SLOPE TO MAINTAIN POSITIVE DRAINAGE.

* NOTE: IF UNDERCUT DOES NOT EXCEED UNDERDRAIN DEPTH THEN COMPACTED EARTH BACKFILL WILL NOT BE REQUIRED.

UNDERCUT DETAIL



NORMAL SECTION
SECTION APPLIES:
STA. 4+236.73 TO STA. 4+358.65 = 121.92m

FOR LEGEND, SEE SHEET NO. 3

NOTE: GRADING BEHIND CONCRETE WALK APPLIES TO EITHER SIDE OF VINE STREET.