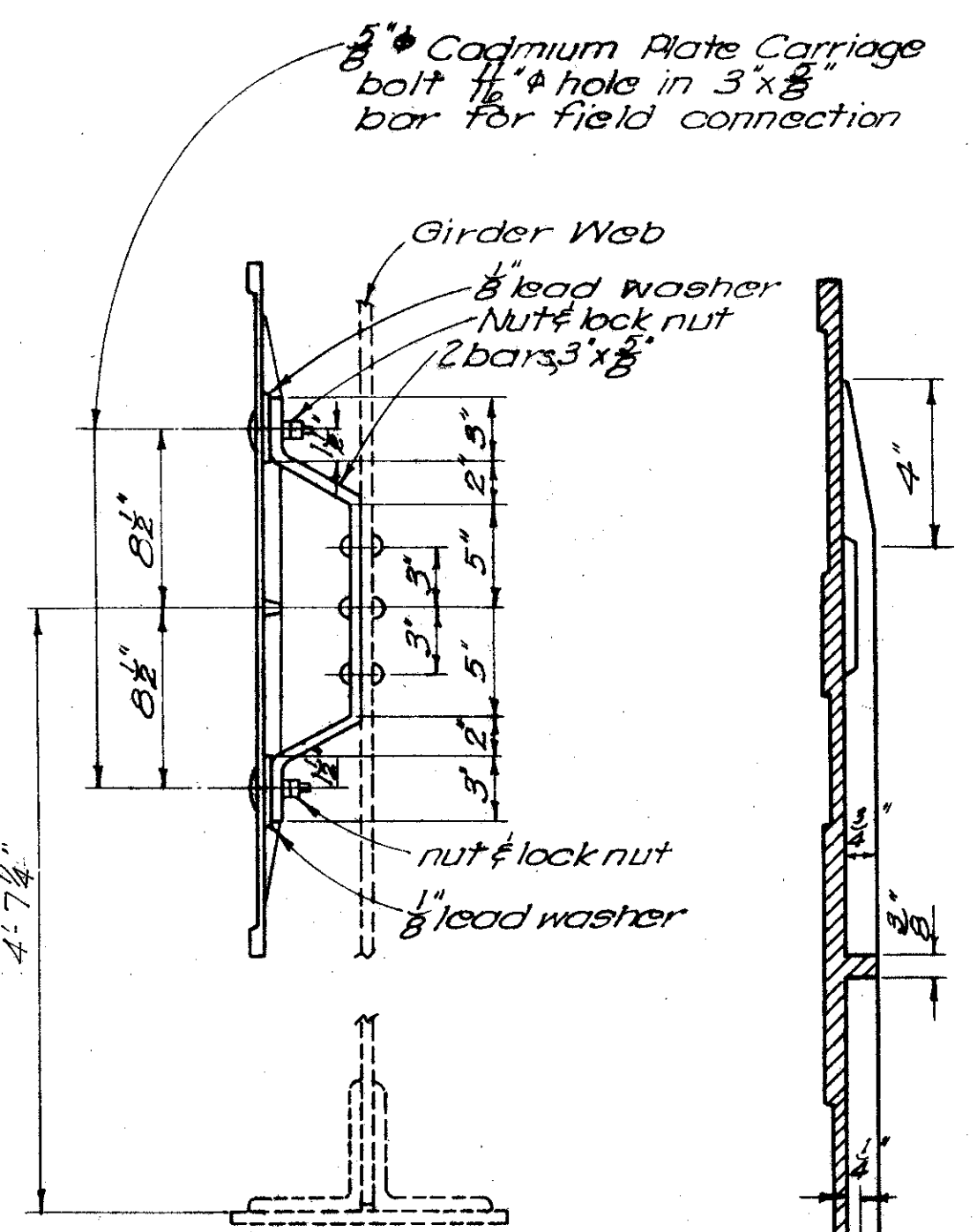


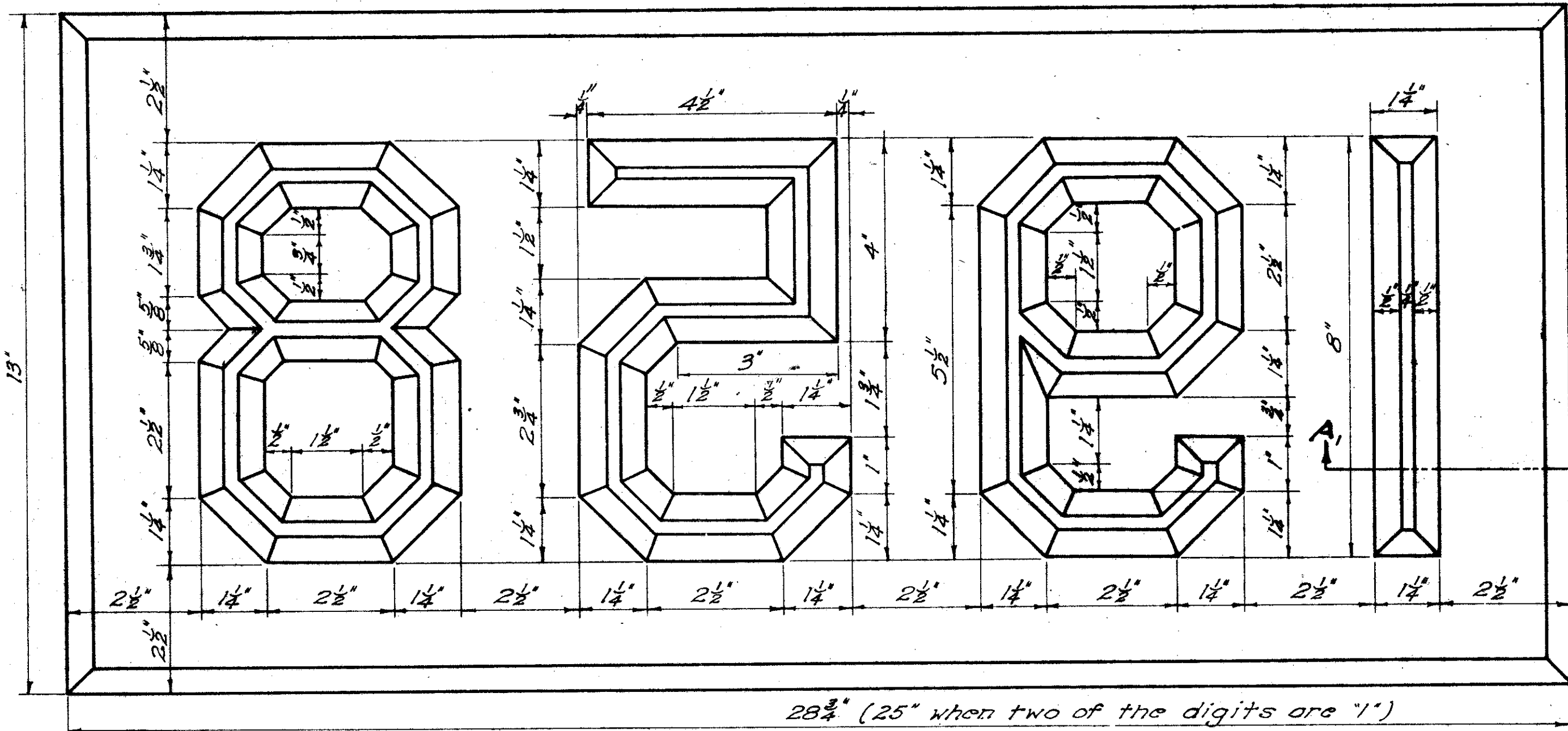
DETAIL OF SIGN
(2 REQUIRED)

NOTE
Sign plates shall be included with structural steel for payment.



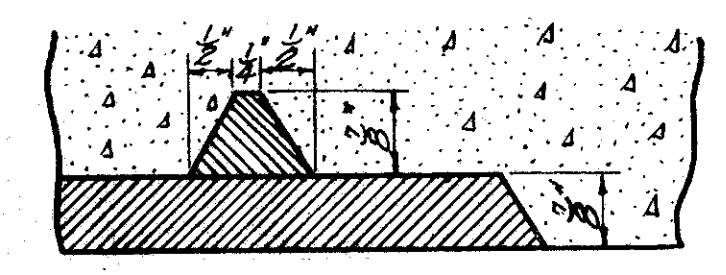
FASTENER
3 x 3/8 bars shall be so detailed that the monogram will fit normal to the E of highway.
Grind smooth

Pattern No. S.C. 14954
Pattern stored at Elkhart, Ind.
% Supt. of Foundry, N.Y.C.R.R.



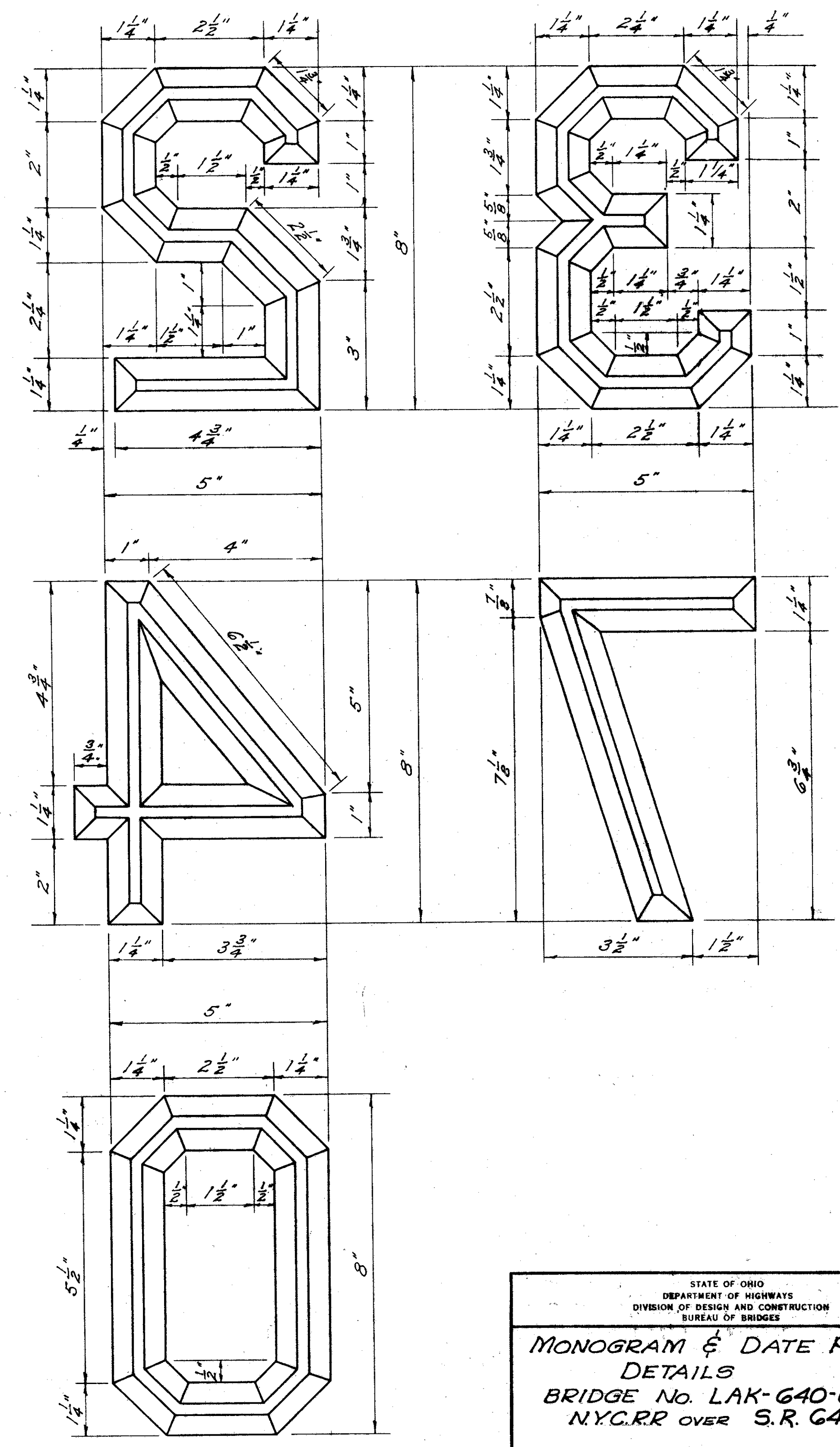
STANDARD DATE PLATE FORM

Location of, and date used in, Date Plates shall be as directed by the Engineer.



SECTION A-A

SIGN PLATE NOTES
CAST IRON: Material shall conform to ASTM Specs. A-48, Class 25
CASTING shall be free from pit holes and the surface of the border and of the letters shall be smoothly finished.
FINISH:
 First; thoroughly remove all scale and rust
 Second; paint entire casting with two coats of red lead
 Third; paint black with one coat of pure linseed oil carbon black paint
 Fourth; paint letters, border and edges with two coats of white enamel paint
 Fifth; paint face except for letters, border and edges, with two coats of black enamel paint; then sift on black smalt.



STATE OF OHIO DEPARTMENT OF HIGHWAYS DIVISION OF DESIGN AND CONSTRUCTION BUREAU OF BRIDGES						
MONOGRAM & DATE PLATE DETAILS						
BRIDGE No. LAK-640-0282 N.Y.C.R.R. OVER S.R. 640						
LAKE COUNTY				STA. 149+06.60		
DESIGNED	DRAWN	TRACED	CHECKED	REVIEWED	DATE	REVISIT
	RHD	JVP	CPD	BFG	9.8.59	8-18-59