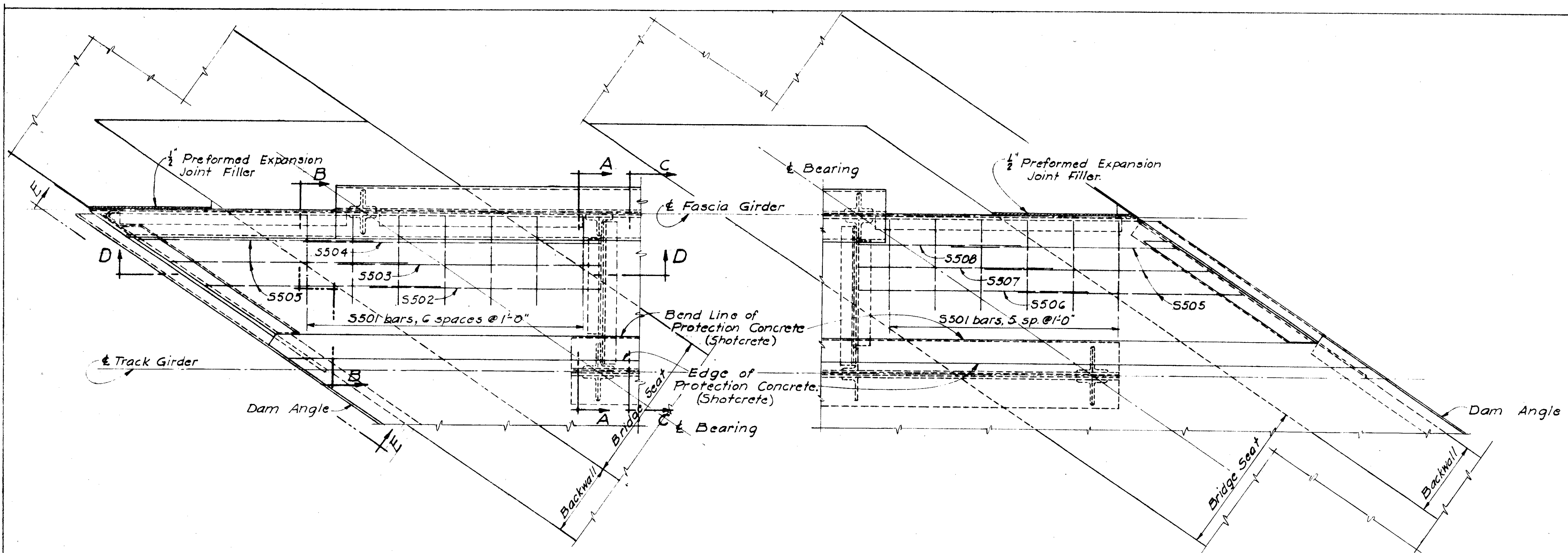
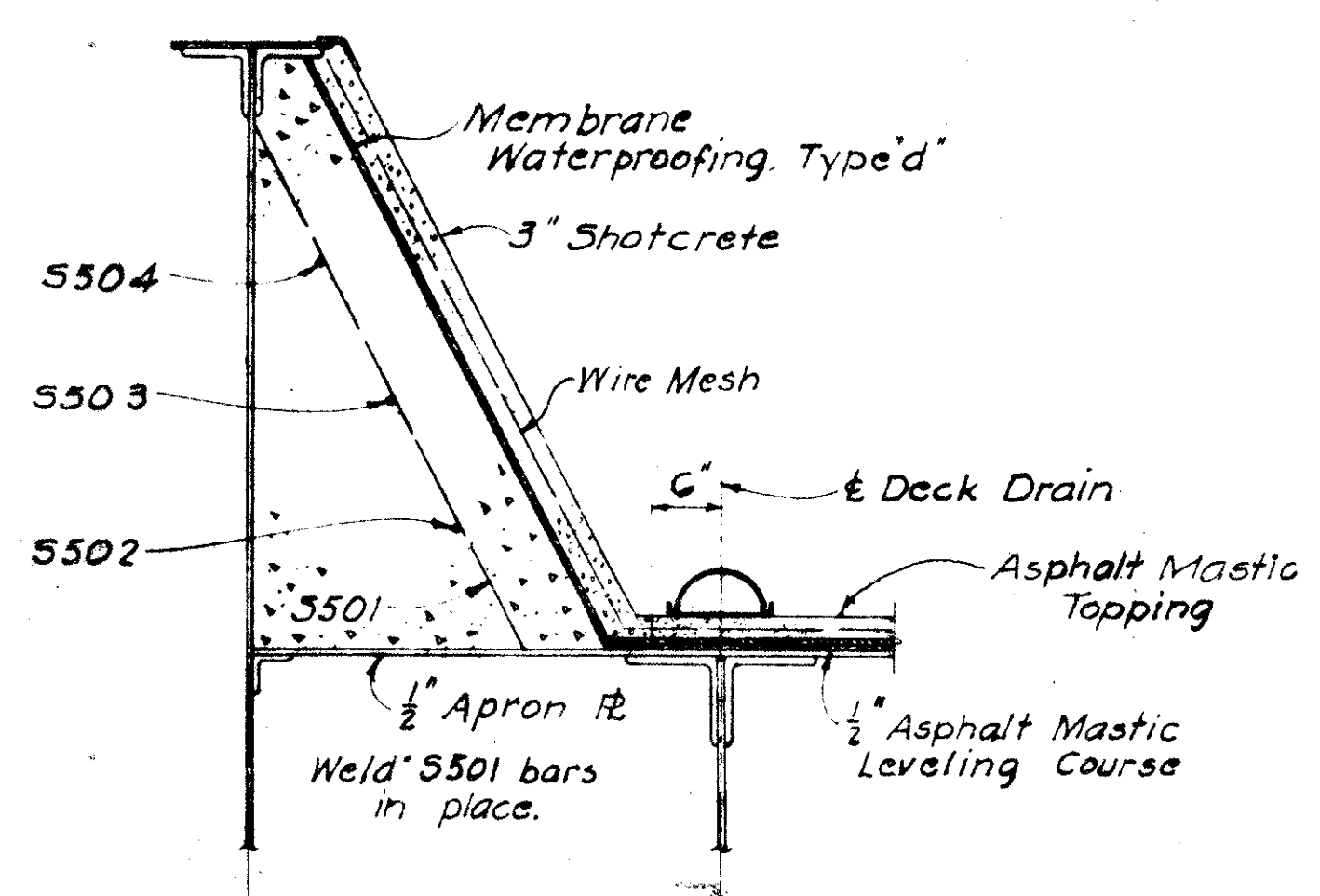


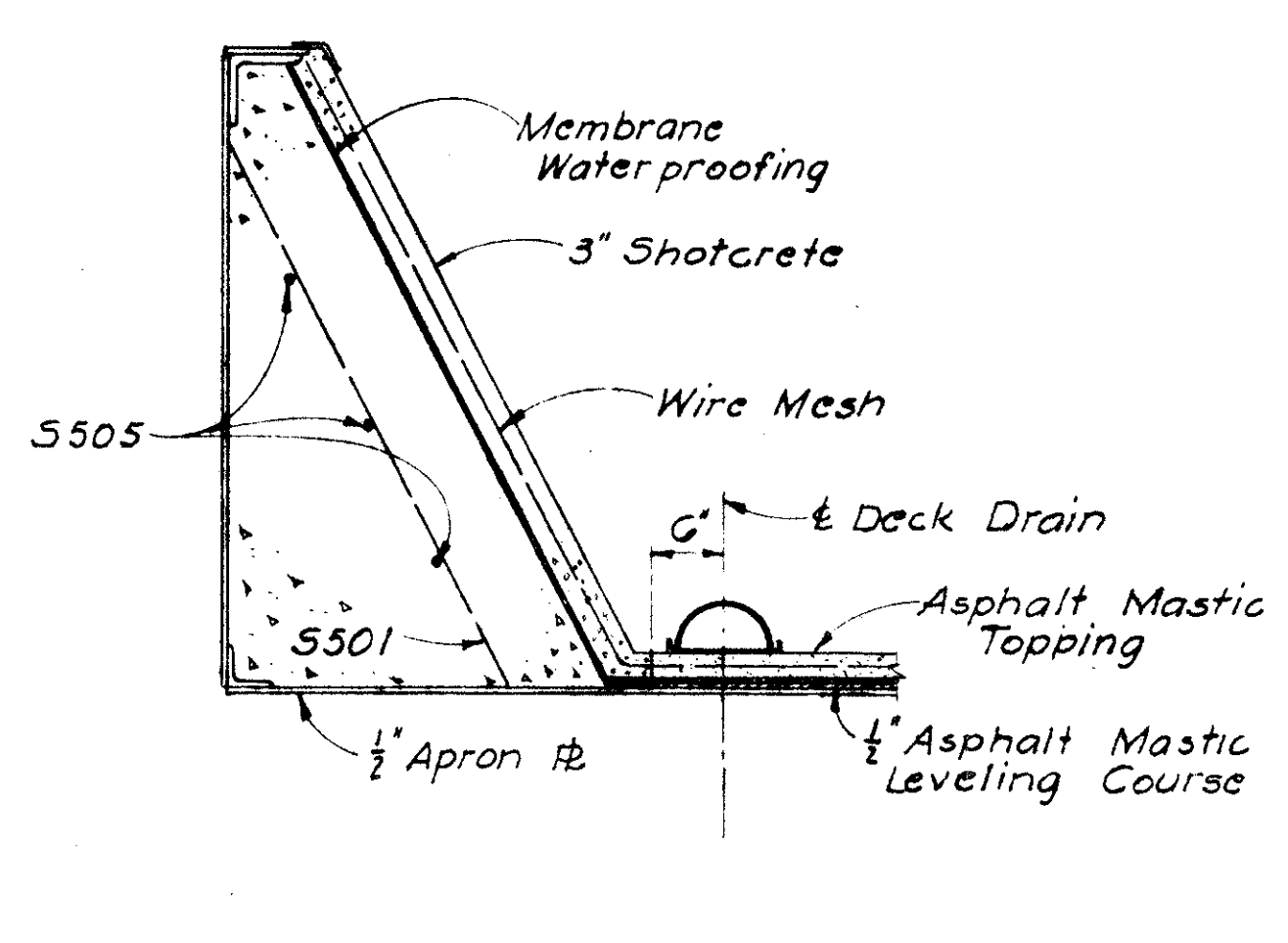
LAK - 640 - 2.56



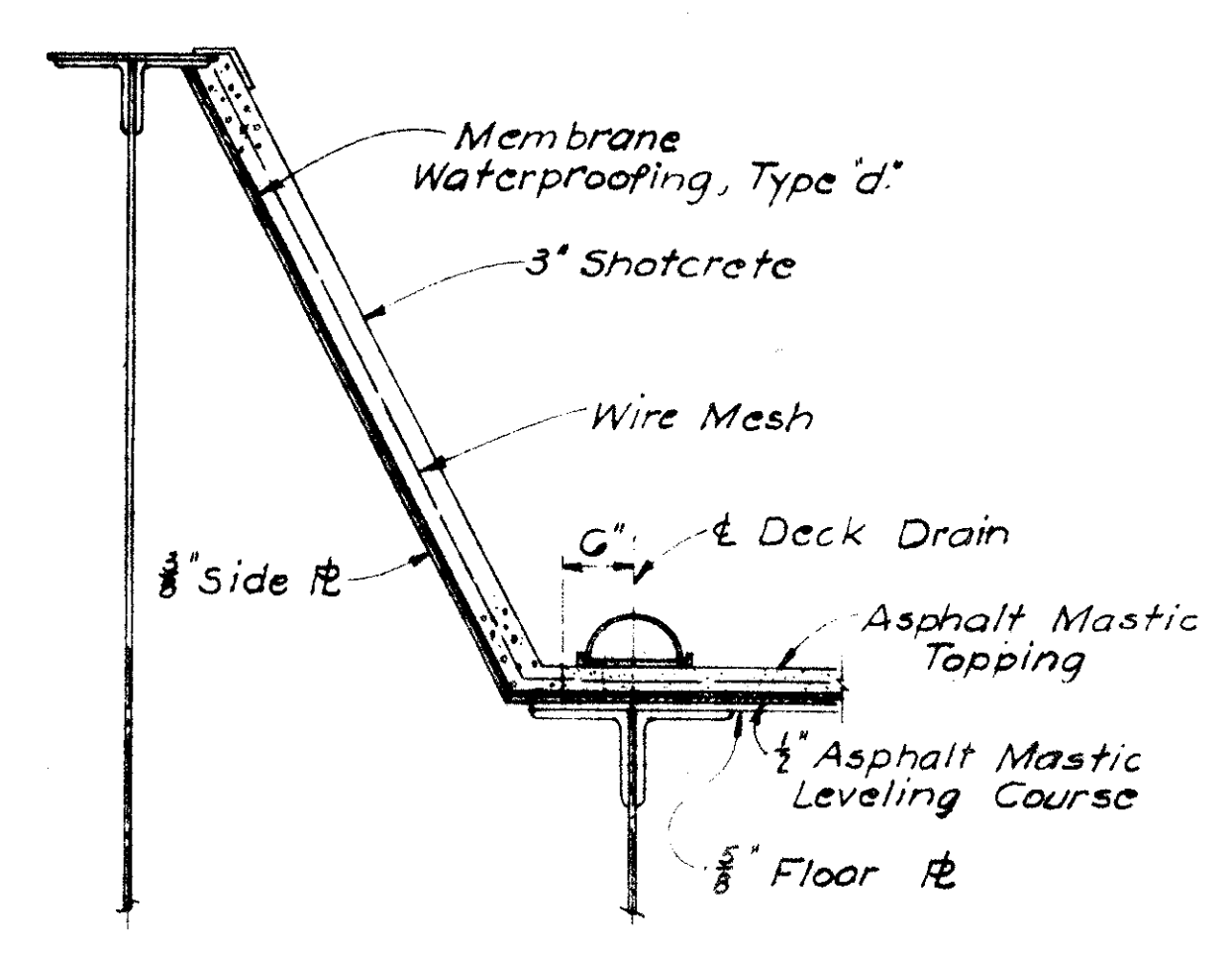
PLAN OF CORNERS



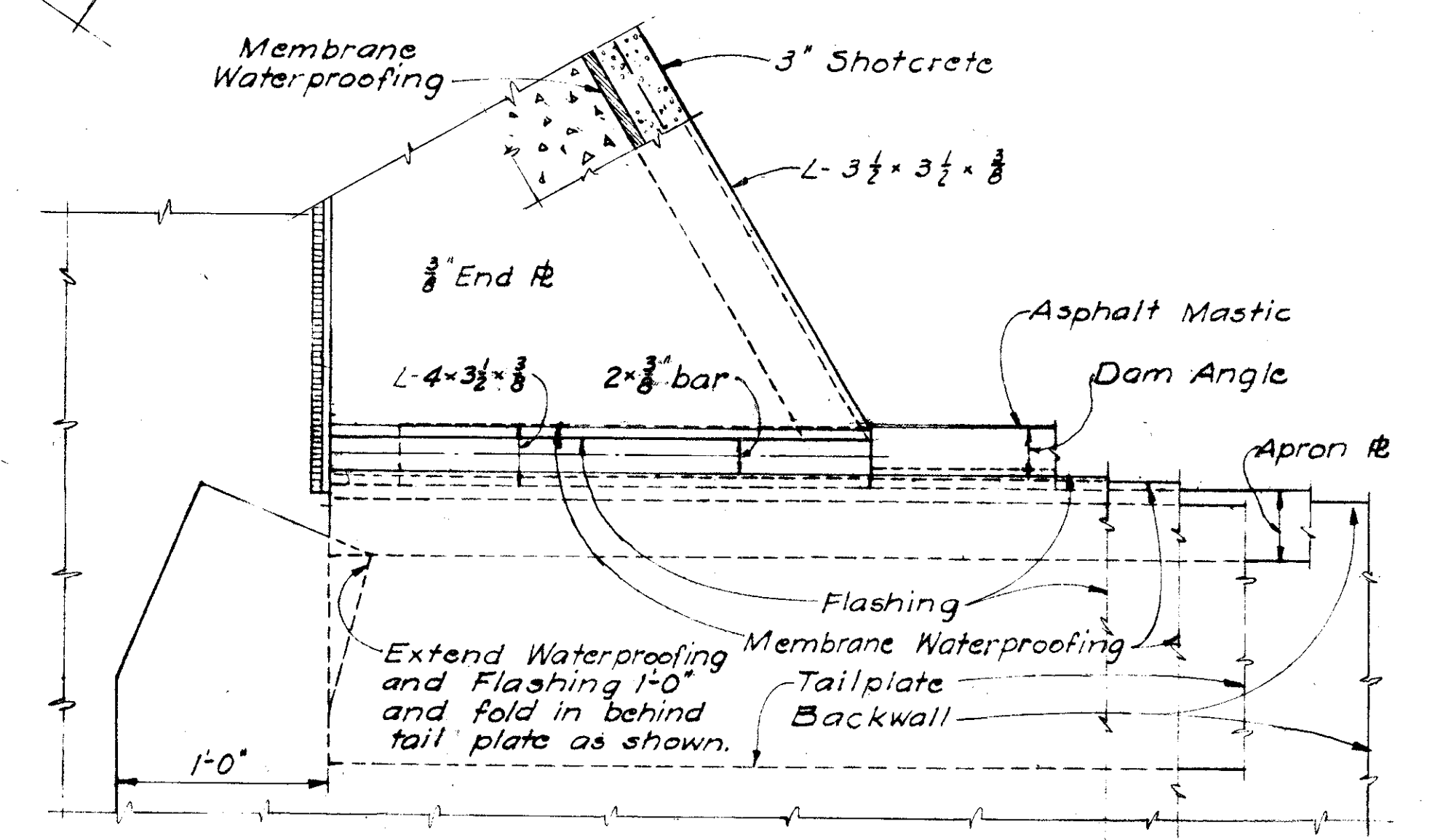
SECTION A-A



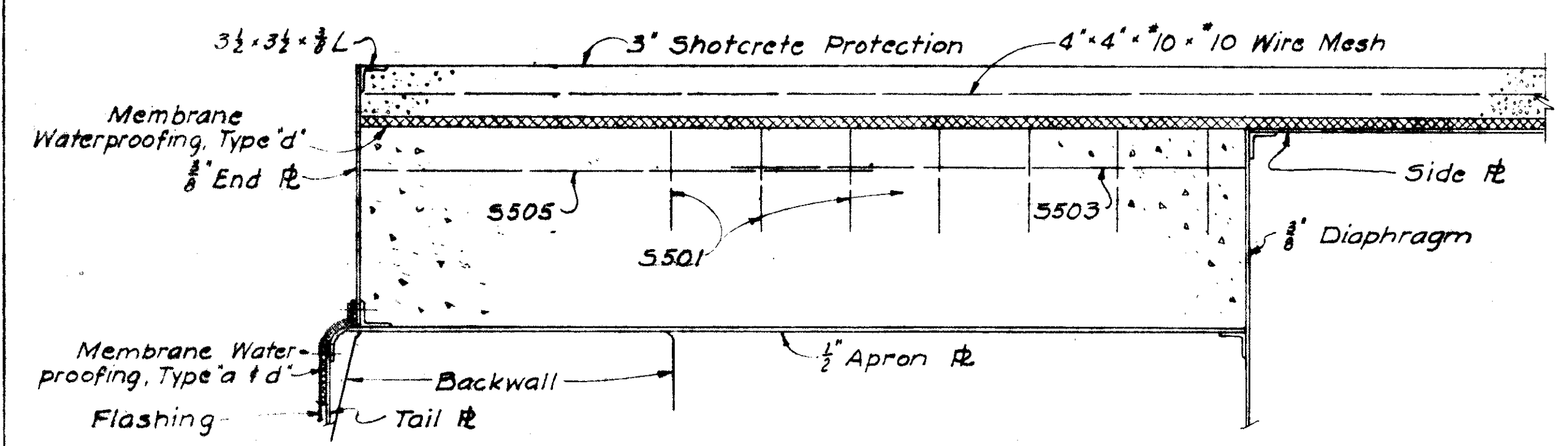
SECTION B-B



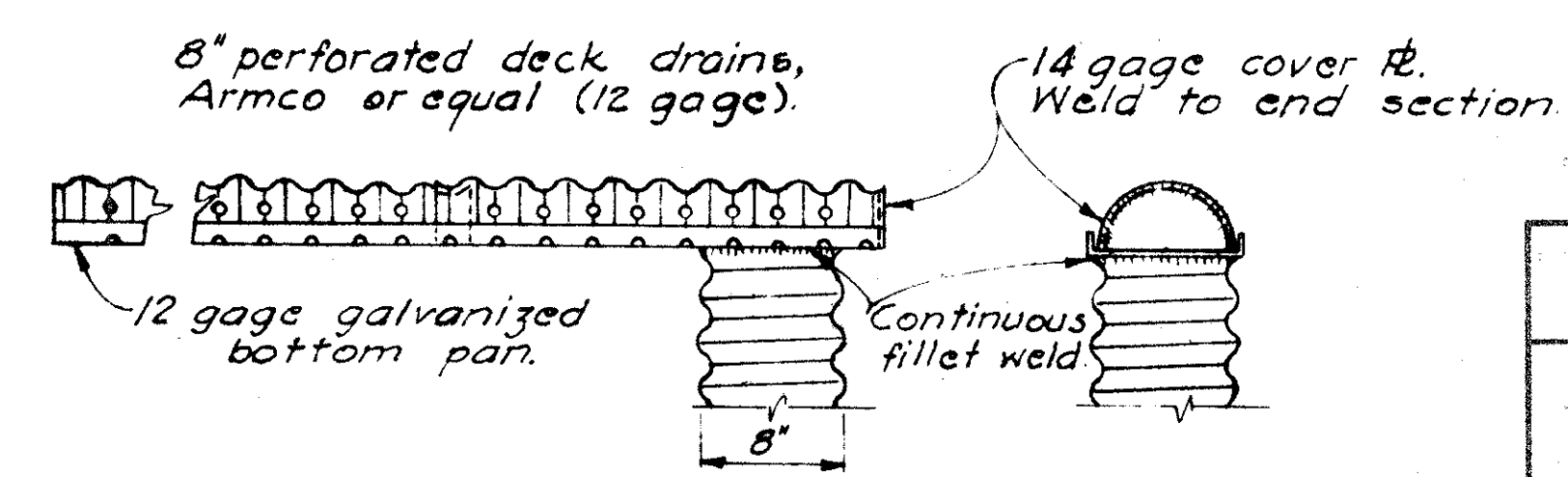
SECTION C-C



VIEW E-E



SECTION D-D



DETAILS OF SPECIAL CONNECTION

STATE OF OHIO DEPARTMENT OF HIGHWAYS DIVISION OF DESIGN AND CONSTRUCTION BUREAU OF BRIDGES						
SUPERSTRUCTURE DETAILS						
BRIDGE No. LAK-640-0282 NYC.RR OVER SR 640						
LAKE COUNTY				STA 149+06.60		
DESIGNED	DRAWN	TRACED	CHECKED	REVIEWED	DATE	REVISED
CPD	CPD		WCK	BFG	9-23-59	