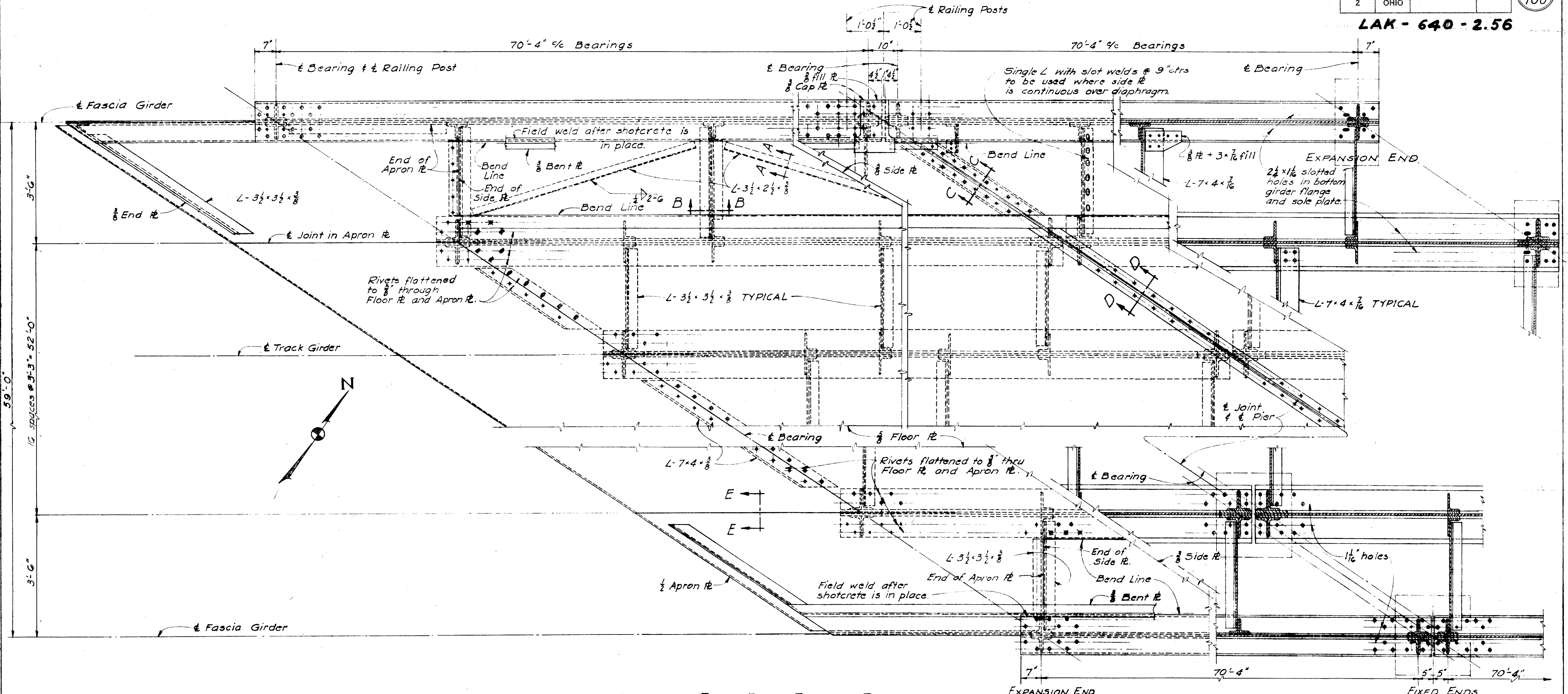
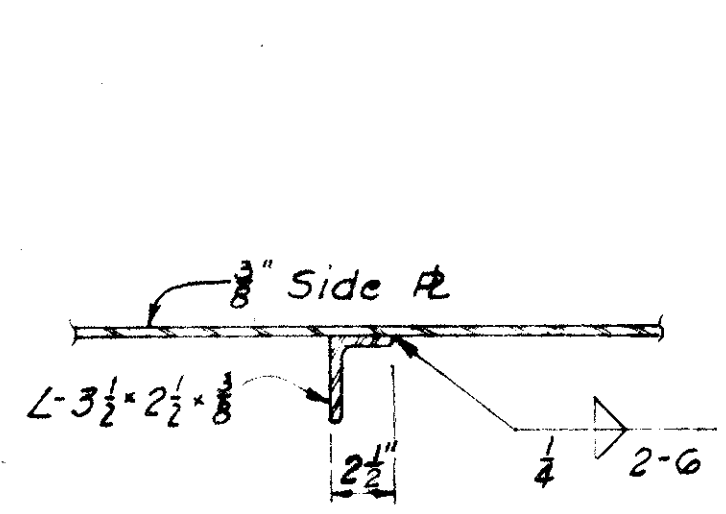


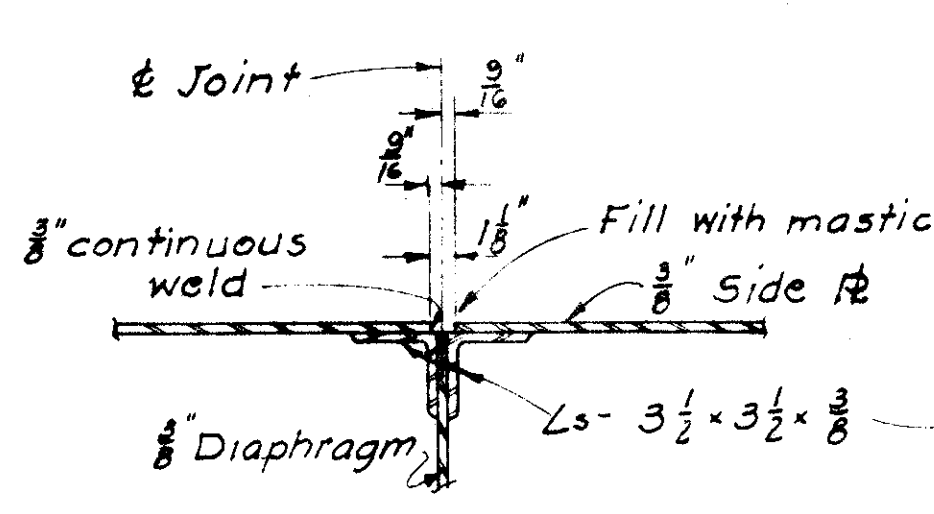
LAK - 640 - 2.56



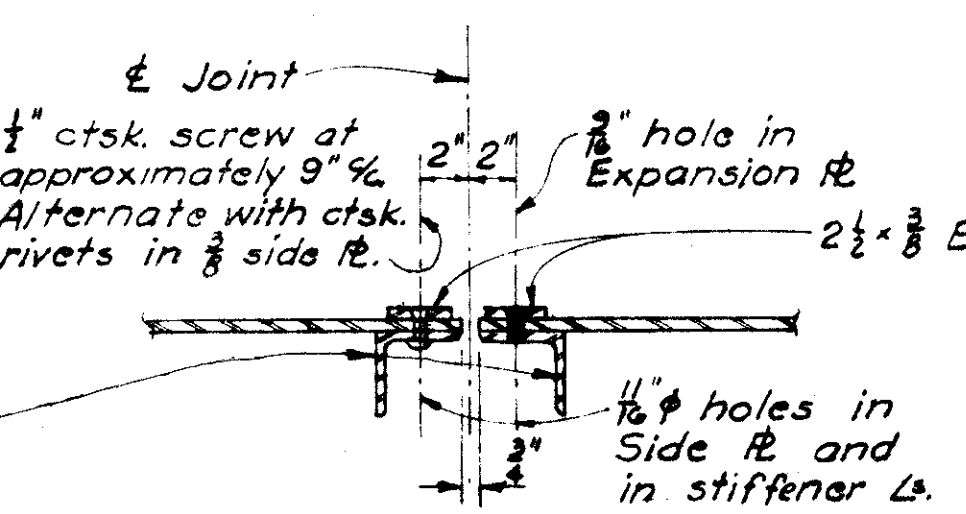
PART STEEL FRAMING PLAN



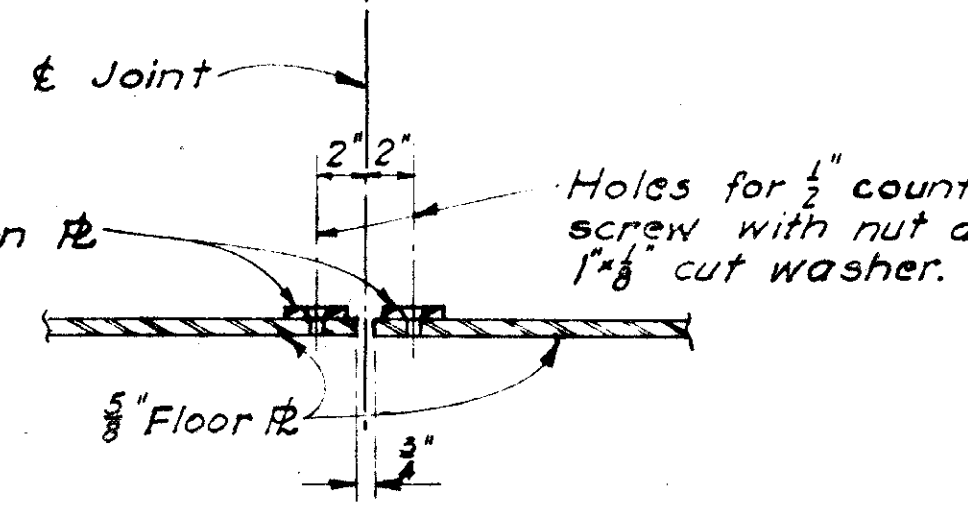
SECTION A-A



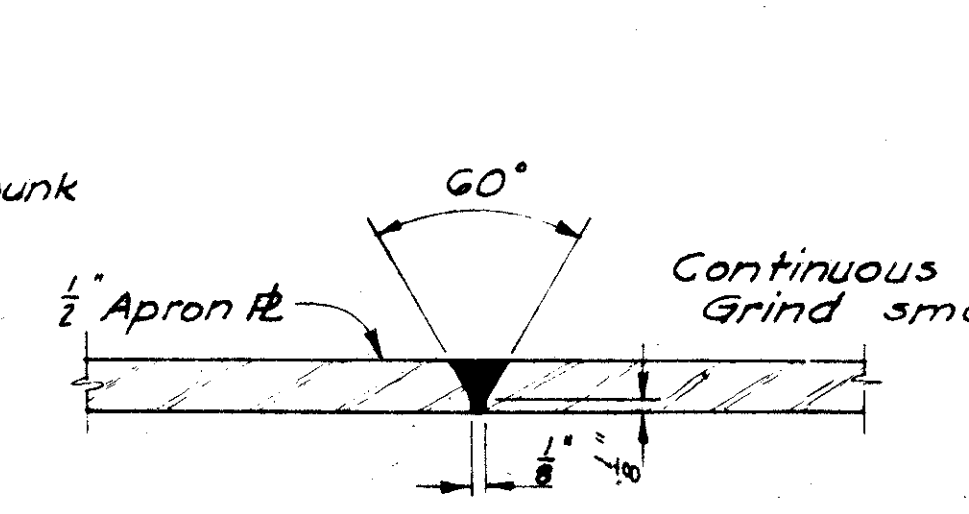
SECTION B-B



SECTION C-C



SECTION D-D



SECTION E-E

STATE OF OHIO  
DEPARTMENT OF HIGHWAYS  
DIVISION OF DESIGN AND CONSTRUCTION  
BUREAU OF BRIDGES

**SUPERSTRUCTURE DETAILS**  
BRIDGE No. LAK-640-0202  
NYC.RR OVER SR 640

LAKE COUNTY STA 149+06.60

DESIGNED	DRAWN	TRACED	CHECKED	REVIEWED	DATE	REVISED
CPD	CPD		WCK	BFG	8-3-59	