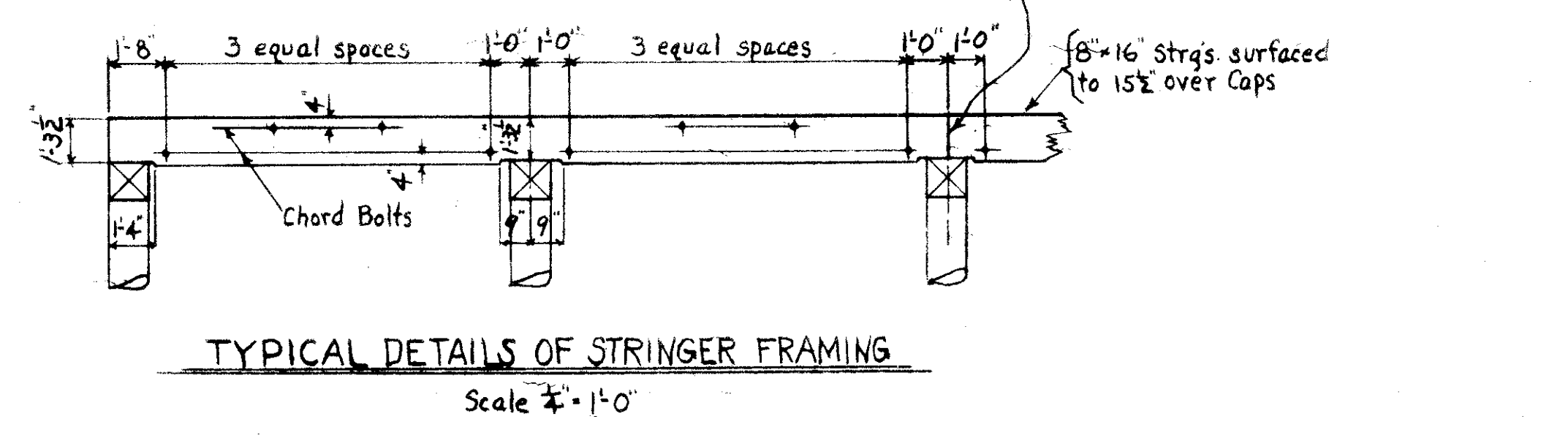
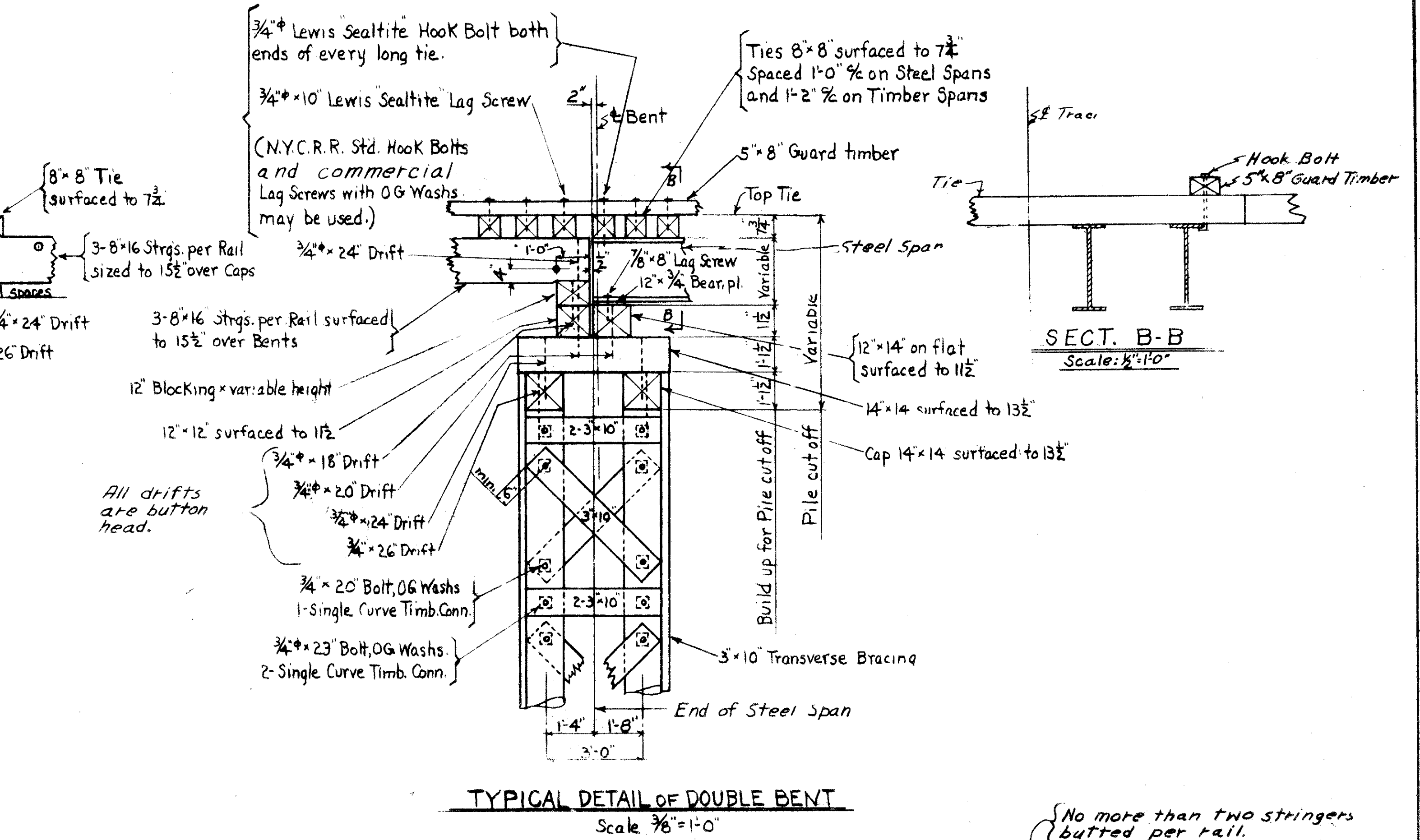
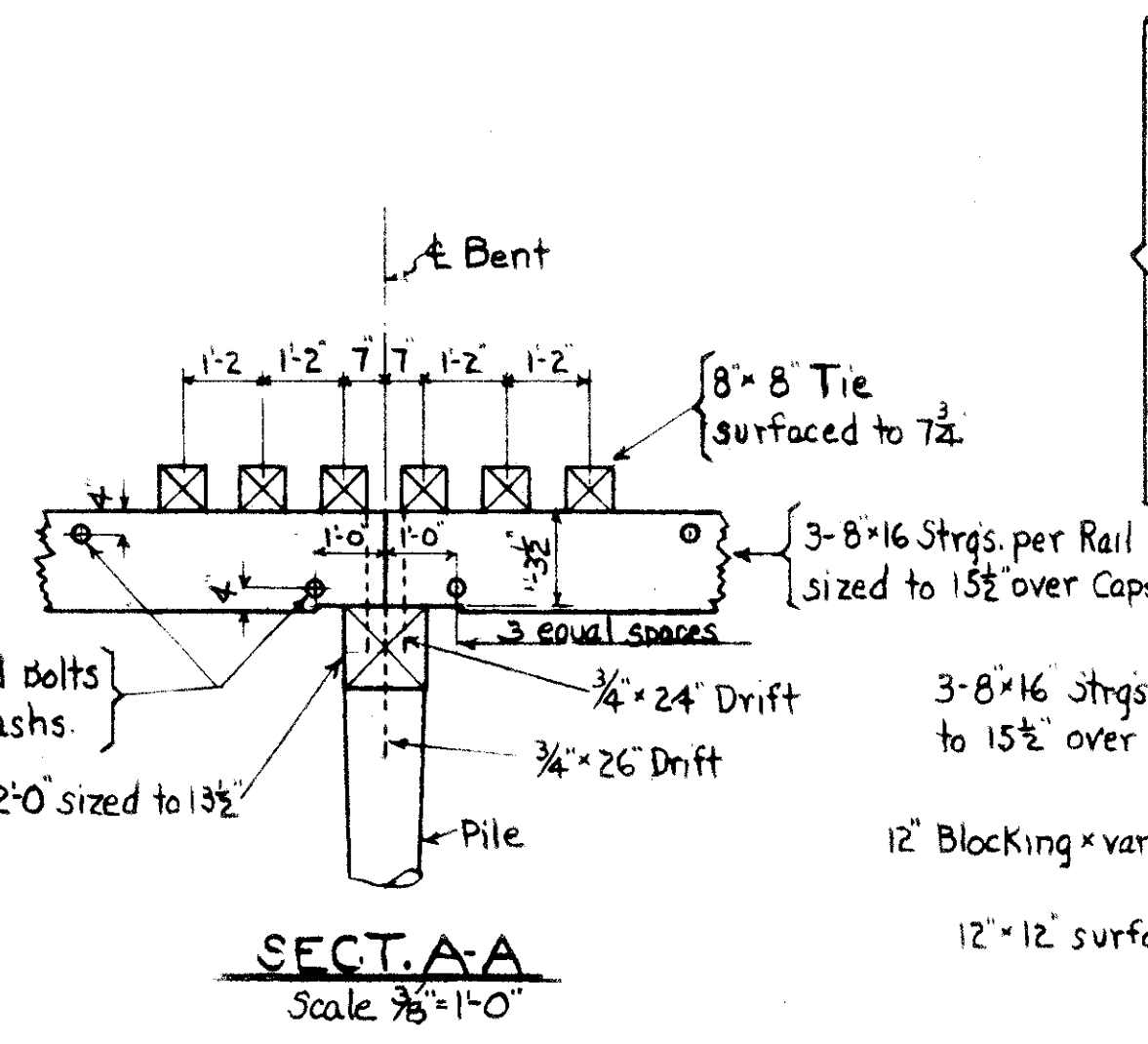
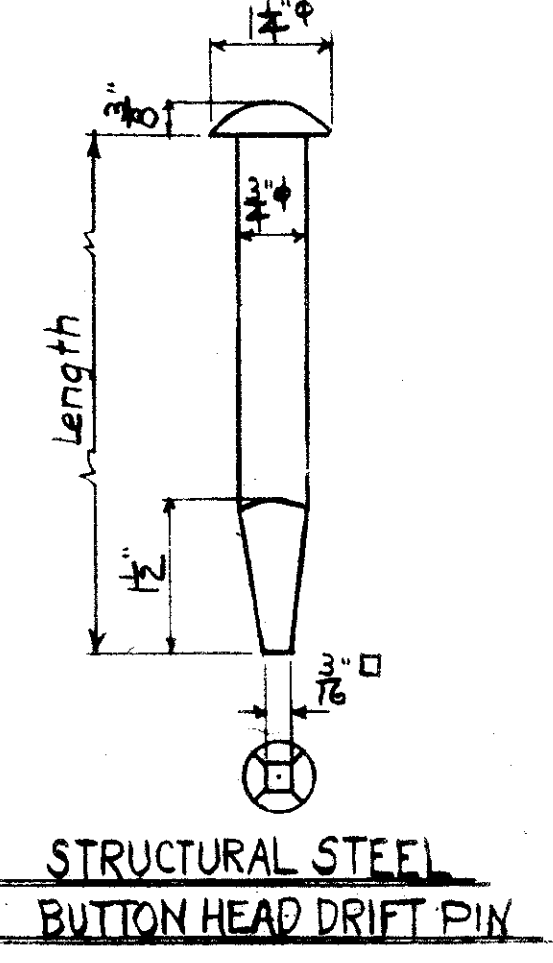
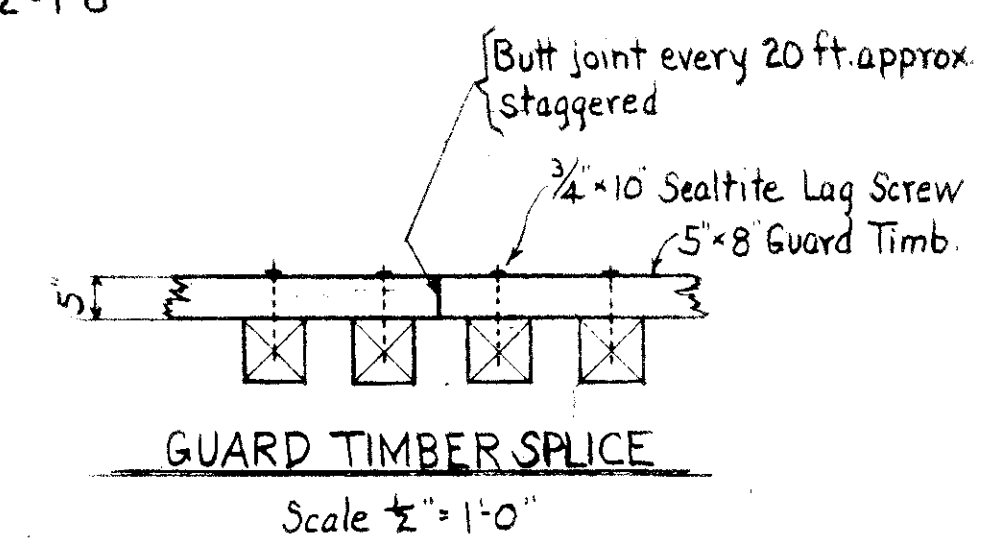
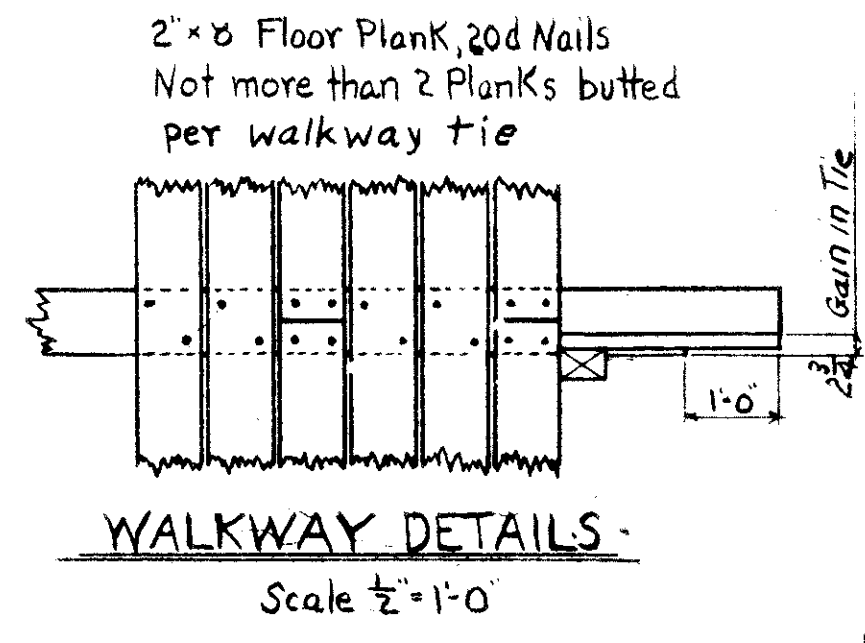
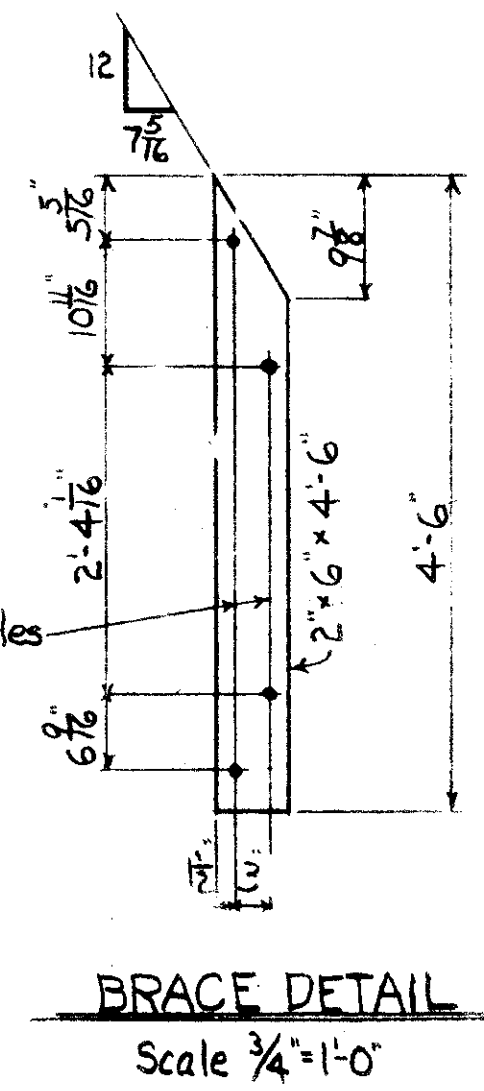
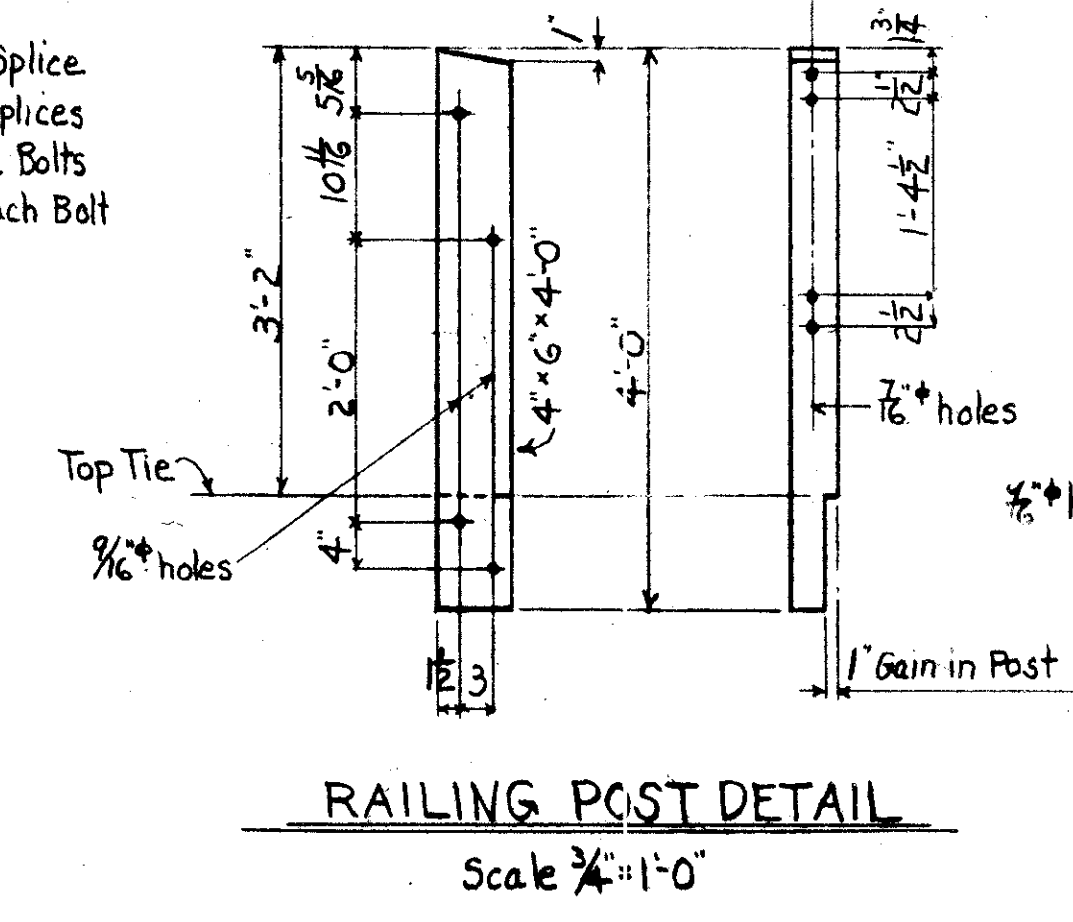
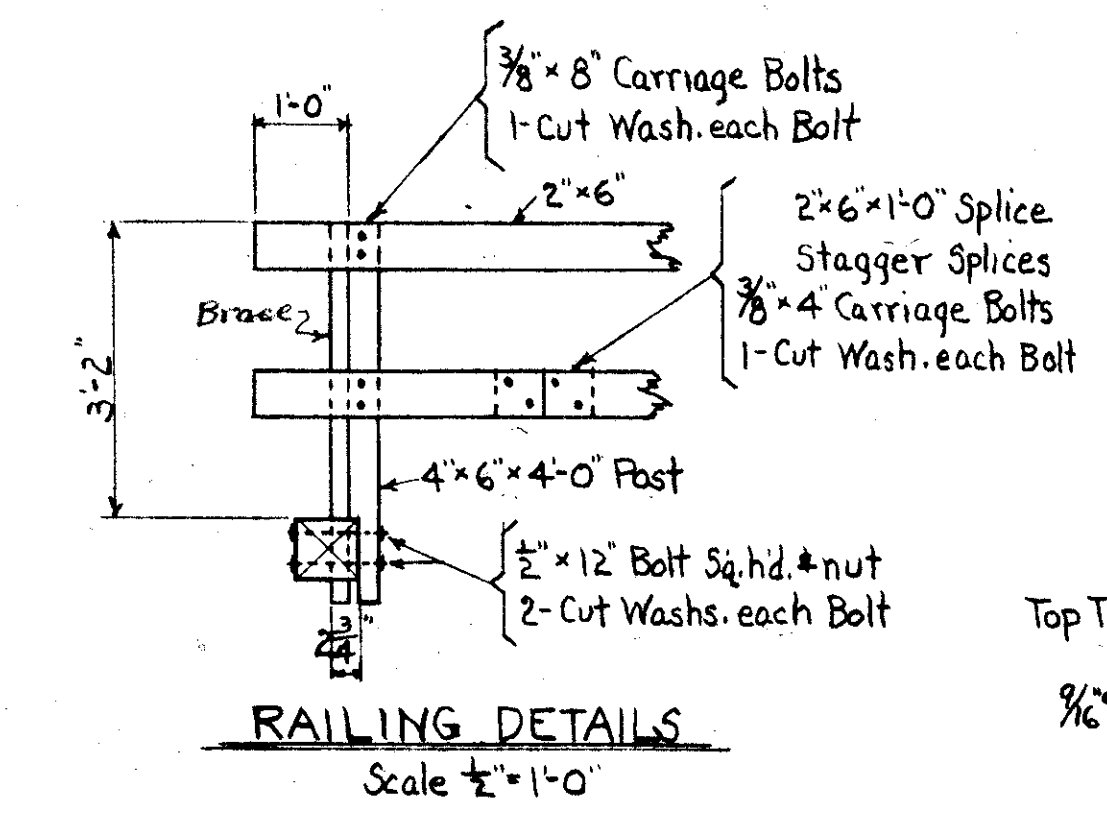
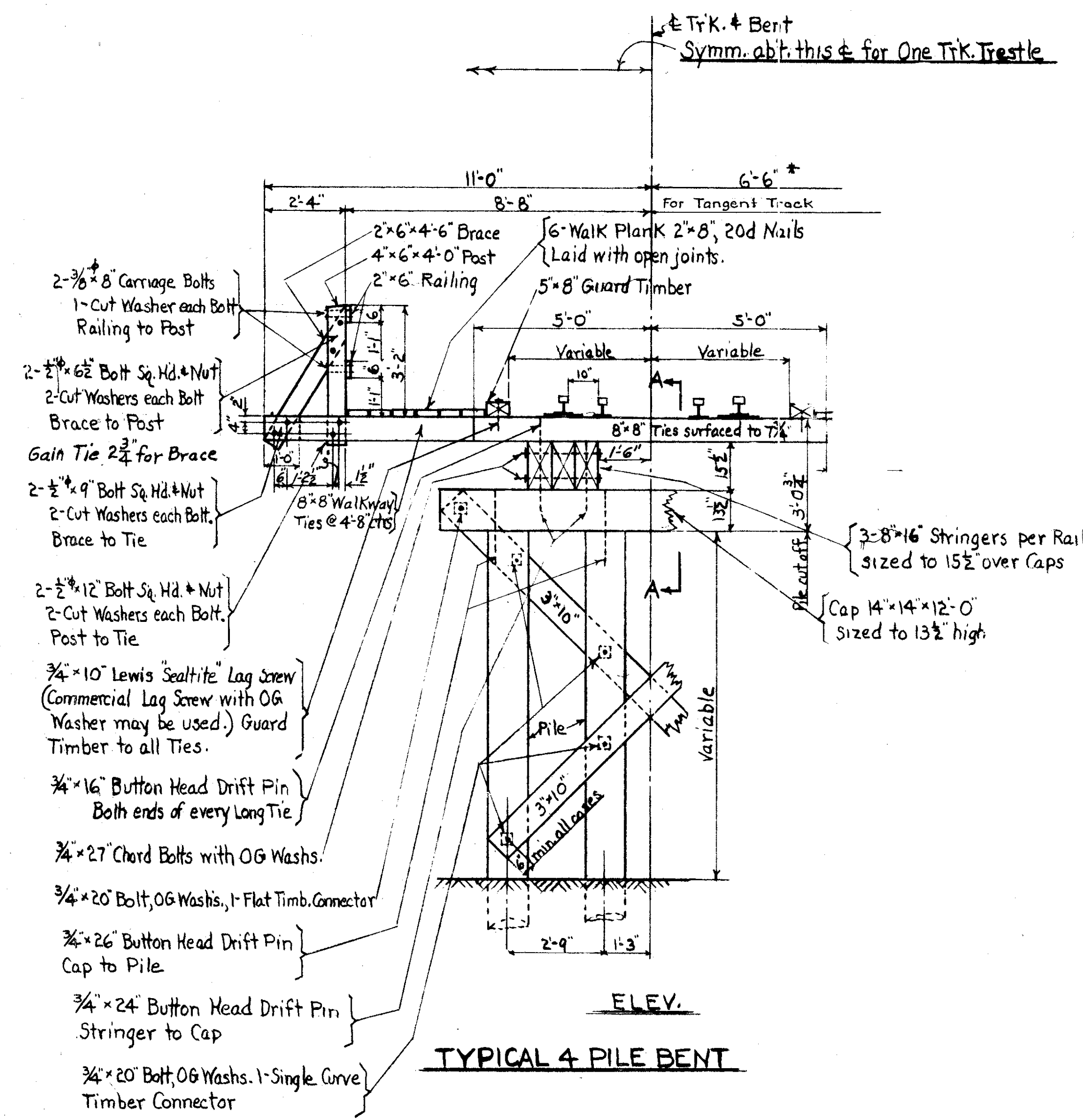


LAK-640-2.56



Correct *J. L. Beckel*
Engineer of Structures
Approved *C. E. Depudaf*
Chief Engineer

Date	By	REVISIONS Description

Highway Bridge No. LAK-640-0282
N.Y.C. SYSTEM OFFICE OF CHIEF ENGINEER NEW YORK, N.Y.
BR #567 ERIE GRADE SEPARATION
VINE STREET
WILLOUGHBY, OHIO
TEMPORARY TRESTLES-TYPICAL DETAILS
Western District Lake Division Sheet 7 of 7
Scale: Sept. 3, 1959 Vol. Sec. 203 File No. 93207