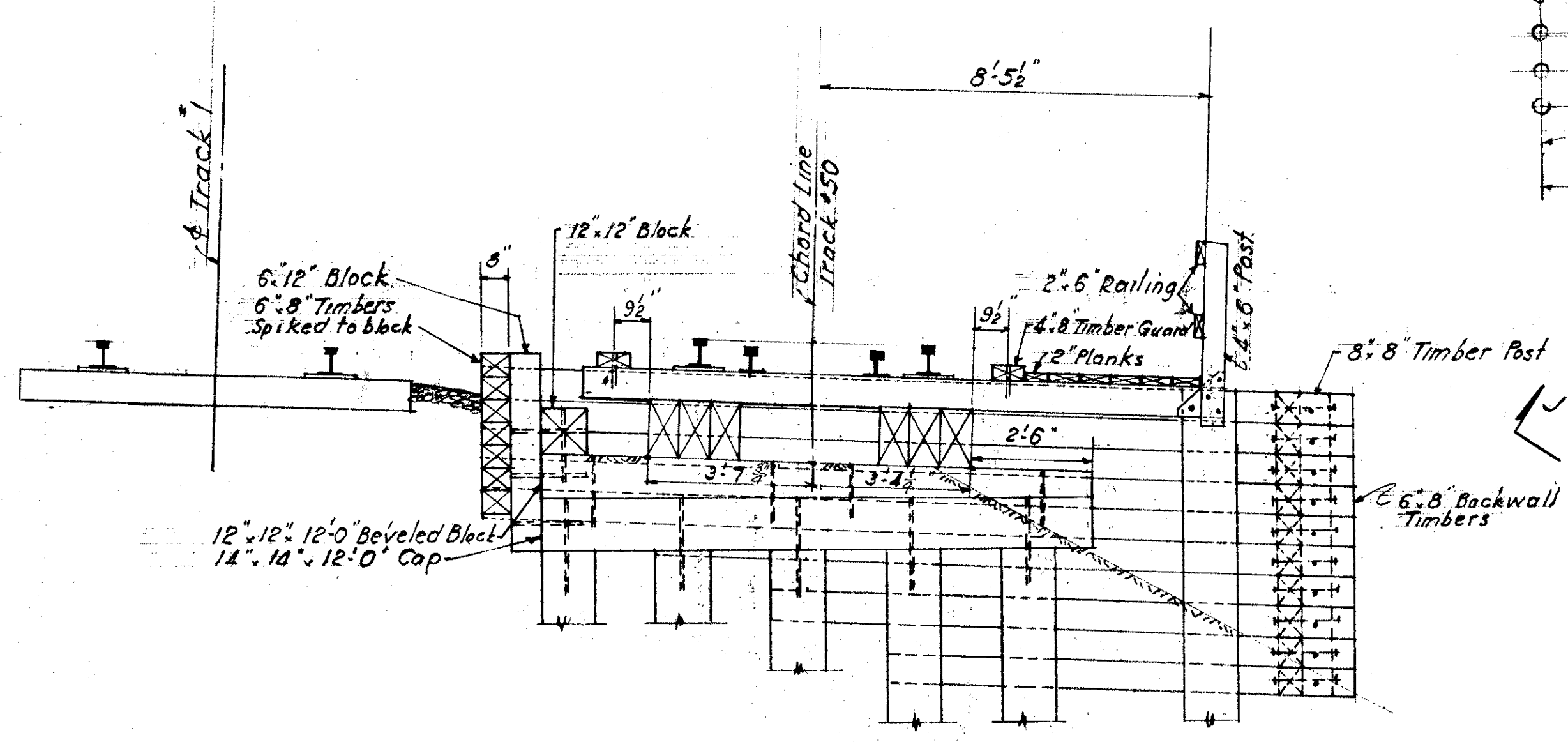
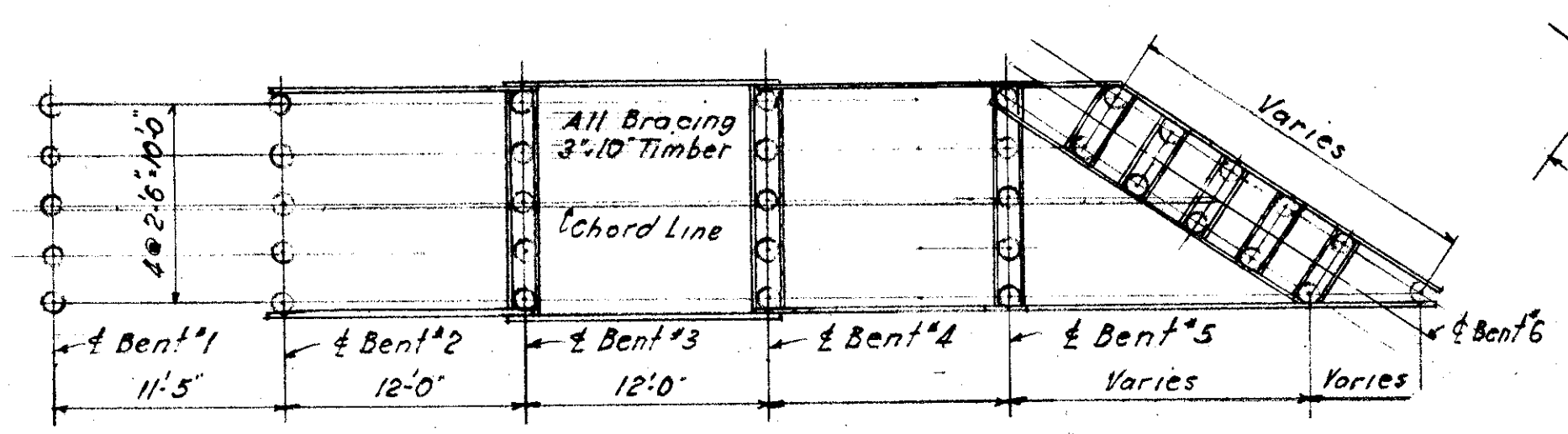


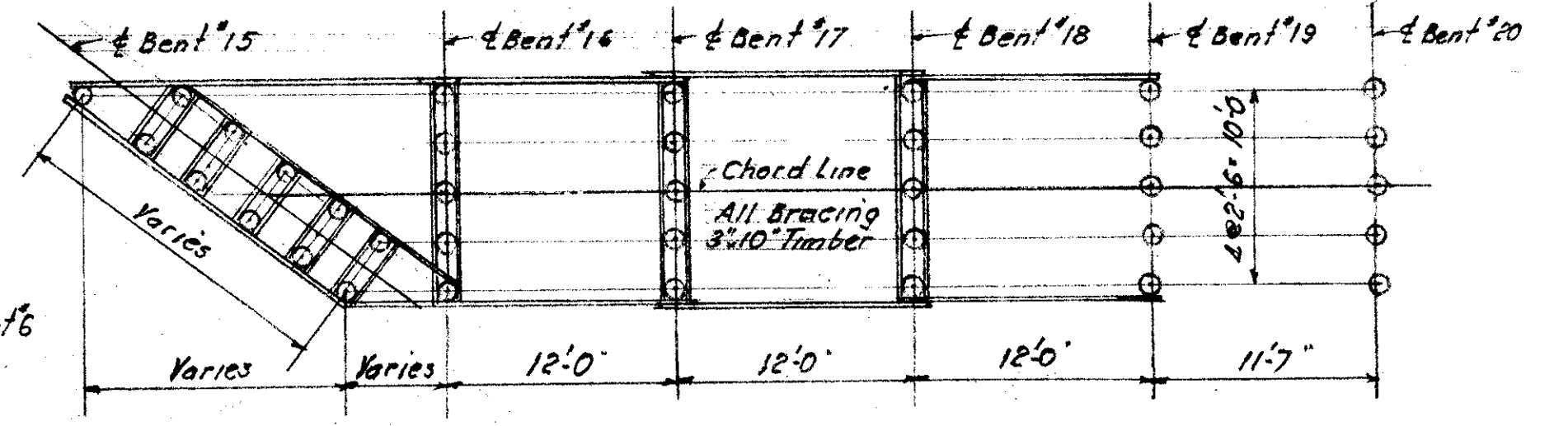
LAK-640-2.56



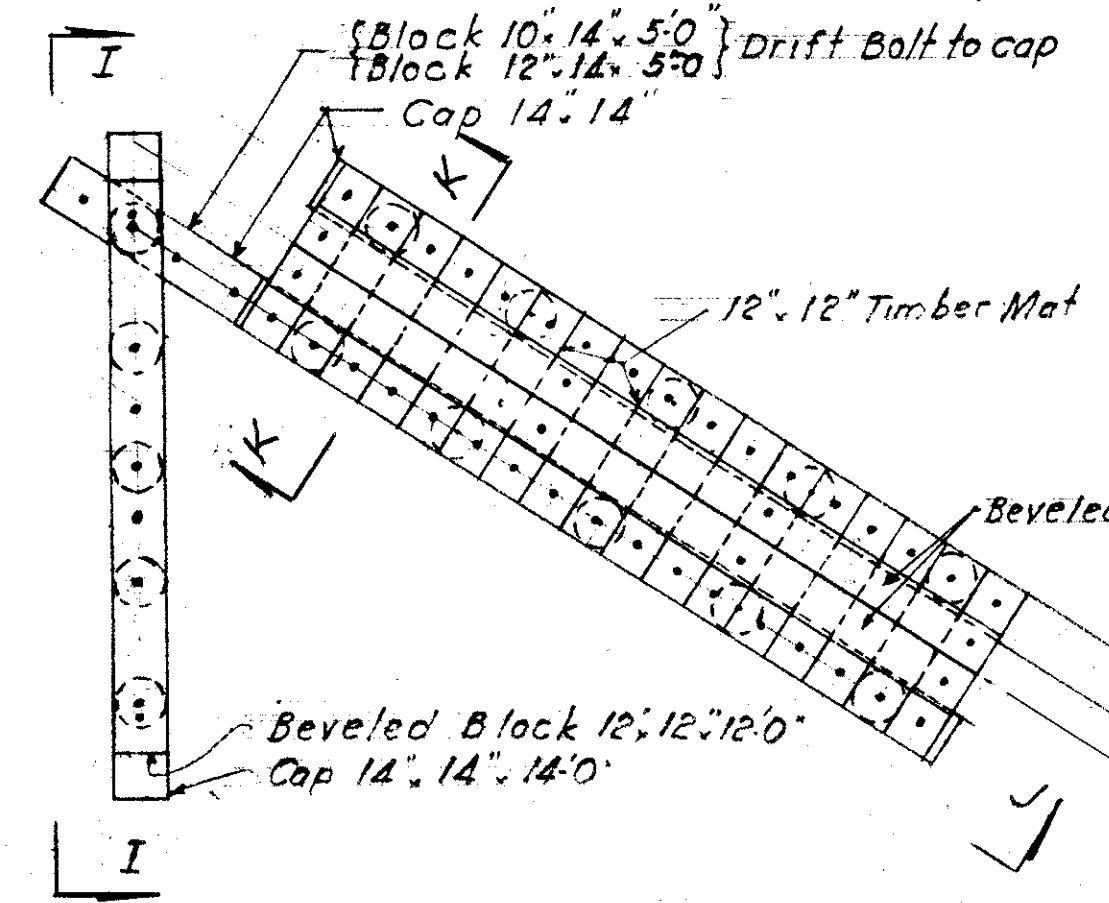
SECTION D-D  
Scale 3/4" = 1'-0"  
For location, see sheet #2, 5/16



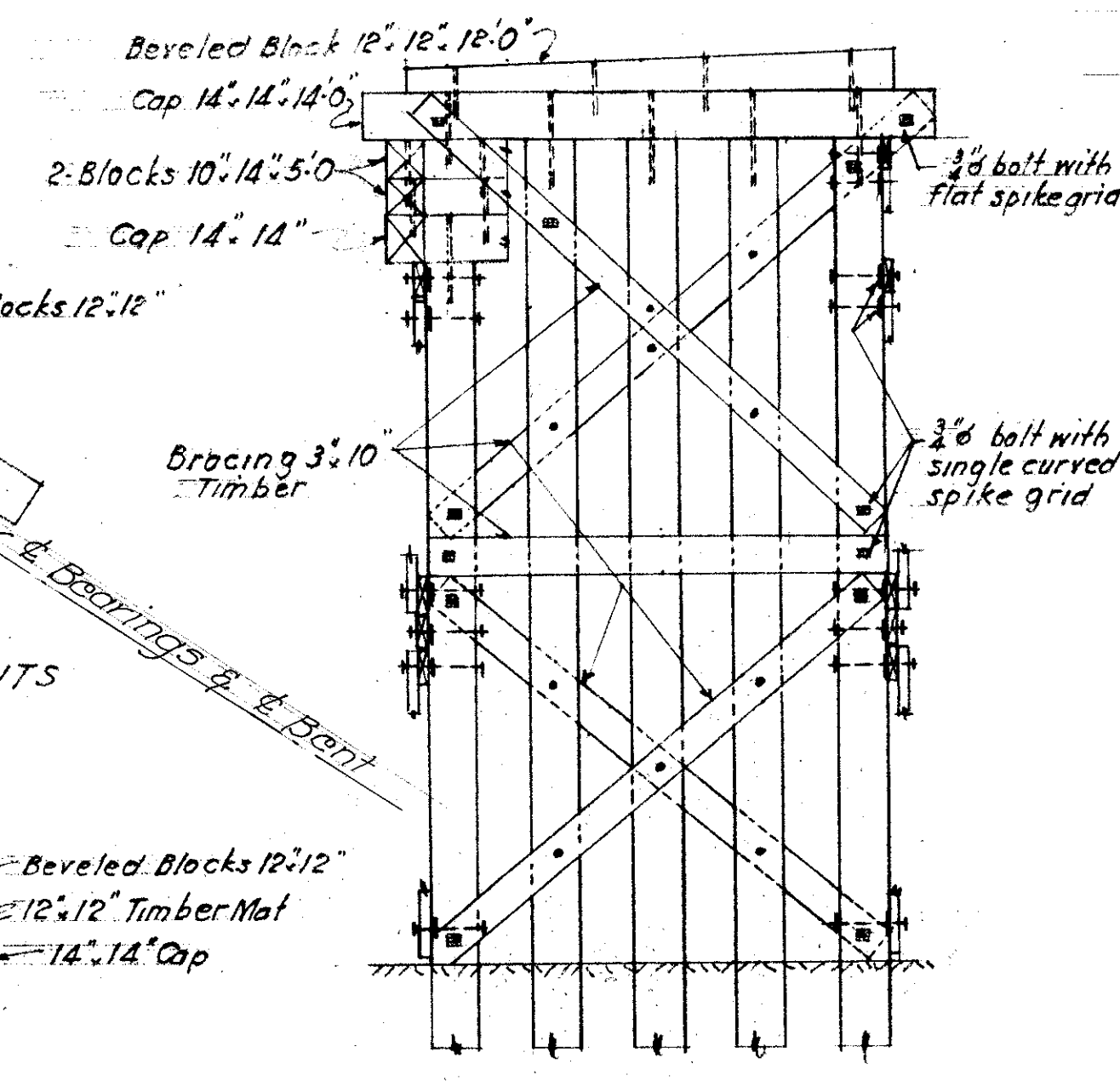
SECTION H-H  
SHOWING PILE BRACING  
Scale 1/2" = 1'-0"  
For location, see sheet #2, 5/16



SECTION G-G  
SHOWING PILE BRACING  
Scale 1/2" = 1'-0"  
For location, see sheet #2, 5/16

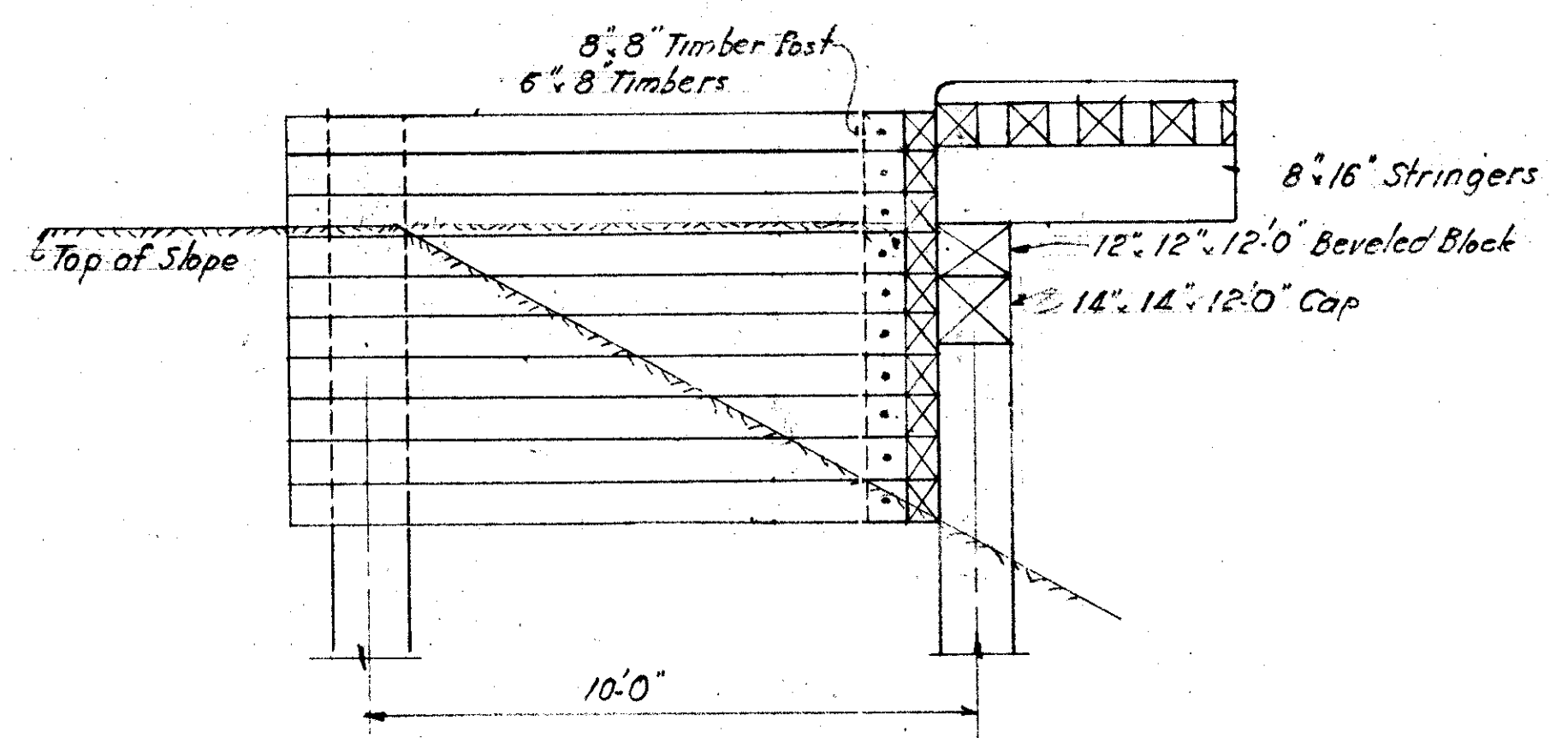


TYPICAL PLAN AT SKEWED BENTS  
Scale 1/4" = 1'-0"

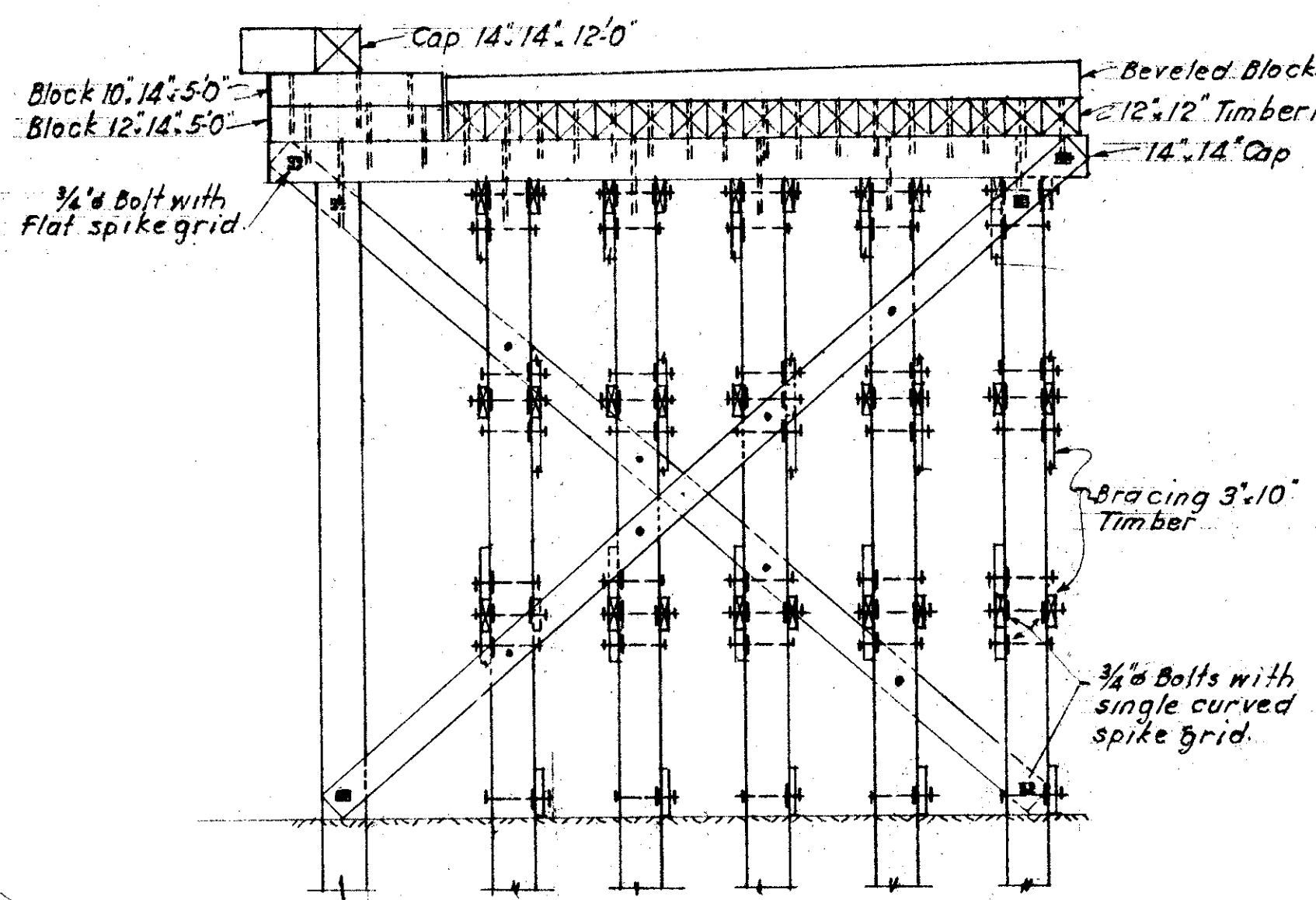


SECTION I-I  
Scale 1/4" = 1'-0"

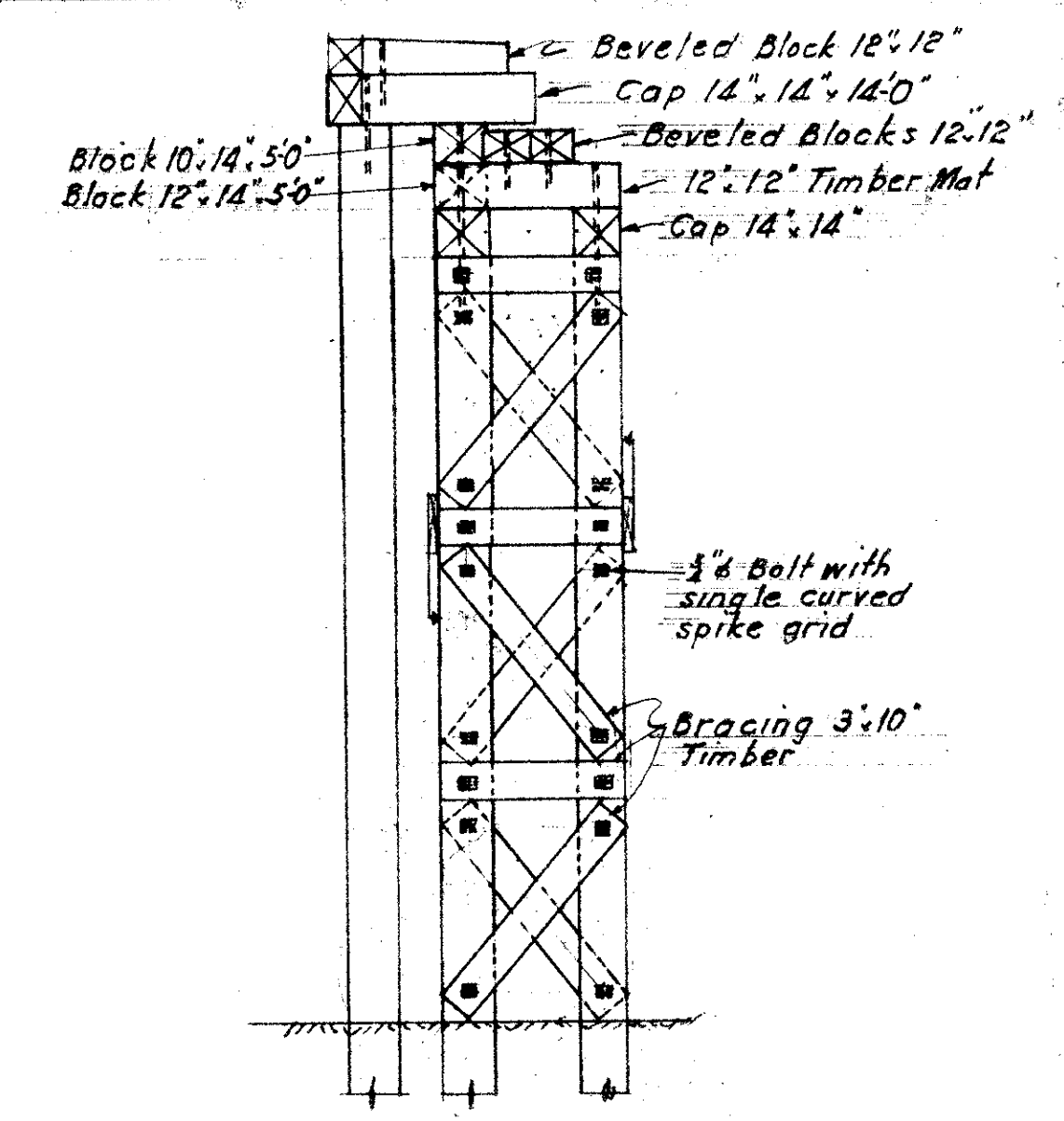
NOTE  
Details shown on sheet #2 apply where applicable, except as otherwise noted.



SECTION E-E  
Scale 3/4" = 1'-0"  
For location, see sheet #2, 5/16

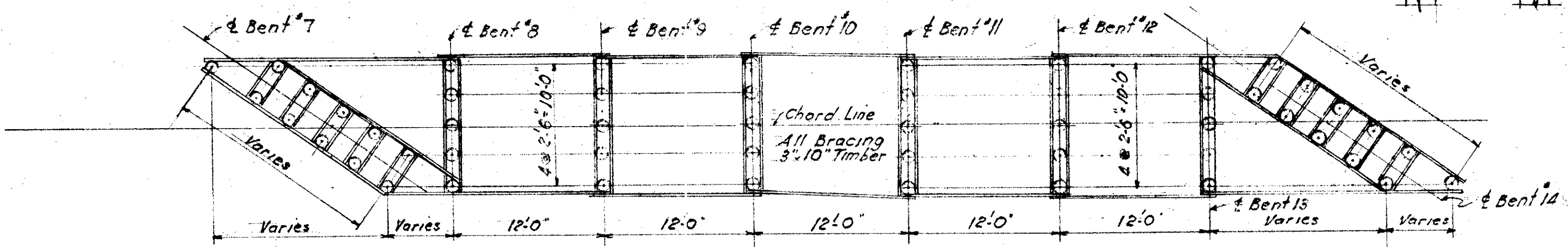


SECTION J-J  
Scale 1/4" = 1'-0"



SECTION K-K  
Scale 1/4" = 1'-0"

SCHEDULE FOR SKEWED BENTS			
LOCATION	PILE CAPS	TIMBER MAT	BEVELED BLOCK
TRACK 50-BENT 6	2-14x14x220	17-12x12x46	2-12x12x170
BENT 6	2-14x14x210	16-12x12x46	2-12x12x160
BENT 14	2-14x14x210	16-12x12x46	2-12x12x160
BENT 15	2-14x14x200	15-12x12x46	2-12x12x150
TRACK 1-BENT 6	2-14x14x220	17-12x12x46	2-12x12x170
BENT 7	2-14x14x210	16-12x12x46	2-12x12x160
BENT 14	2-14x14x210	16-12x12x46	2-12x12x160
BENT 15	2-14x14x200	15-12x12x46	2-12x12x150
TRACK 2-BENT 6	2-14x14x220	17-12x12x46	2-12x12x170
BENT 7	2-14x14x210	16-12x12x46	2-12x12x160
BENT 14	2-14x14x210	16-12x12x46	2-12x12x160
BENT 15	2-14x14x200	15-12x12x46	2-12x12x150



SECTION F-F  
SHOWING PILE BRACING  
Scale 1/2" = 1'-0"  
For location, see sheet #2, 5/16

Correct  
J. R. Beckel  
Engineer of Structures  
Approved  
S. S. Gaudy  
Chief Engineer

Date	By	Description
10-16-59	RHD	Minor revisions

Highway Bridge No. LAK-640-0282  
N.Y.C. SYSTEM OFFICE OF CHIEF ENGINEER NEW YORK, N.Y.  
BR. #56 1/4 ERIE  
GRADE SEPARATION  
VINE STREET  
WILLOUGHBY, OHIO  
TEMPORARY TRESTLES- DETAILS  
Western District Lake Division Sheet 6 of 7  
Scale: As shown Sept. 3, 1959 Val. Sec. 203 File No. 93207