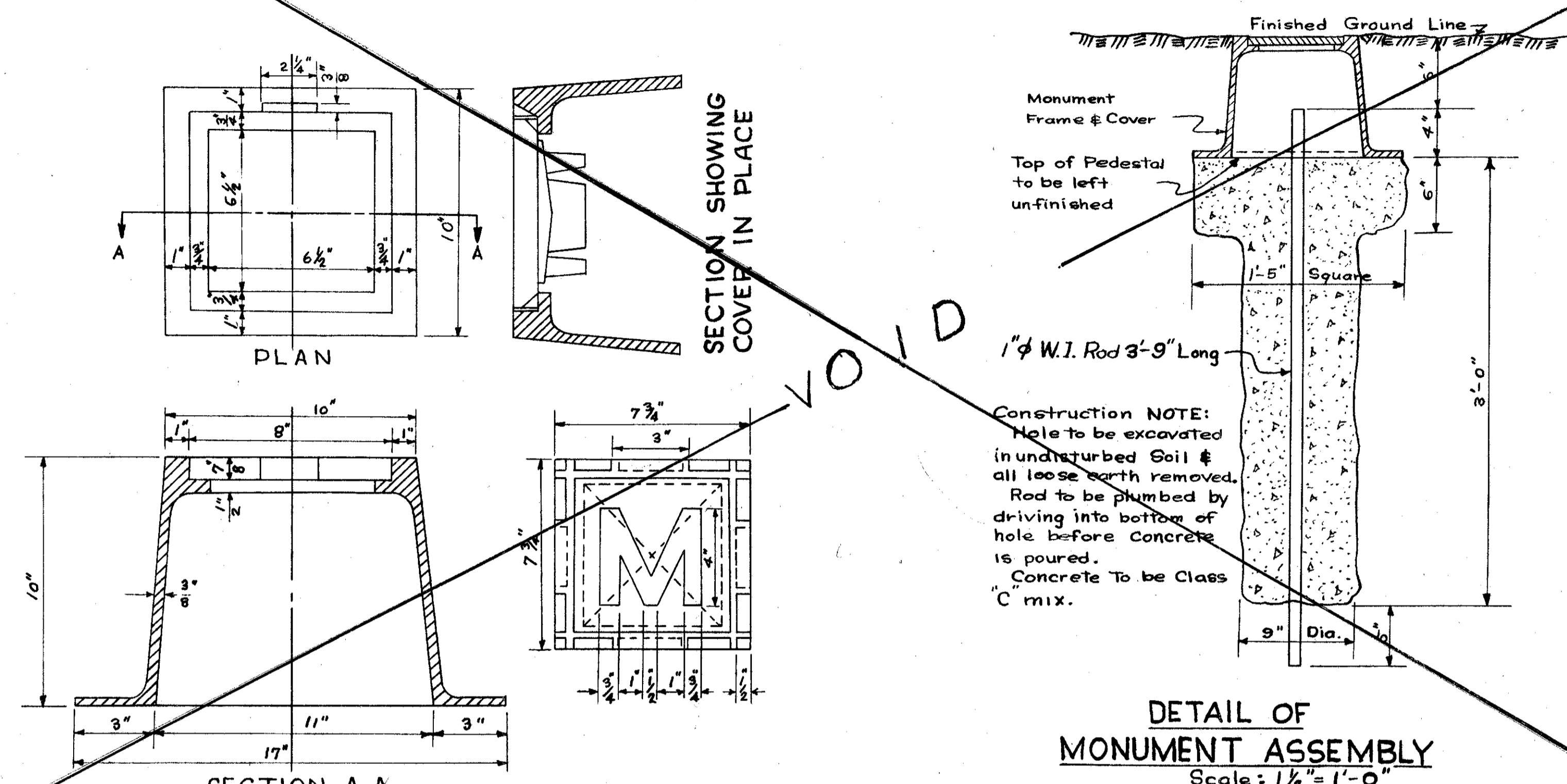


FED. RD. DIVISION	STATE	PROJECT	FISCAL YEAR
2	OHIO		46 100

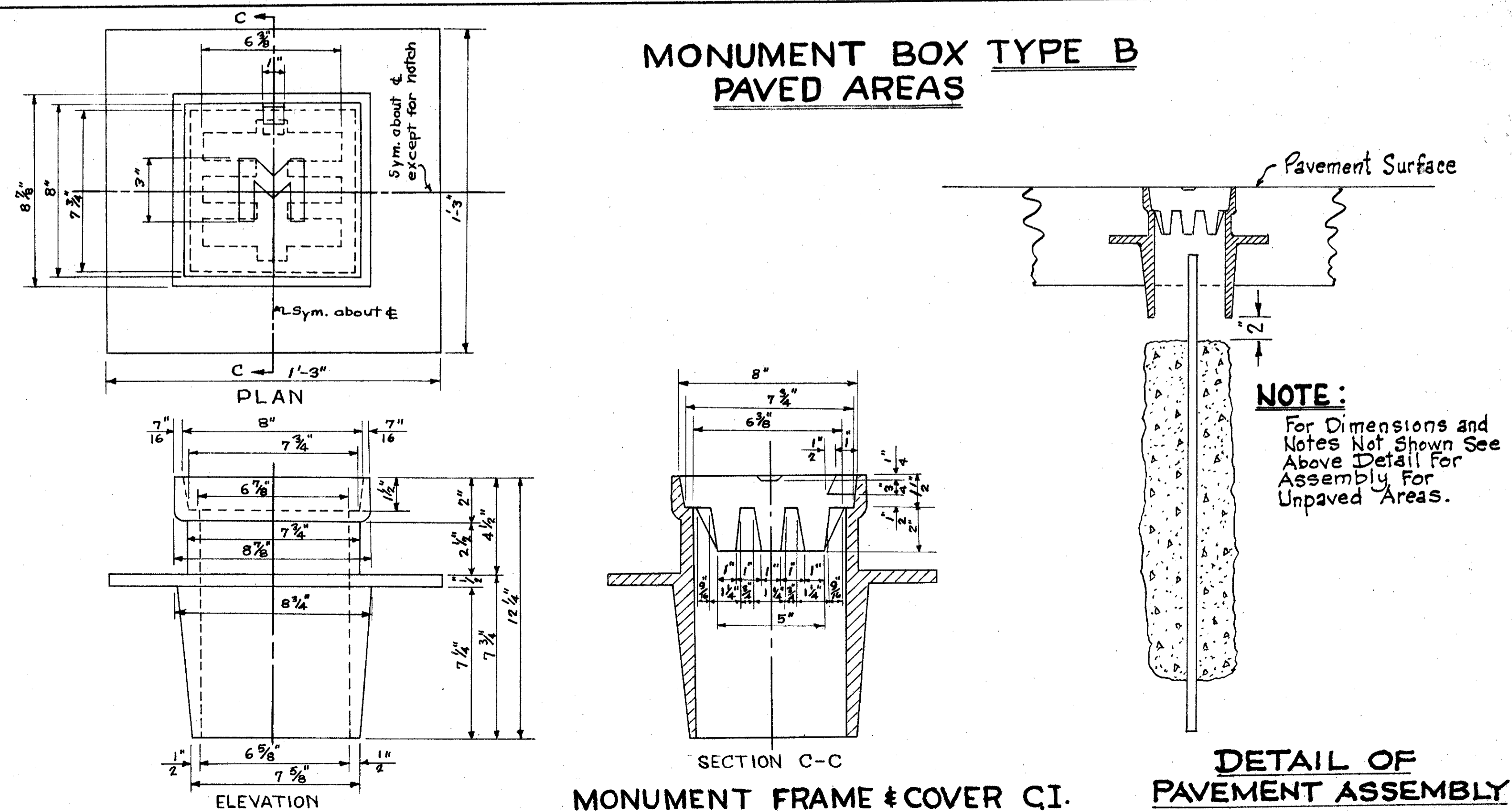
LAKE COUNTY
SEC. LAK. 640-2.56

MONUMENT BOX TYPE A UNPAVED AREAS



MONUMENT FRAME & COVER C.I.
Scale 3" = 1'-0"

MONUMENT BOX TYPE B PAVED AREAS



MONUMENT FRAME & COVER C.I.
Scale 3" = 1'-0"