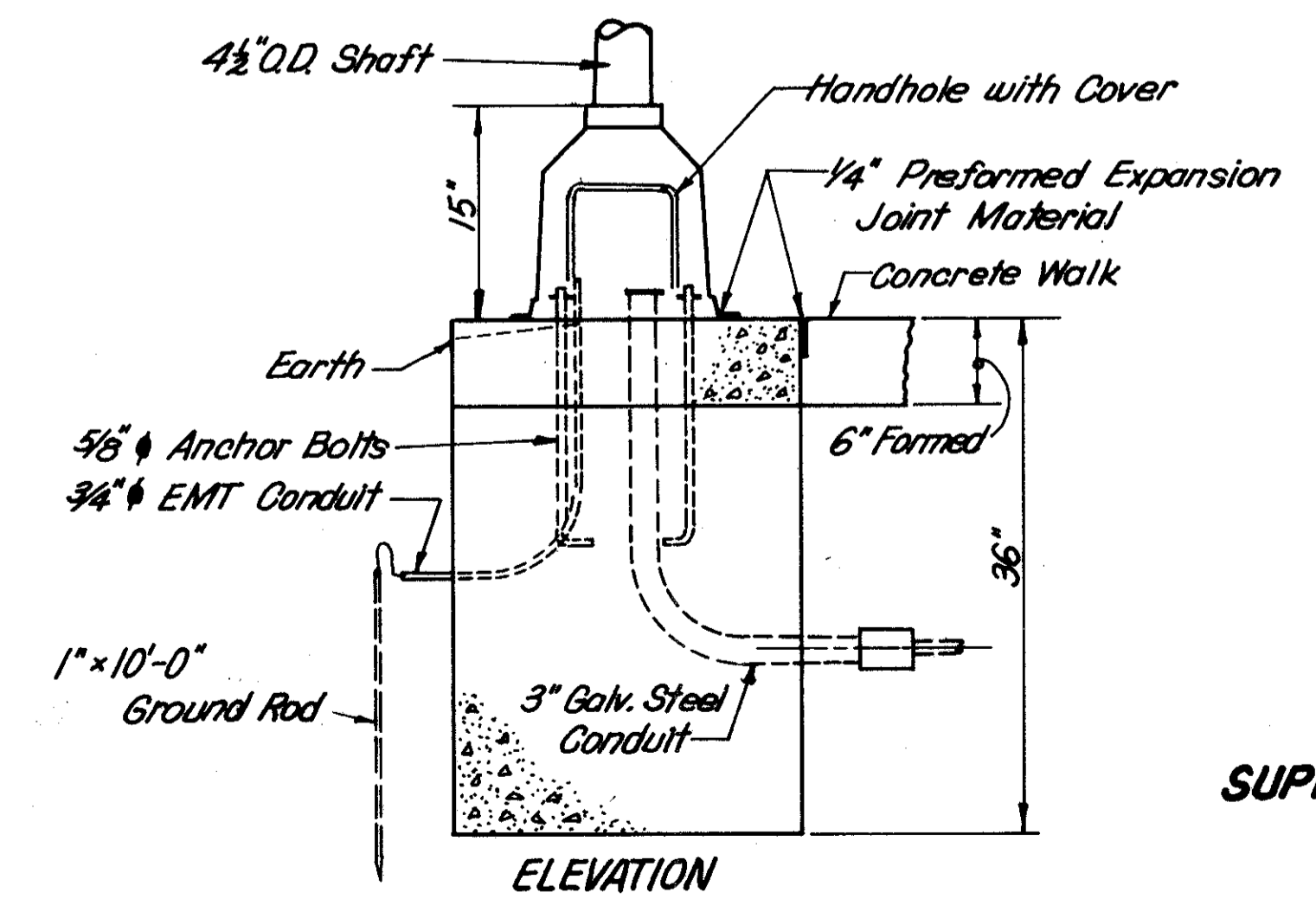
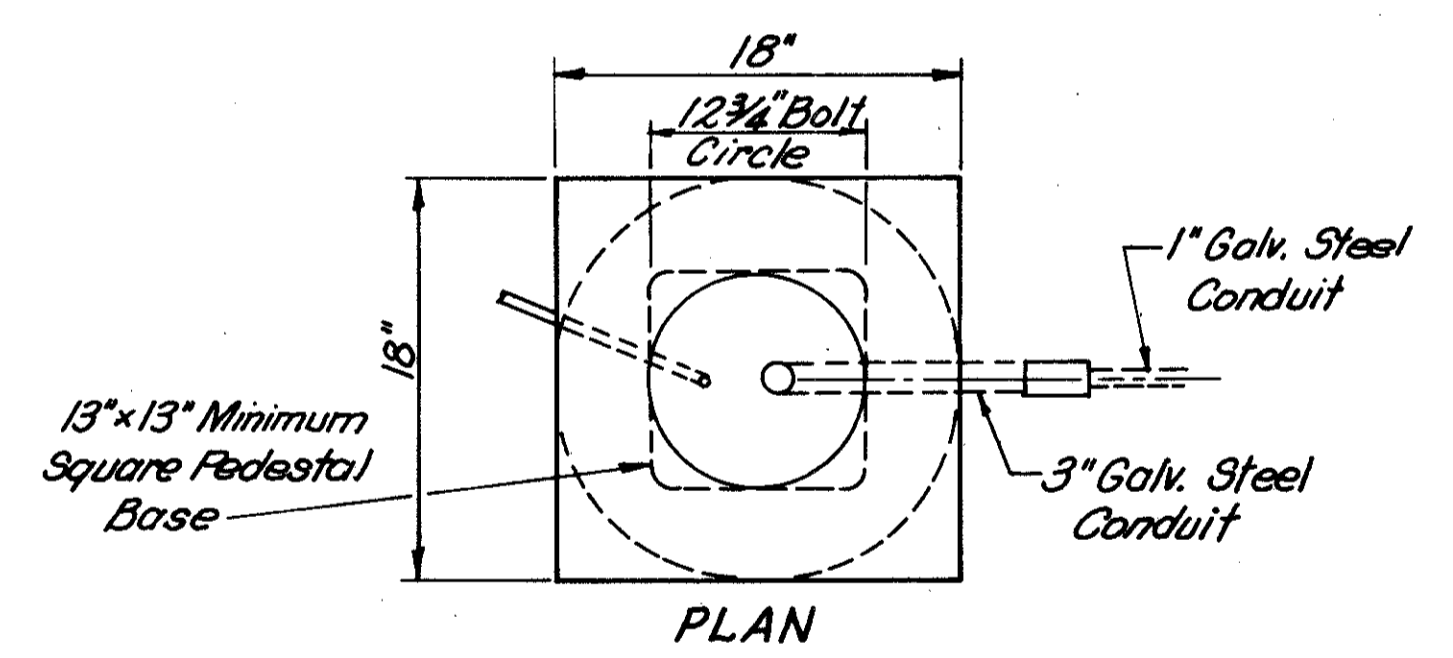
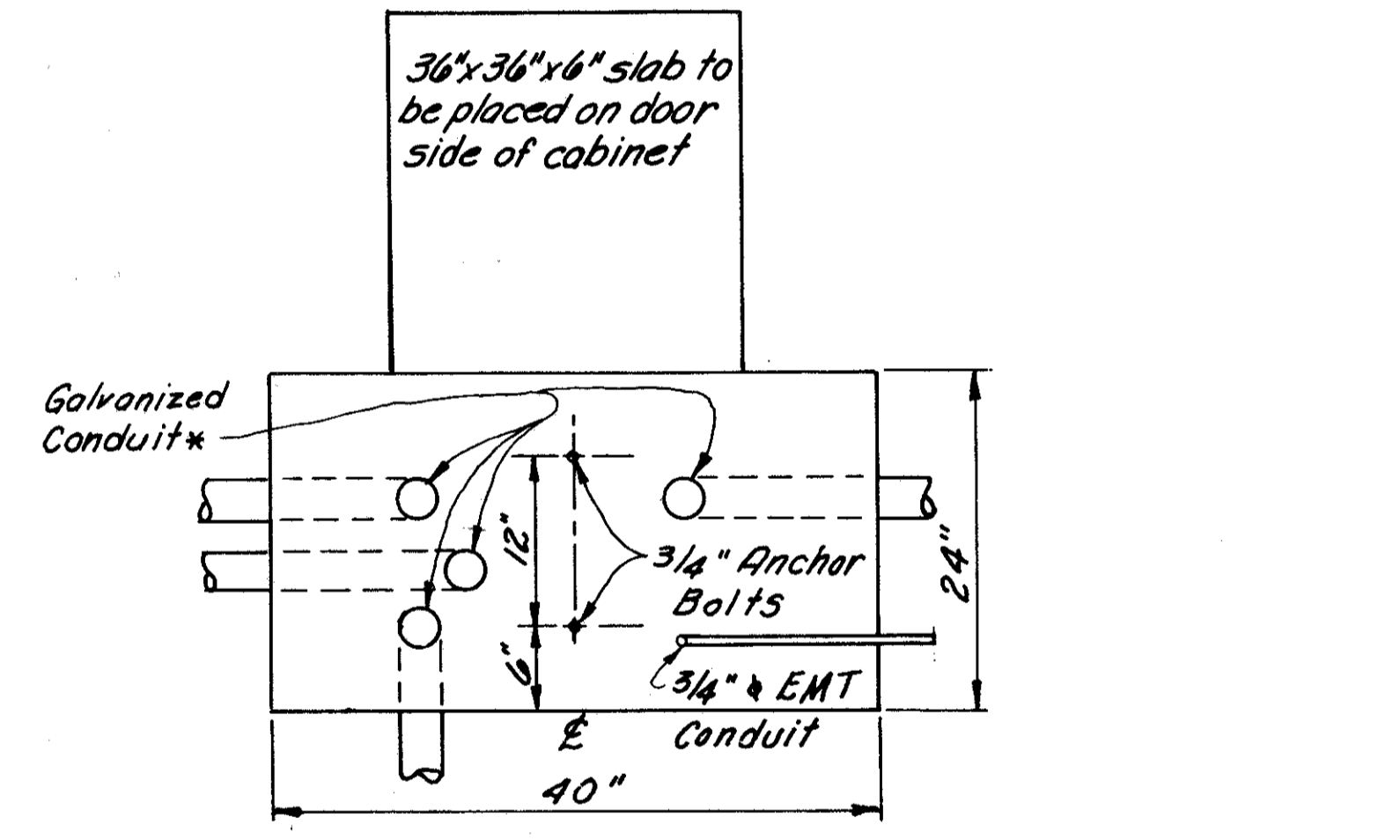
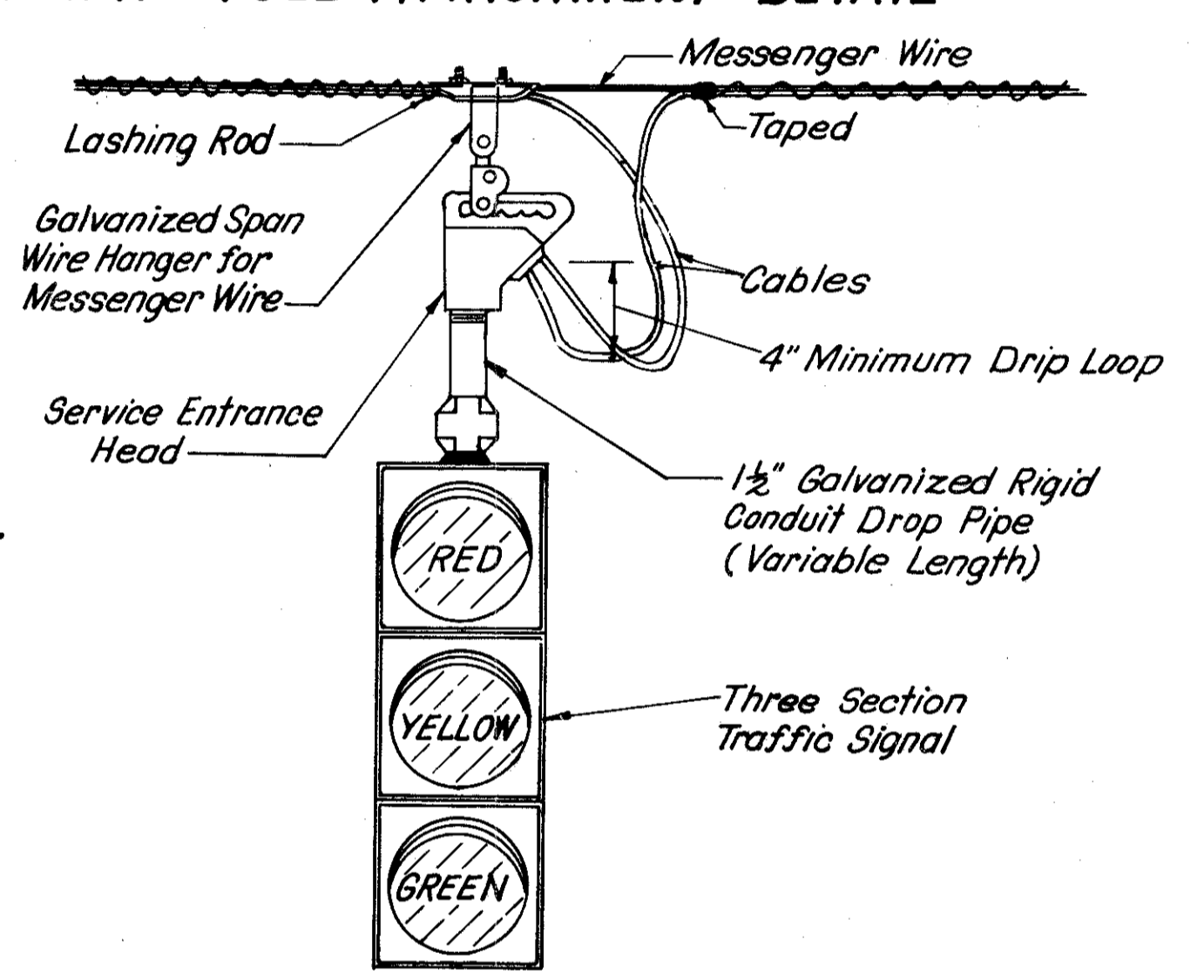
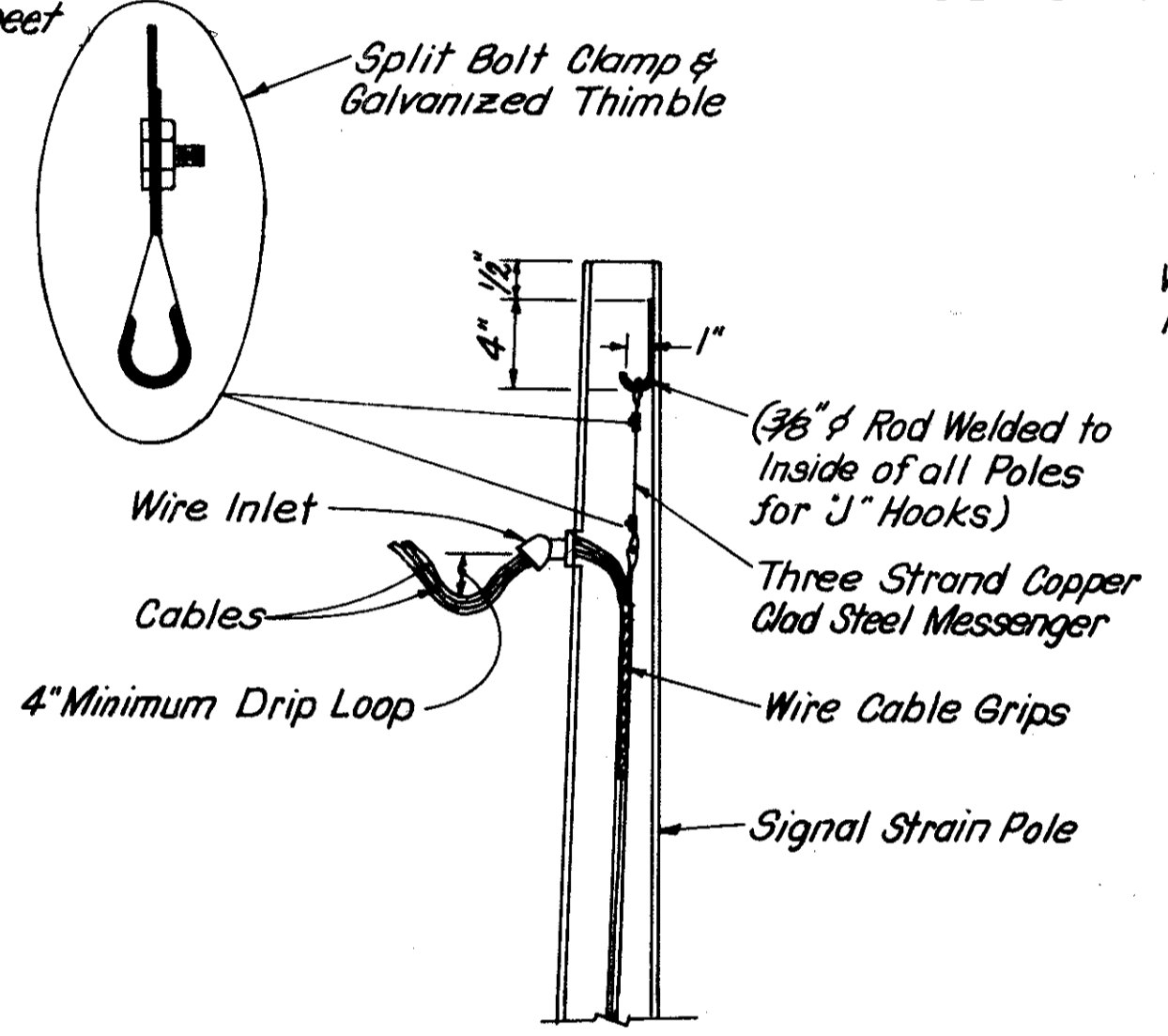
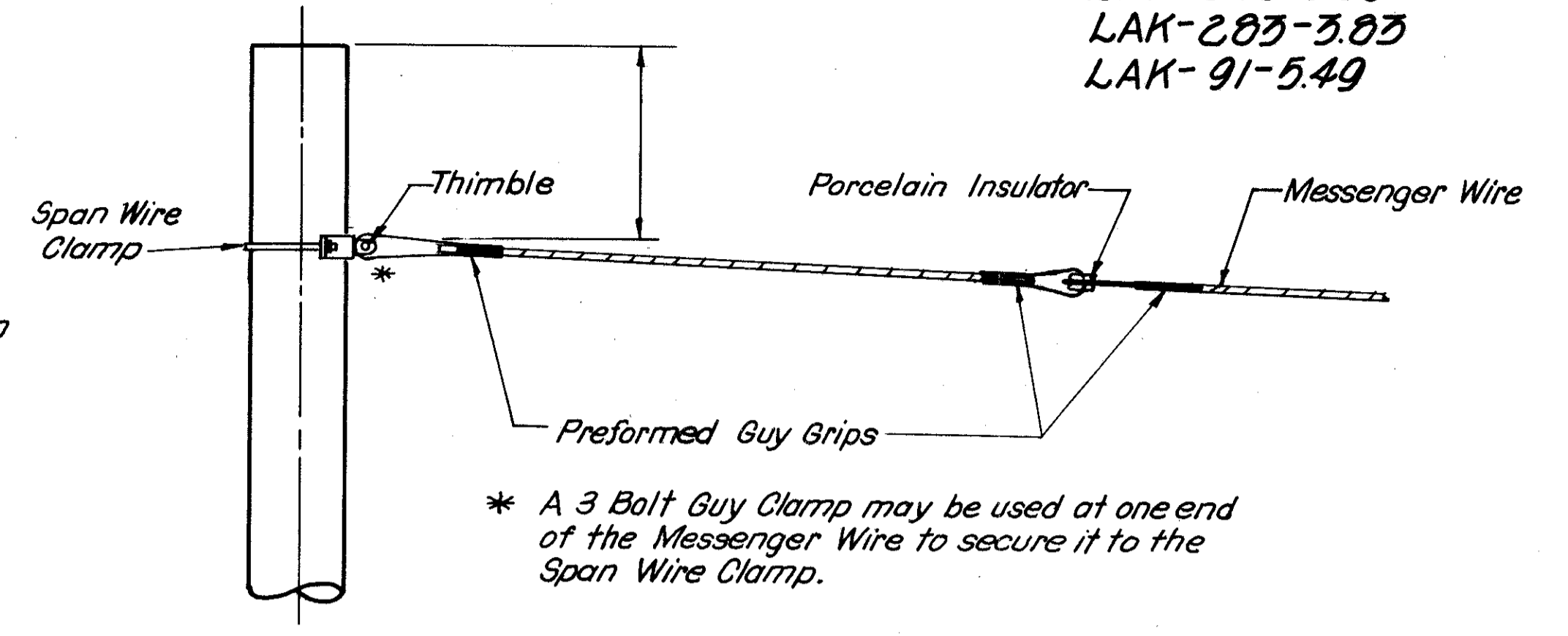
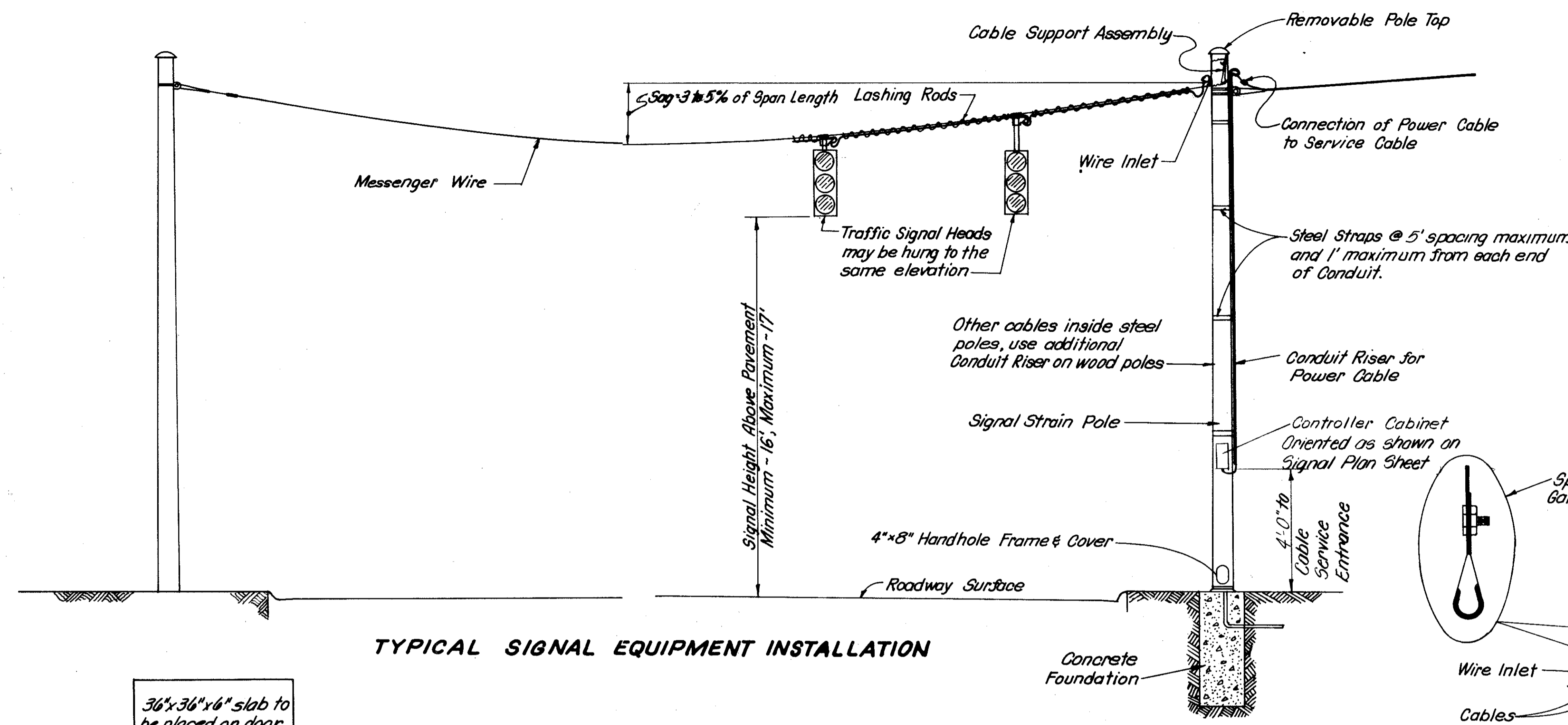
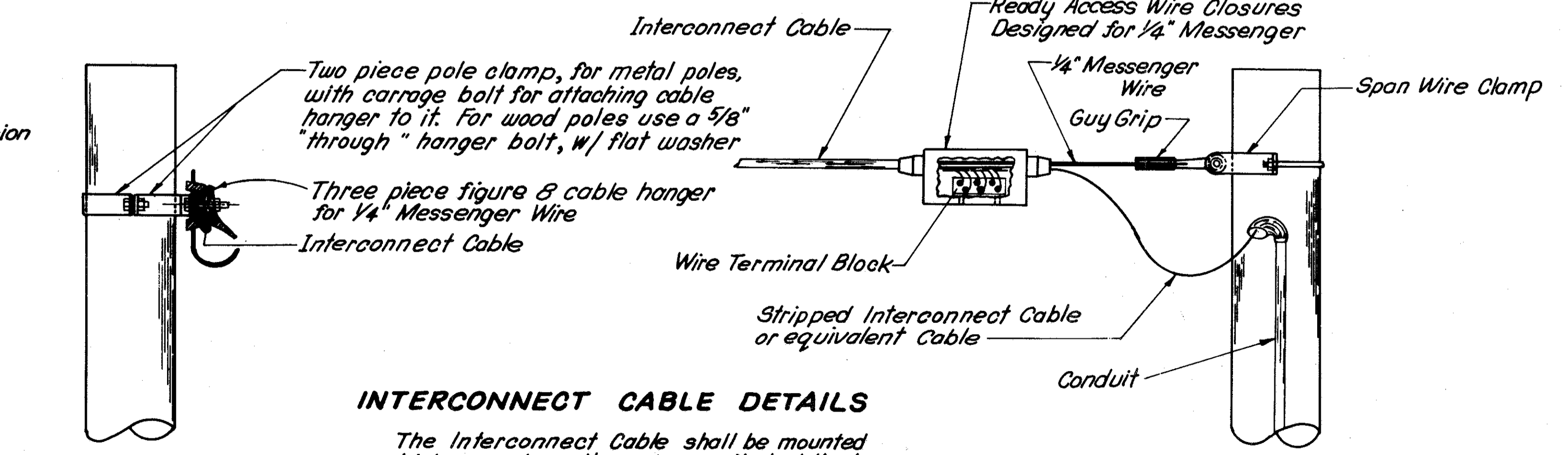


LAK-040-0.98
LAK-203-3.83
LAK-91-5.49



PEDESTRIAN SIGNAL SUPPORT FOUNDATION



SUPPORT POLE

END POLE

The Interconnect Cable shall be mounted high enough on the poles so that at the low point of the sag, between two poles, the cable shall be at least 20 feet above ground level.

TRAFFIC SIGNAL DETAILS

* Locate Conduit to suit conditions
All conduit shall be 3" diameter
except for 3/4" ground wire conduit.