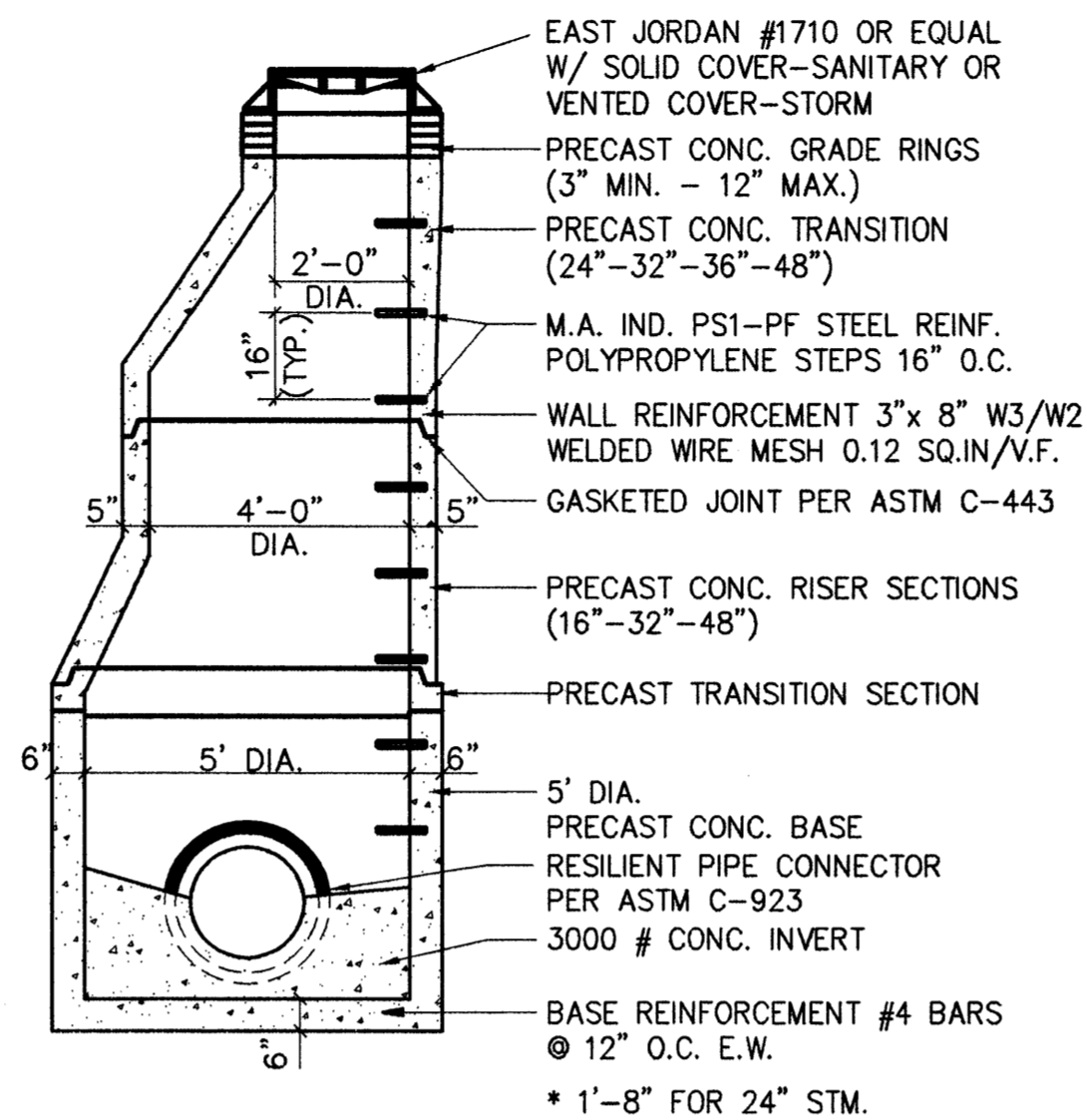
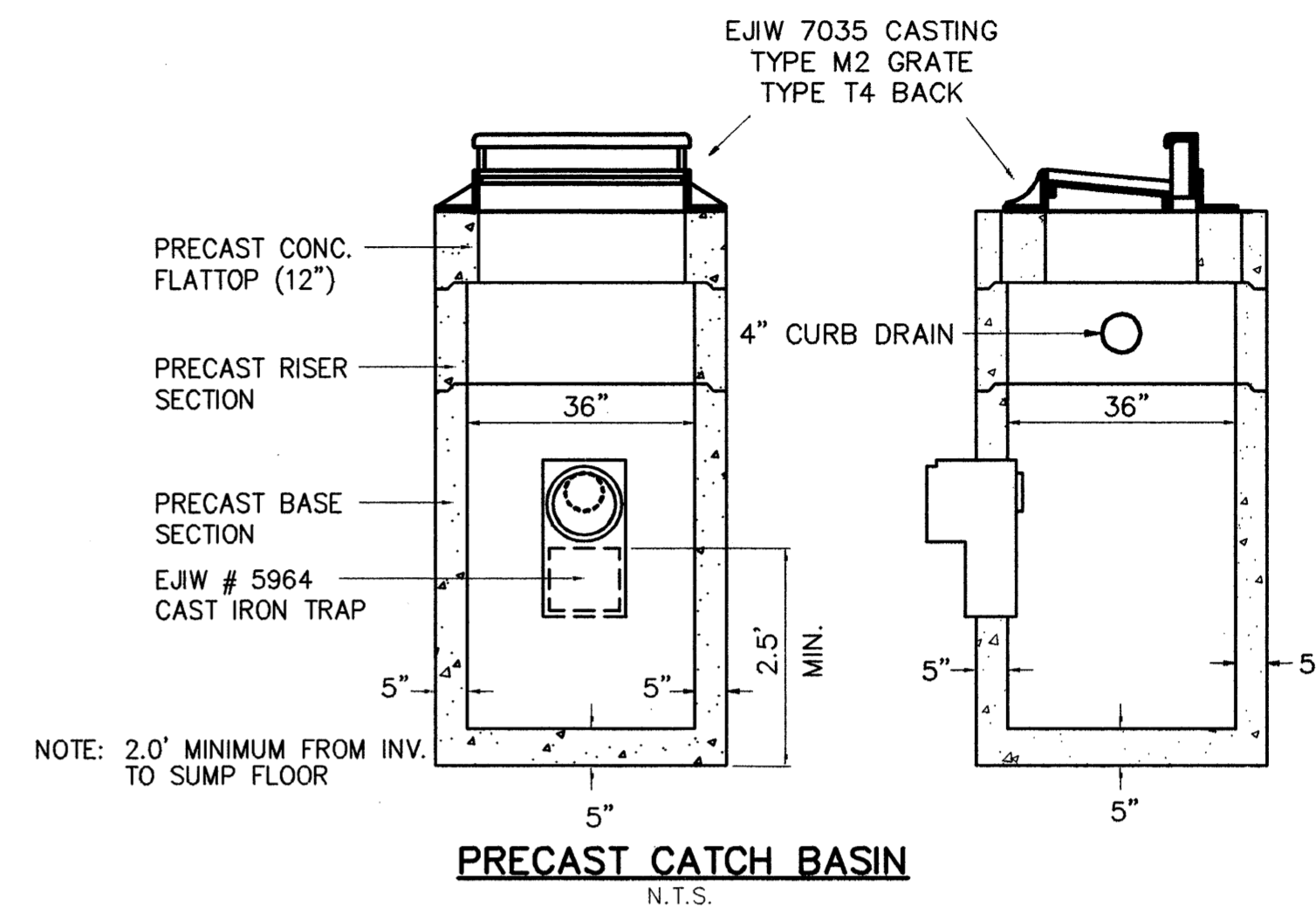


TYPE "A"
PRECAST 48" DIA. MANHOLE
N.T.S.

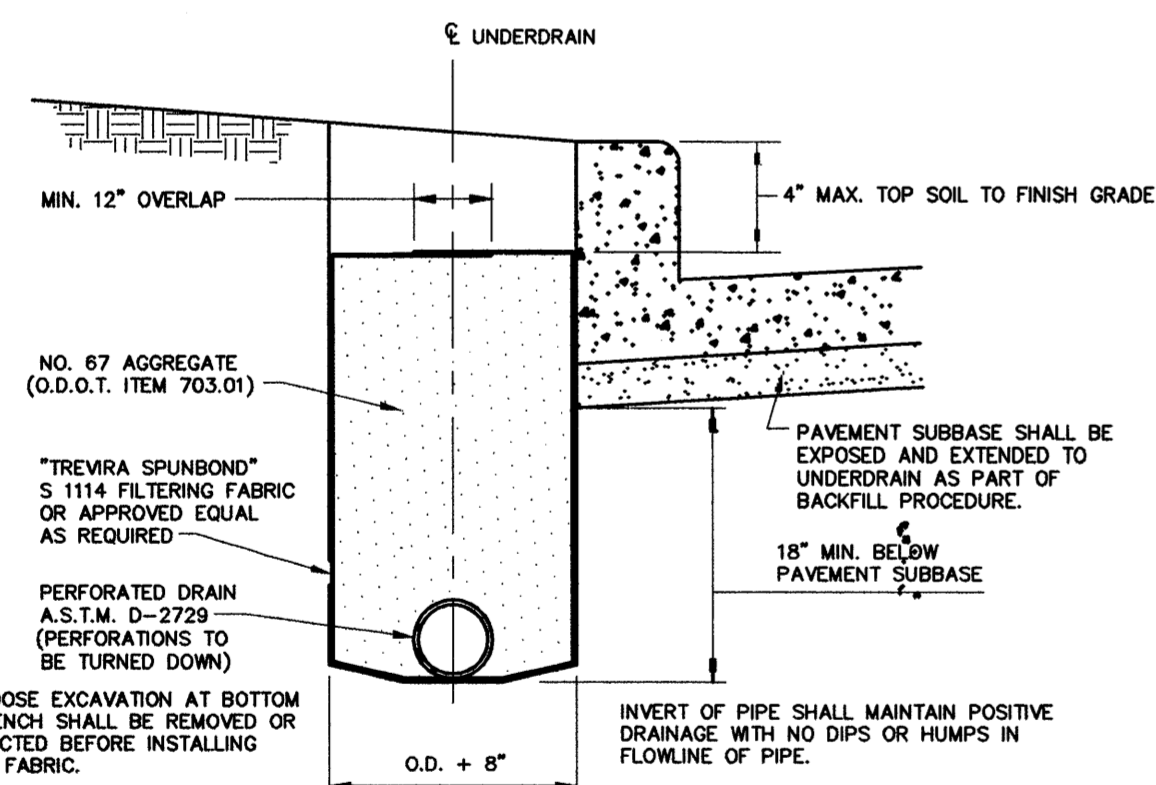


TYPE "B"
PRECAST STORM MANHOLE
60" DIA.
(27" TO 42" I.D.)
N.T.S.

NOTE-"THOROSEAL" BY THORO SYSTEM PRODUCTS OR AN APPROVED EQUIVALENT SHALL BE APPLIED INSIDE OF SANITARY MANHOLES ONLY, FULL DEPTH (ANY COLOR BUT GRAY)

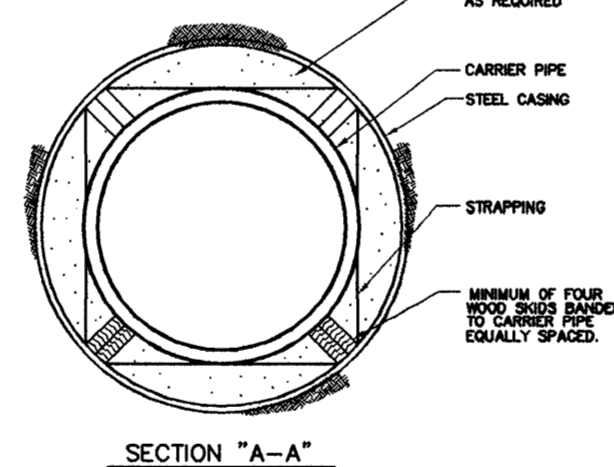


PRECAST CATCH BASIN
N.T.S.

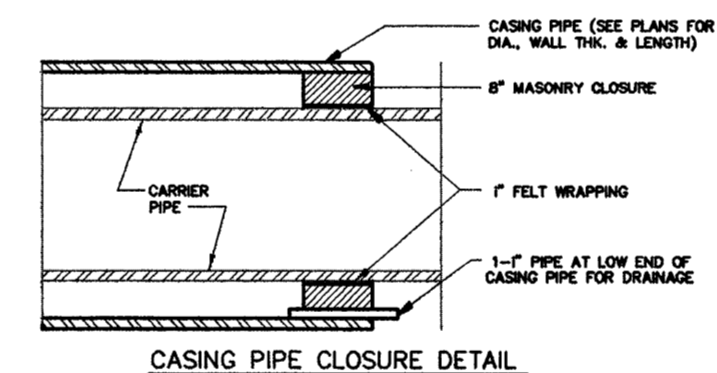


UNDERDRAIN DETAIL

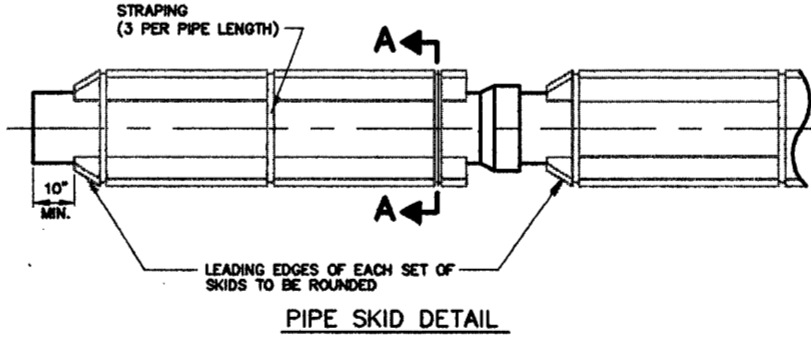
CARRIER PIPE	STEEL CASING PIPE
DIA.	DIA.
24"	42"
	3/8"
	MATERIAL TYPE OF GRADE FILL
	AS PER SW
	GRADE A SAND



LAKE COUNTY BORING DETAIL

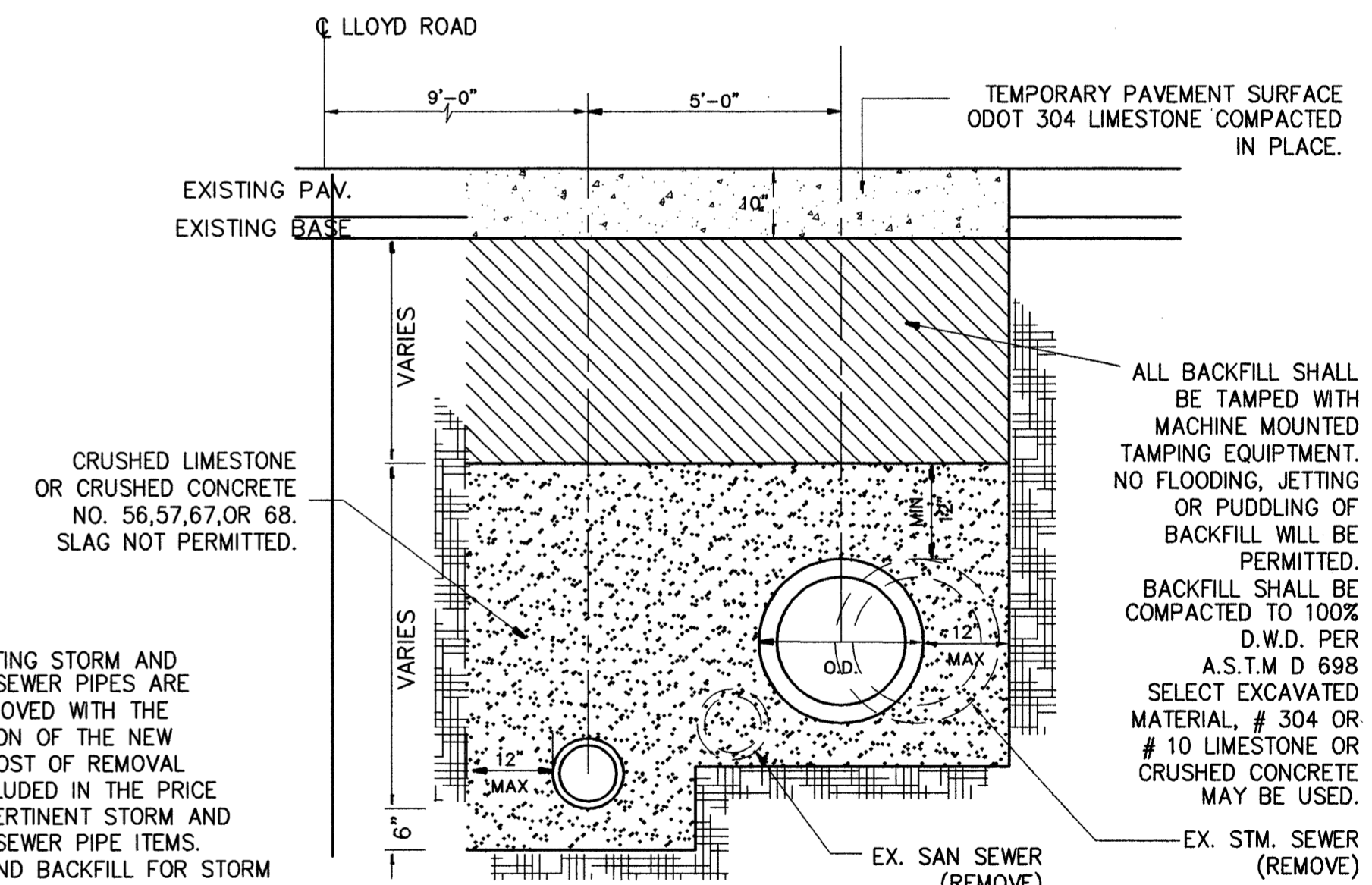


CASING PIPE CLOSURE DETAIL



BORING DETAIL

NOTE: BOTH EXISTING STORM AND SANITARY SEWER PIPES ARE TO BE REMOVED WITH THE INSTALLATION OF THE NEW SEWERS, COST OF REMOVAL TO BE INCLUDED IN THE PRICE BID FOR PERTINENT STORM AND SANITARY SEWER PIPE ITEMS. BEDDING AND BACKFILL FOR STORM AND SANITARY PIPES SHALL ALSO BE INCLUDED IN THE UNIT PRICE BID.



DUAL TRENCH DETAIL

NOT TO SCALE

REV. NO.	DESCRIPTION	DATE	BY	CHK'D.