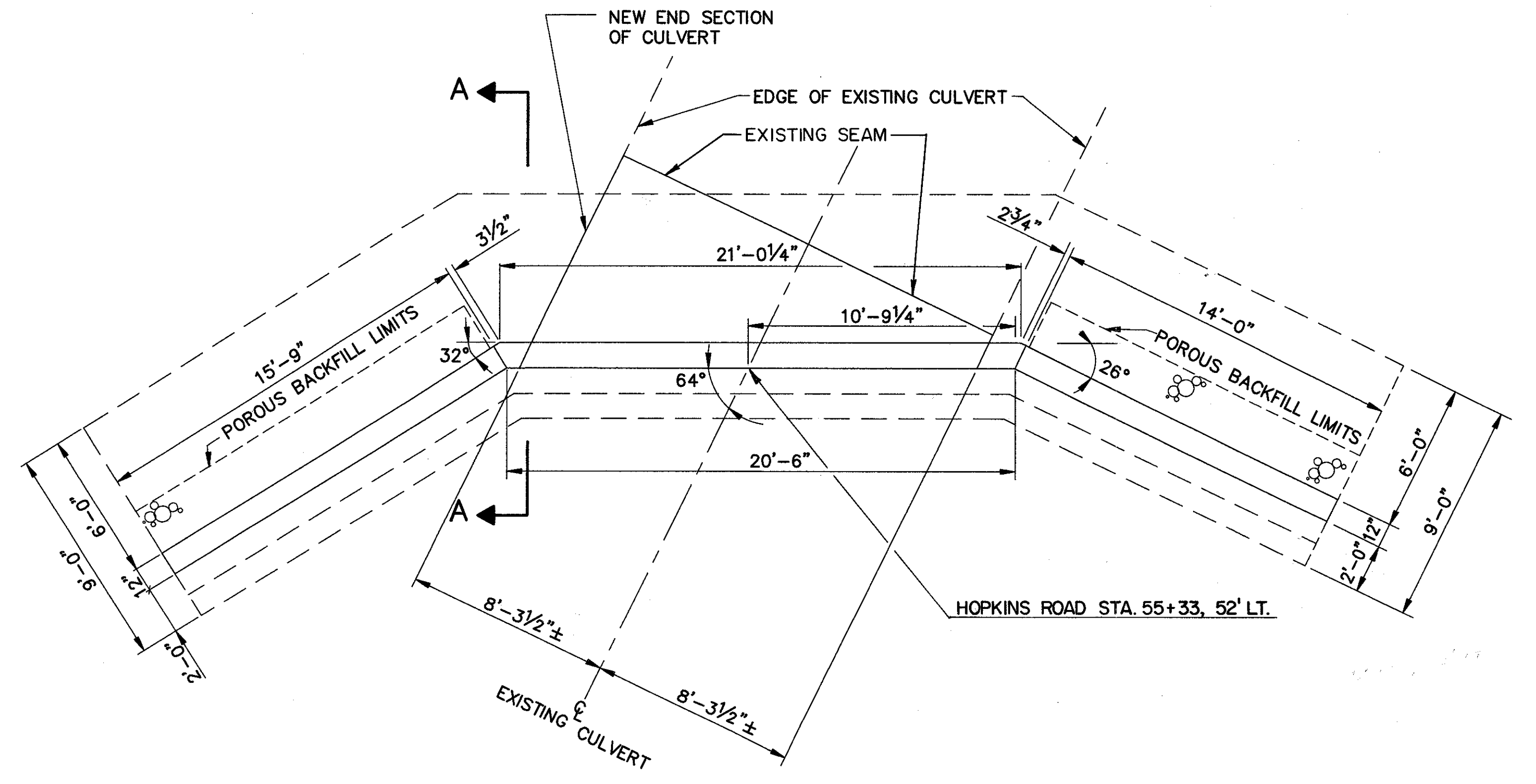
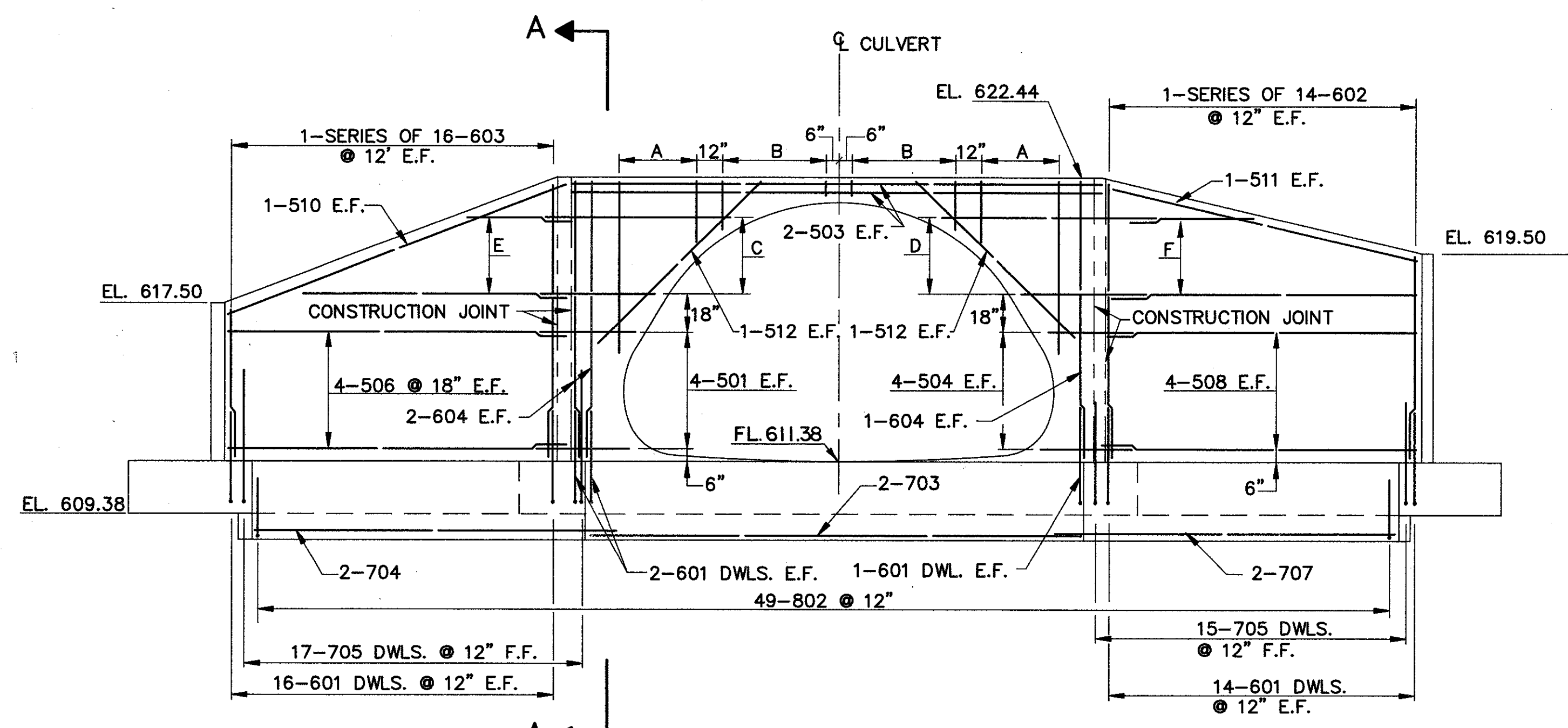


FOOTING PLAN

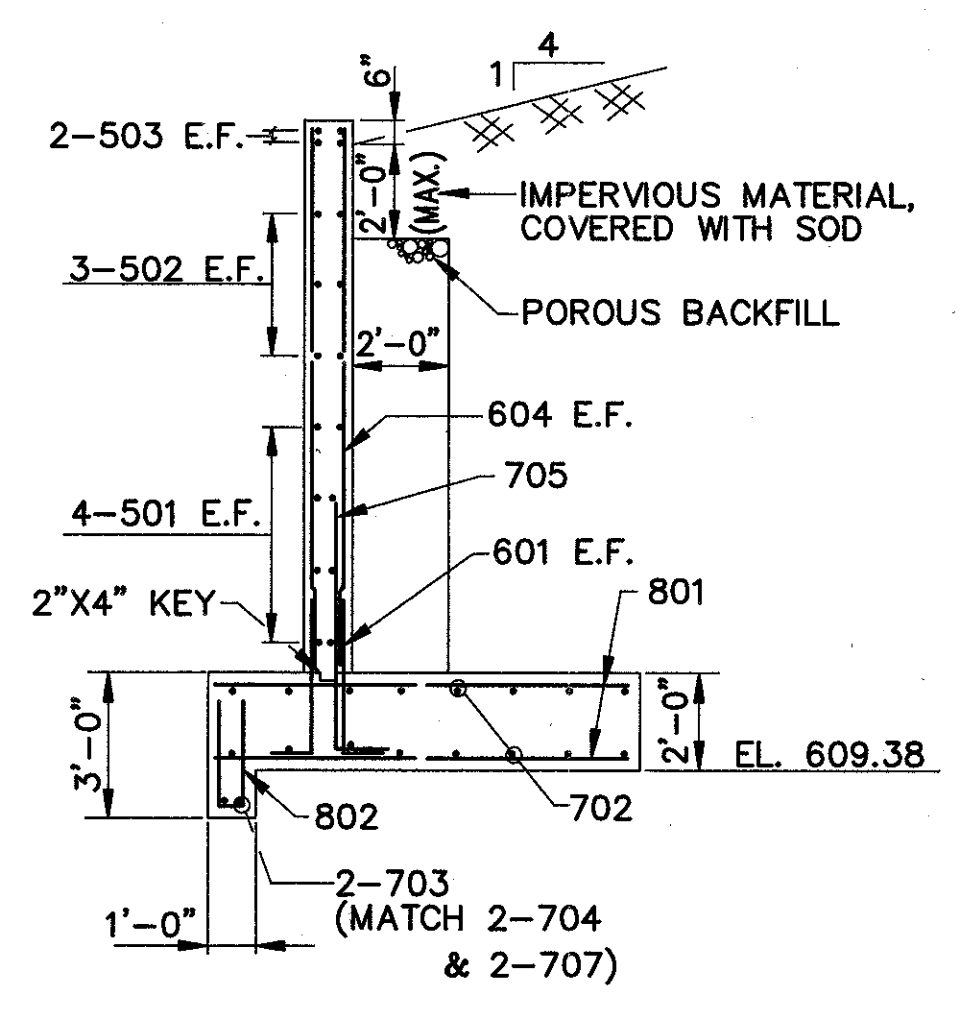
- A. 1-SERIES OF 4-605 @ 12" E.F.
- B. 1-SERIES OF 5-606 @ 12" E.F.
- C. 1-SERIES OF 3-502 E.F. @ 18" E.F.
- D. 1-SERIES OF 3-505 E.F.
- E. 1-SERIES OF 3-507 E.F.
- F. 1-SERIES OF 3-509 E.F.



PLAN



ELEVATION



SECTION A-A

NOTES: ALL DIMENSION ARE OUT TO OUT OF BARS.

REINFORCING STEEL SAMPLES: REFER TO CMS SECTIONS 106.03, 700, 709.01 THROUGH 709.05 AND 709.08. SUFFICIENT ADDITIONAL REINFORCING STEEL SHALL BE PROVIDED FOR SAMPLING. RANDOM SAMPLES SHALL BE REPLACED IN THE STRUCTURES BY THE ADDITIONAL STEEL, SPLICED IN ACCORDANCE WITH 509.08.