

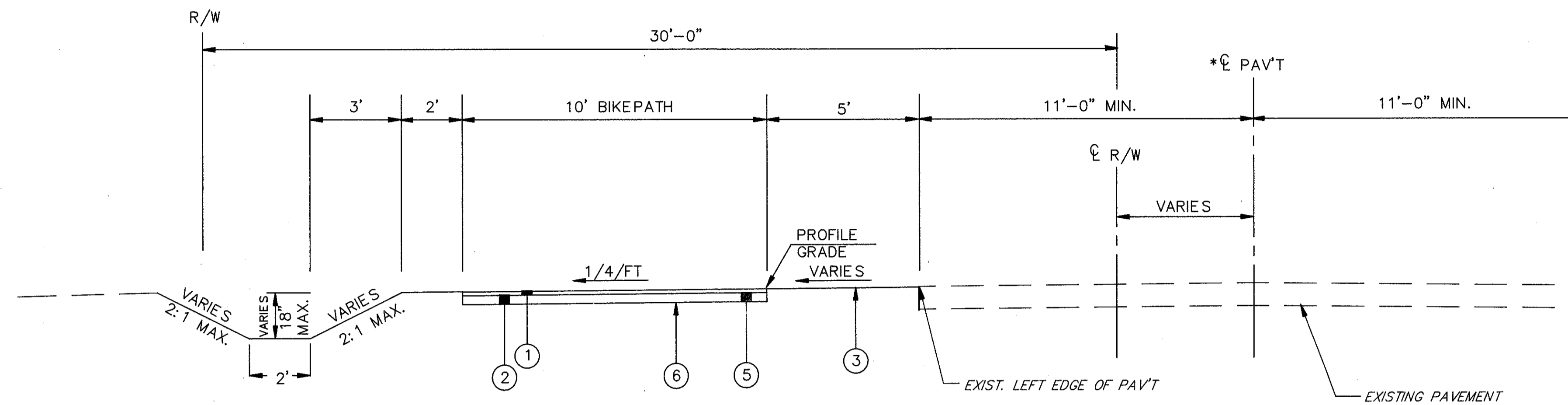
CALC.
BY
DATE
CHKD.
BY
DATE

LAK-615-5.12

OHIO
FHWA
REGION

10
164

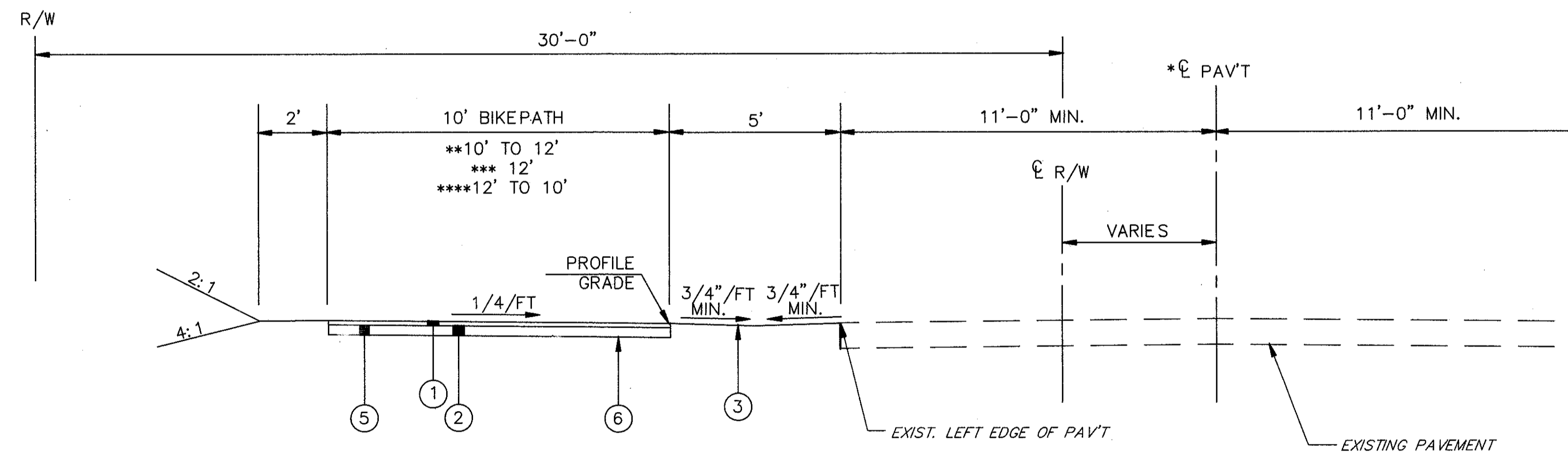
TYPICAL SECTIONS



* VARIES 4.5' RT. TO 5.5' LT. OF ϕ R/W

TYPICAL SECTION
HOPKINS ROAD (ROSEWOOD DR. TO HENDRICKS RD.)
STA. 81+21 TO STA. 88+00 = 679.00 LIN. FT.
STA. 97+50 TO STA. 99+90 = 240.00 LIN. FT.
919.00 LIN. FT.

- LEGEND**
- ① ITEM 404 1-1/2' ASPHALT CONCRETE AC-20
 - ② ITEM 301 3" BITUMINOUS AGGREGATE BASE, AC-20
 - ③ ITEM 659 SEEDING & MULCHING
 - ④ ITEM 203 EMBANKMENT
 - ⑤ ITEM 203 EXCAVATION
 - ⑥ ITEM 203 SUBGRADE COMPACTION



* VARIES 4.5' RT. TO 5.5' LT. OF ϕ R/W

TYPICAL SECTION
HOPKINS ROAD (ROSEWOOD DR. TO HENDRICKS RD.)
STA. 88+00 TO STA. 89+00 = 100.00 LIN. FT.
**STA. 89+00 TO STA. 90+00 = 100.00 LIN. FT.
***STA. 90+00 TO STA. 93+50 = 350.00 LIN. FT.
****STA. 93+50 TO STA. 94+50 = 100.00 LIN. FT.
STA. 94+50 TO STA. 97+50 = 300.00 LIN. FT.
950.00 LIN. FT.

LAK-615-5.12