

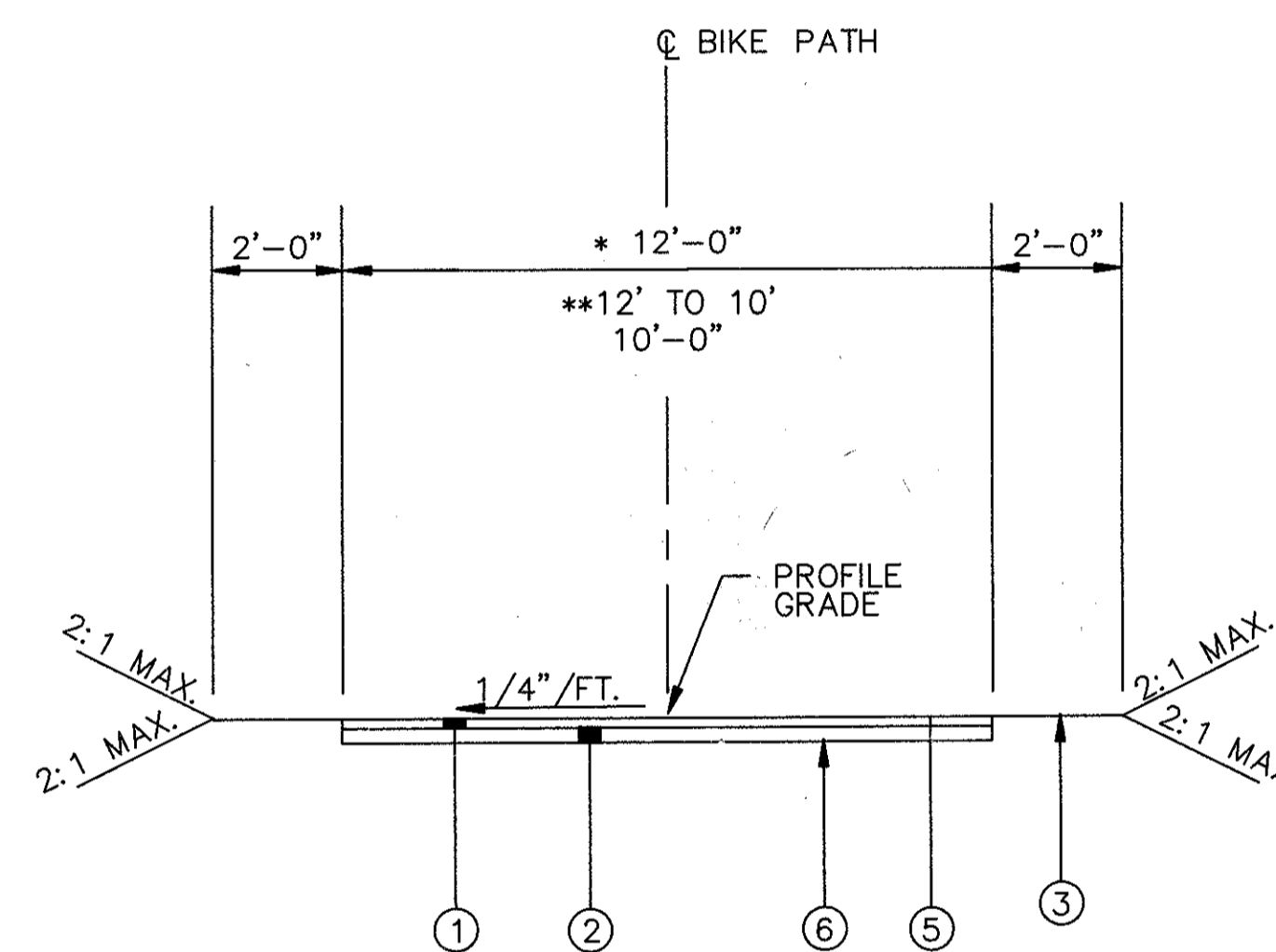
CALC.  
BY  
DATE  
CHKD  
BY  
DATE

LAK - 615 - 5.12

OHIO  
FHWA  
REGION

9  
164

# TYPICAL SECTIONS



## LEGEND

- ① ITEM 404 1-1/2" ASPHALT CONCRETE AC-20
- ② ITEM 301 3" BITUMINOUS AGGREGATE BASE, AC-20
- ③ ITEM 659 SEEDING & MULCHING
- ④ ITEM 203 EMBANKMENT
- ⑤ ITEM 203 EXCAVATION
- ⑥ ITEM 203 SUBGRADE COMPACTION

TYPICAL SECTION  
 TRAIL ROUTE (EXISTING BIKEPATH TO ROSEWOOD DR.)  
 \*STA. 0+02 TO STA. 3+00 = 298.00 LIN. FT.  
 \*\*STA. 3+00 TO STA. 3+20 = 20.00 LIN. FT.  
 STA. 3+20 TO STA. 6+75 = 355.00 LIN. FT.  
 673.00 LIN. FT.