

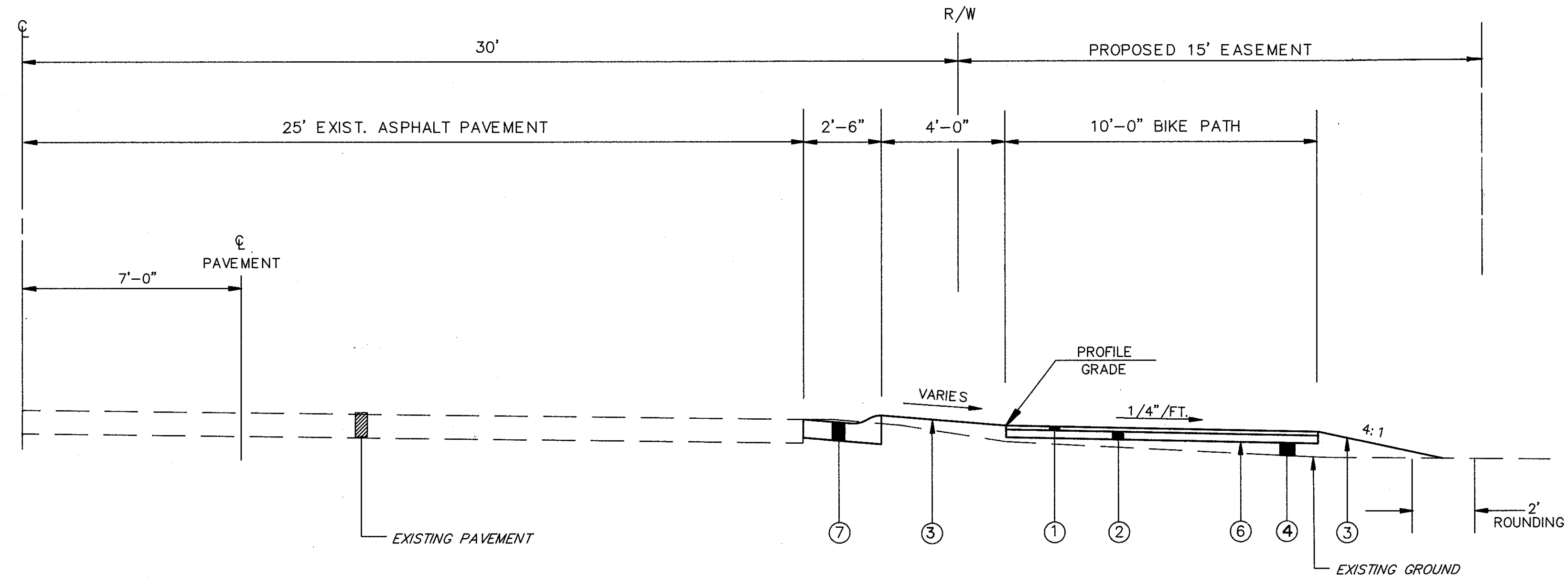
CALC.
BY _____
DATE _____
CHKD
BY _____
DATE _____

LAK - 615 - 5.12

OHIO
FHWA REGION 5

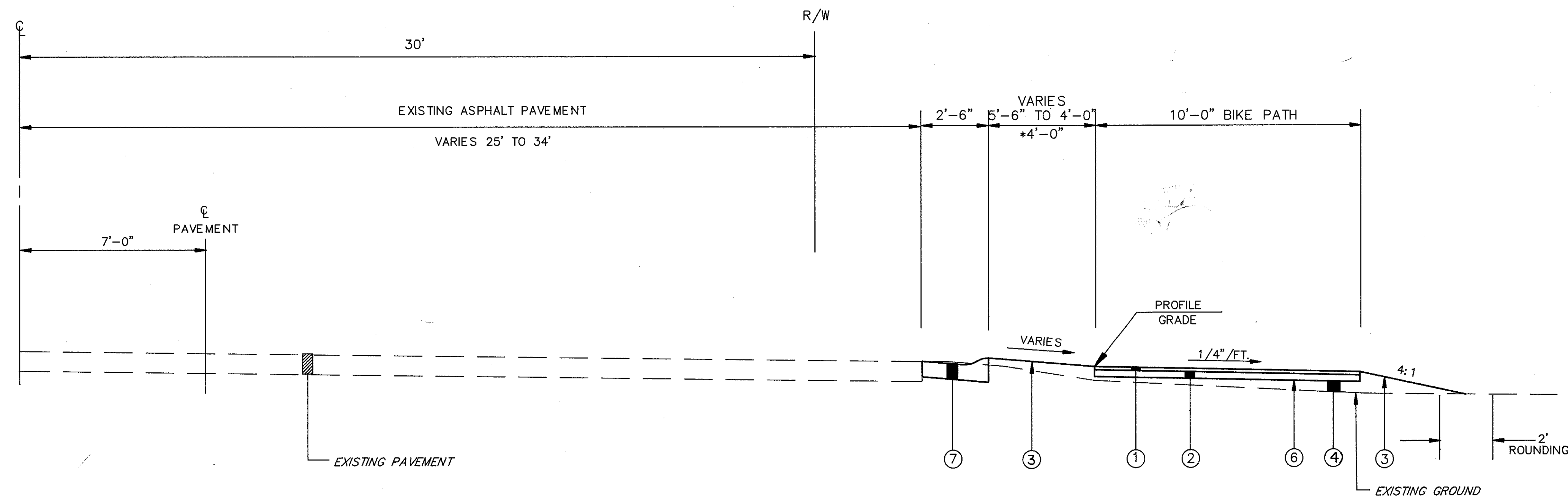
5
164

TYPICAL SECTIONS



TYPICAL SECTION
CENTER STREET (FAIRFAX DR. TO STA. 24+75)
STA. 10+63 TO STA. 24+75 = 1412.0 LIN. FT.

- LEGEND**
- ① ITEM 404 1-1/2" ASPHALT CONCRETE AC-20
 - ② ITEM 301 3" BITUMINOUS AGGREGATE BASE, AC-20
 - ③ ITEM 659 SEEDING & MULCHING
 - ④ ITEM 203 EMBANKMENT
 - ⑤ ITEM 203 EXCAVATION
 - ⑥ ITEM 203 SUBGRADE COMPACTION
 - ⑦ ITEM 609 COMBINATION CURB & GUTTER, TYPE 3



TYPICAL SECTION
CENTER STREET (STA. 24+75 TO CIVIC CENTER BLVD.)
STA. 24+75 TO STA. 25+75 = 100.0 LIN. FT.
* STA. 25+75 TO STA. 27+75 = 200.0 LIN. FT.
300.0 LIN. FT.

LAK-615-5.12