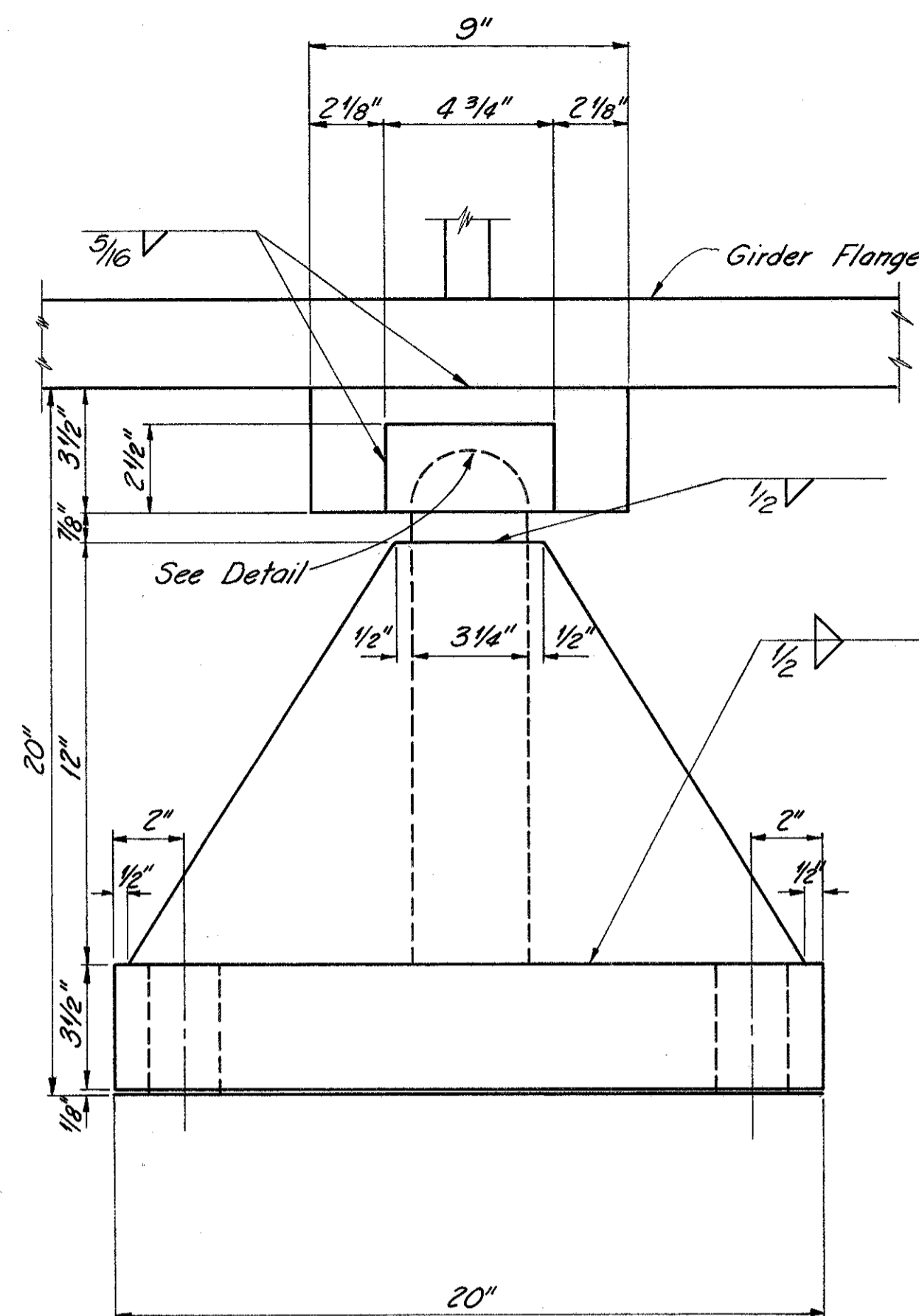


MICROFILMED
FEB 12 1985

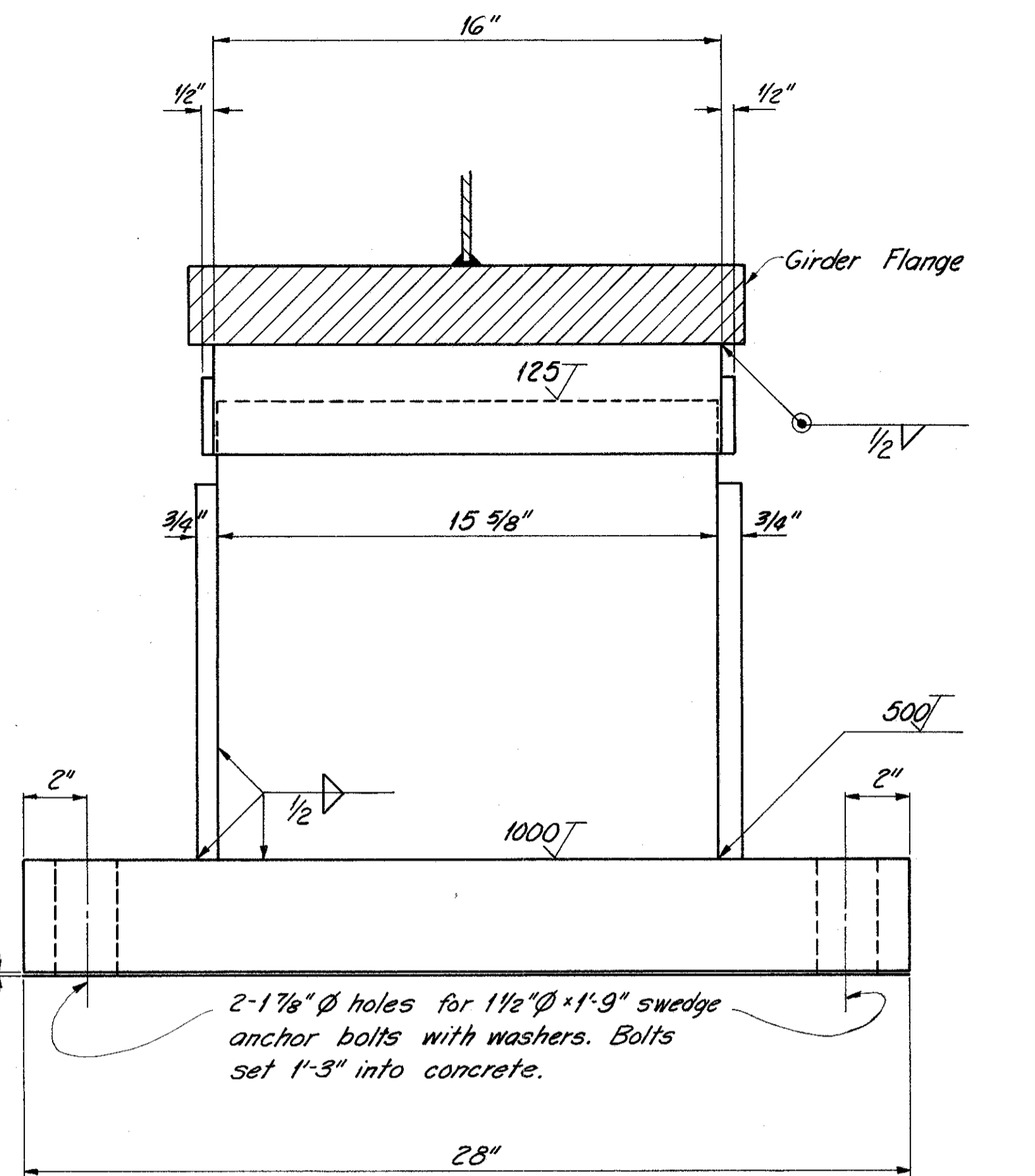
FED. ROAD DIV. NO.	STATE	FED. AID PROJ. NO.	TYPE FUNDS
2	OHIO		

147
181

LAKE COUNTY
LAK-615-3.26

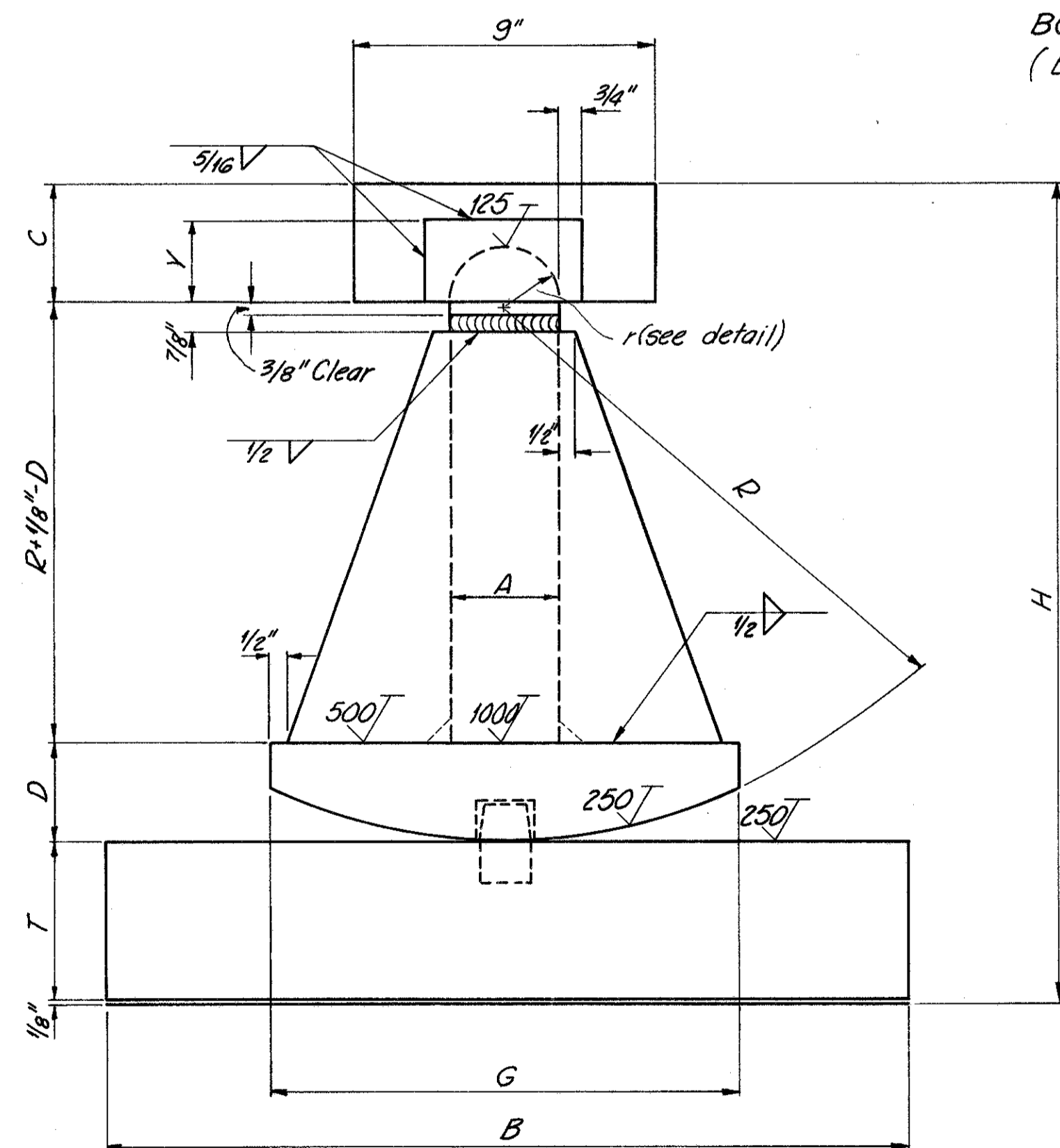


STRUCTURAL STEEL
BOLSTER
(B360)

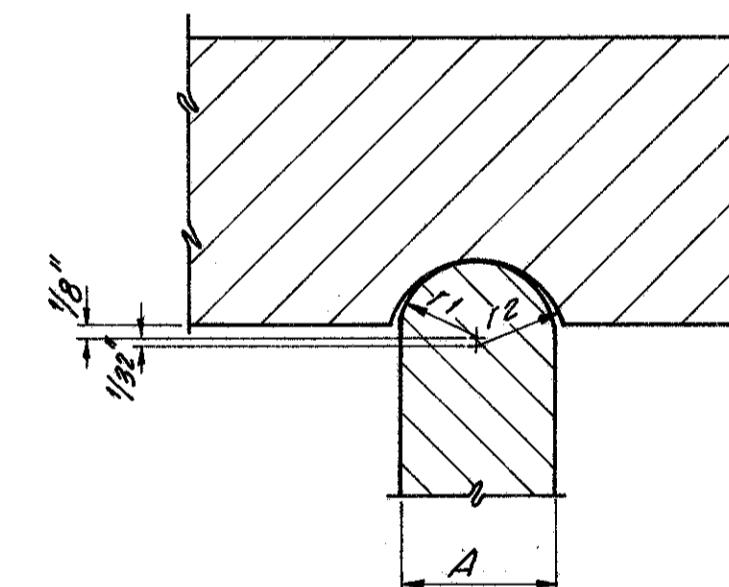
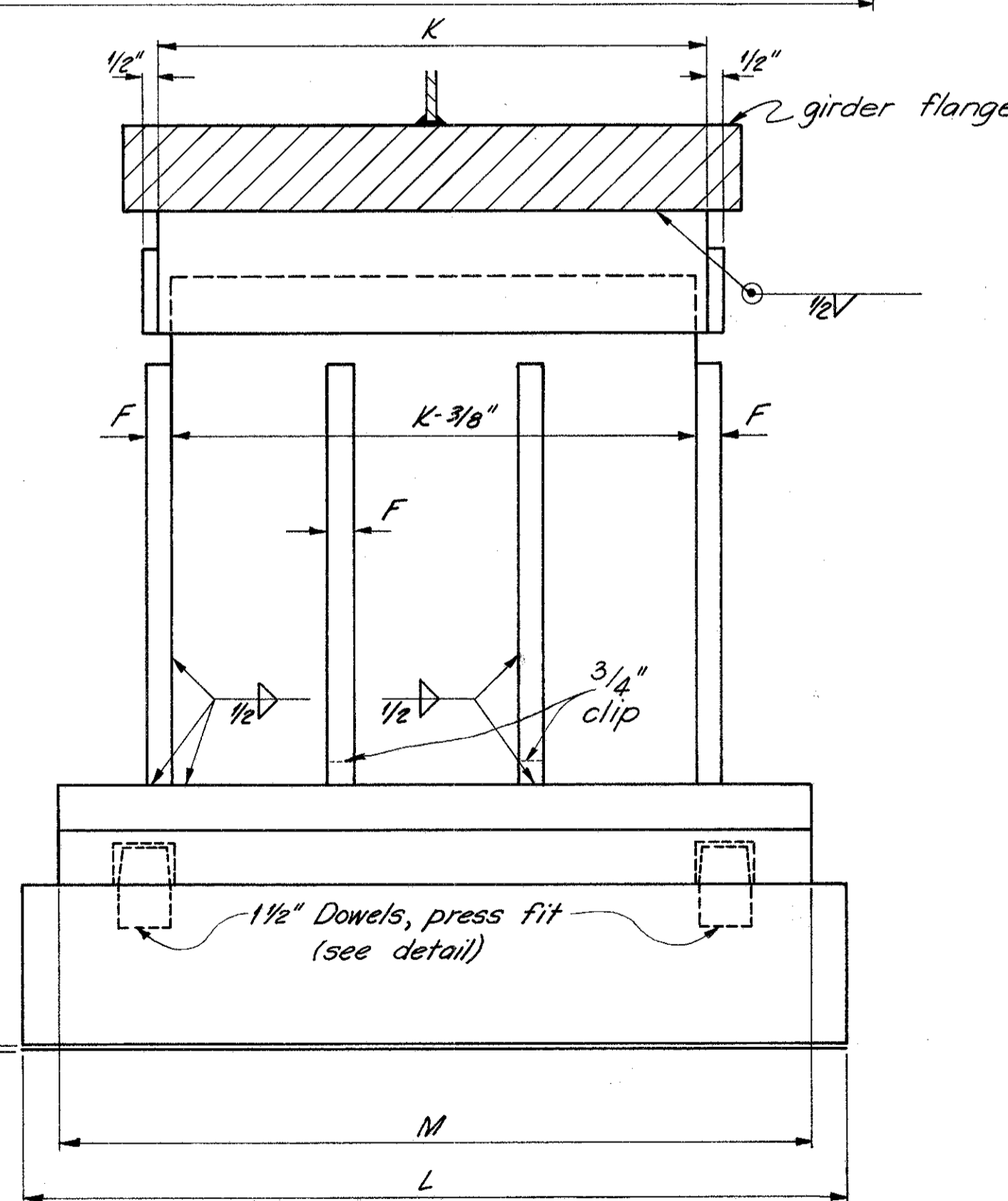


1/8" Sheet lead or preformed bearing pad.

2-1 7/8" ϕ holes for 1 1/2" ϕ x 1'-9" swedge anchor bolts with washers. Bolts set 1'-3" into concrete.

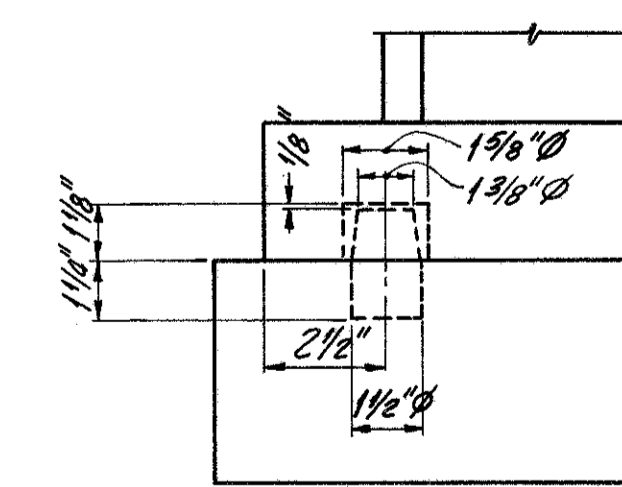


1/8" Sheet lead or preformed bearing pad.



TOP BEARING DETAIL

r1 (web) = 4/8" x 1/16"
r2 (top R) = 4/8" x 3/32"



DOWEL DETAIL

Note: Rockers shall be set vertical @ 60° F.

ROCKER	A	B	C	D	F	G	H	L	M	R	T	Y	K
R-120	2"	18"	2 1/2"	2 1/4"	1/2"	12"	19"	20"	18"	14"	2 1/4"	1 1/4"	14"
R-135	2"	15"	2 1/2"	2 1/4"	1/2"	12"	19"	22"	20"	14"	2 1/4"	1 1/4"	16"
R-320	3"	20"	3 1/2"	3 1/2"	3/4"	12"	21 1/4"	28"	25"	14"	3 1/2"	2 1/2"	16"
R-340	3 1/4"	20"	3 1/2"	3 3/8"	3/4"	12"	19 1/4"	28"	25"	12"	3 1/2"	2 1/2"	16"
R-360	3 1/4"	24"	3 1/2"	3"	3/4"	14"	24 1/4"	24"	22"	16"	4 1/2"	2 1/2"	16"

BURGESS & NIPLE LIMITED — CONSULTING ENGINEERS
COLUMBUS 12, OHIO 18/24

BEARING DETAILS
Br. No LAK-615-0402
OVER
N&W RAILWAY & P-C RAILROAD
LAKE COUNTY STA. 47+28.12
54+16.22

DESIGNED	DRAWN	TRACED	CHECKED	REVIEWED DATE	REVISED
WBR	WBR		KED	WBR 4/14/69	

DEC 1 1970 JUN 26 1970