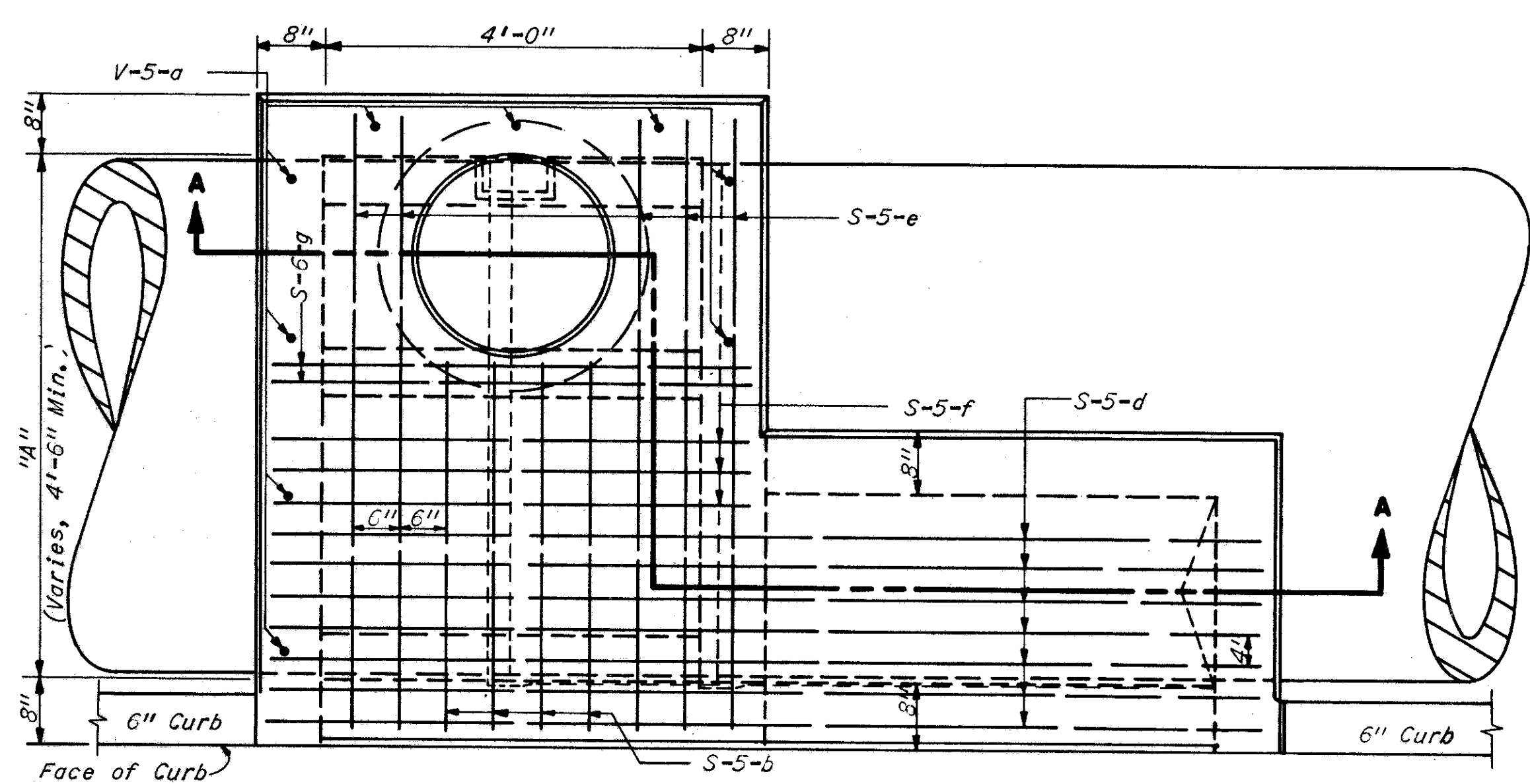


# SPECIAL NO 2-A-6 TO 2-A-20 PAVED SHOULDER INLET MANHOLE

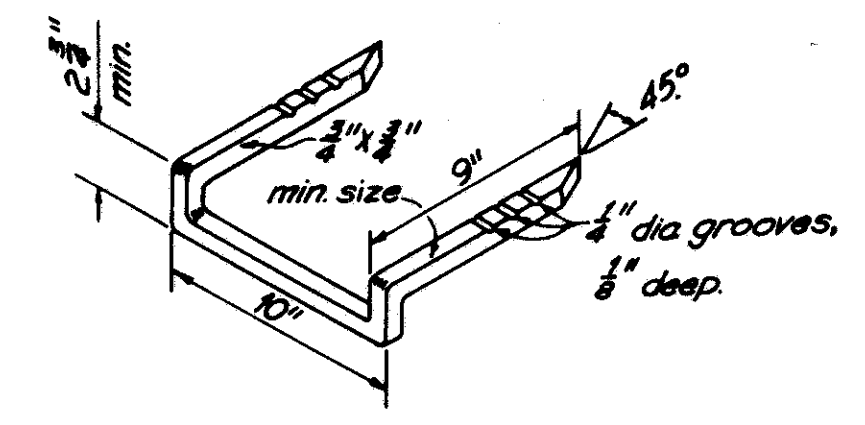
FED. RD. DIVISION	STATE	PROJECT
2	OHIO	

52  
181

LAKE COUNTY  
LAK-615-326



**PLAN**



**STEP DETAIL**

REINFORCING BARS COMMON TO ALL PIPE DIAMETERS	REINFORCING STEEL													
	Length	S-6-a		S-5-d		S-5-f		S-6-g		H-5-a		V-5-b		
	Ft.	No.	Lin. Ft.	No.	Lin. Ft.	No.	Lin. Ft.	No.	Lin. Ft.	No.	Lin. Ft.	No.	Lin. Ft.	
6	2	7'-2 1/2"	7	7'-0"	3	5'-0"	2	5'-0"	4	2'-4"	2	1'-0"		
8	6	7'-2 1/2"	7	9'-0"	3	5'-0"	2	5'-0"	4	4'-4"	4	1'-0"		
10	10	7'-2 1/2"	7	11'-0"	3	5'-0"	2	5'-0"	4	6'-4"	6	1'-0"		
12	14	7'-2 1/2"	7	13'-0"	3	5'-0"	2	5'-0"	4	8'-4"	8	1'-0"		
14	18	7'-2 1/2"	7	15'-0"	3	5'-0"	2	5'-0"	4	10'-4"	10	1'-0"		
16	22	7'-2 1/2"	7	17'-0"	3	5'-0"	2	5'-0"	4	12'-4"	12	1'-0"		
18	26	7'-2 1/2"	7	19'-0"	3	5'-0"	2	5'-0"	4	14'-4"	14	1'-0"		
20	30	7'-2 1/2"	7	21'-0"	3	5'-0"	2	5'-0"	4	16'-4"	16	1'-0"		

Pipe Diameter	A	S-5-b	S-5-e	V-5-a			
Ft.	No.	Lin. Ft.	No.	Lin. Ft.			
Under 48"	4'-6"	4	2'-11"	5	5'-6"	9	2'-6"
48"	4'-10"	4	3'-3"	5	5'-10"	9	2'-6"
54"	5'-5"	4	3'-10"	5	6'-5"	11	2'-6"
60"	6'-0"	4	4'-5"	5	7'-0"	11	2'-6"
66"	6'-7"	4	5'-0"	5	7'-7"	13	2'-6"
72"	7'-2"	4	5'-7"	5	8'-2"	13	2'-6"

**NOTES**

**GENERAL** -- The design shown hereon shall not be used for inlets having a depth (top of manhole cover to top of floor) greater than 20 feet. If split pipe is used to form the inlet bottom it shall be split concrete pipe only. Otherwise, the inlet bottom shall be formed in Class "C" concrete.

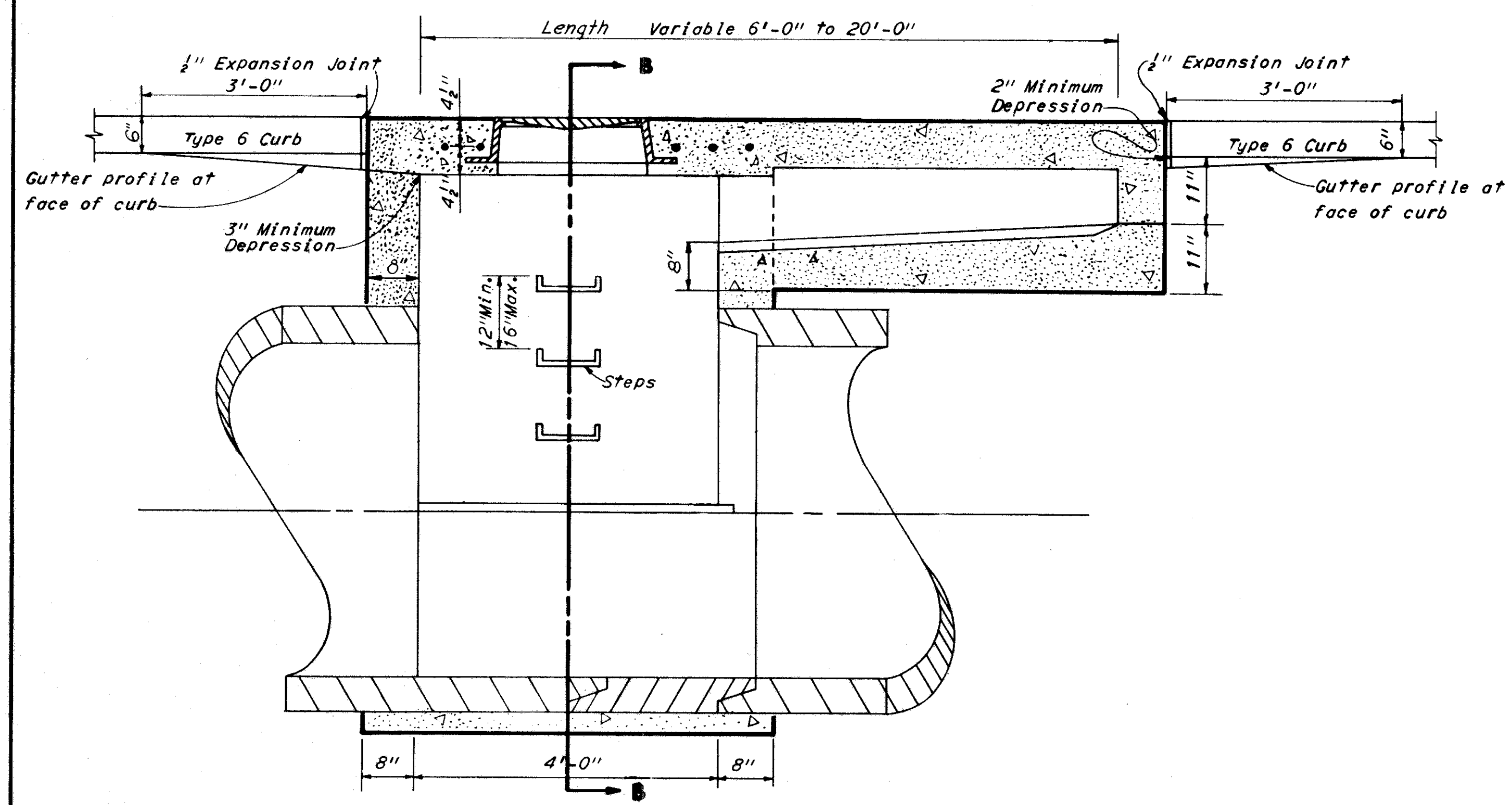
Manholes over 12 feet in depth shall be built of reinforced Class "C" Concrete. Manholes for pipes under 48" in diameter shall be reinforced by placing 1/2" diameter bars 12" center to center vertically and 1/2" diameter bars 9" center to center horizontally. Manholes for pipes over 48" in diameter shall be reinforced by placing 1/2" diameter bars 12" center to center vertically and 3/4" diameter bars at 6" center to center horizontally. Bars shall be placed with a 2" clearance from the inside face of the wall. Payment for furnishing and placing the reinforcing steel shall be included in the price bid for Item 604, Special Paved Shoulder Inlet Manhole.

For Notes and Details not shown see Standard Construction Drawing I-2A.

**FRAME AND COVER** -- The frame and cover shall be the light frame and cover detailed on Standard Construction Drawing MH-1.

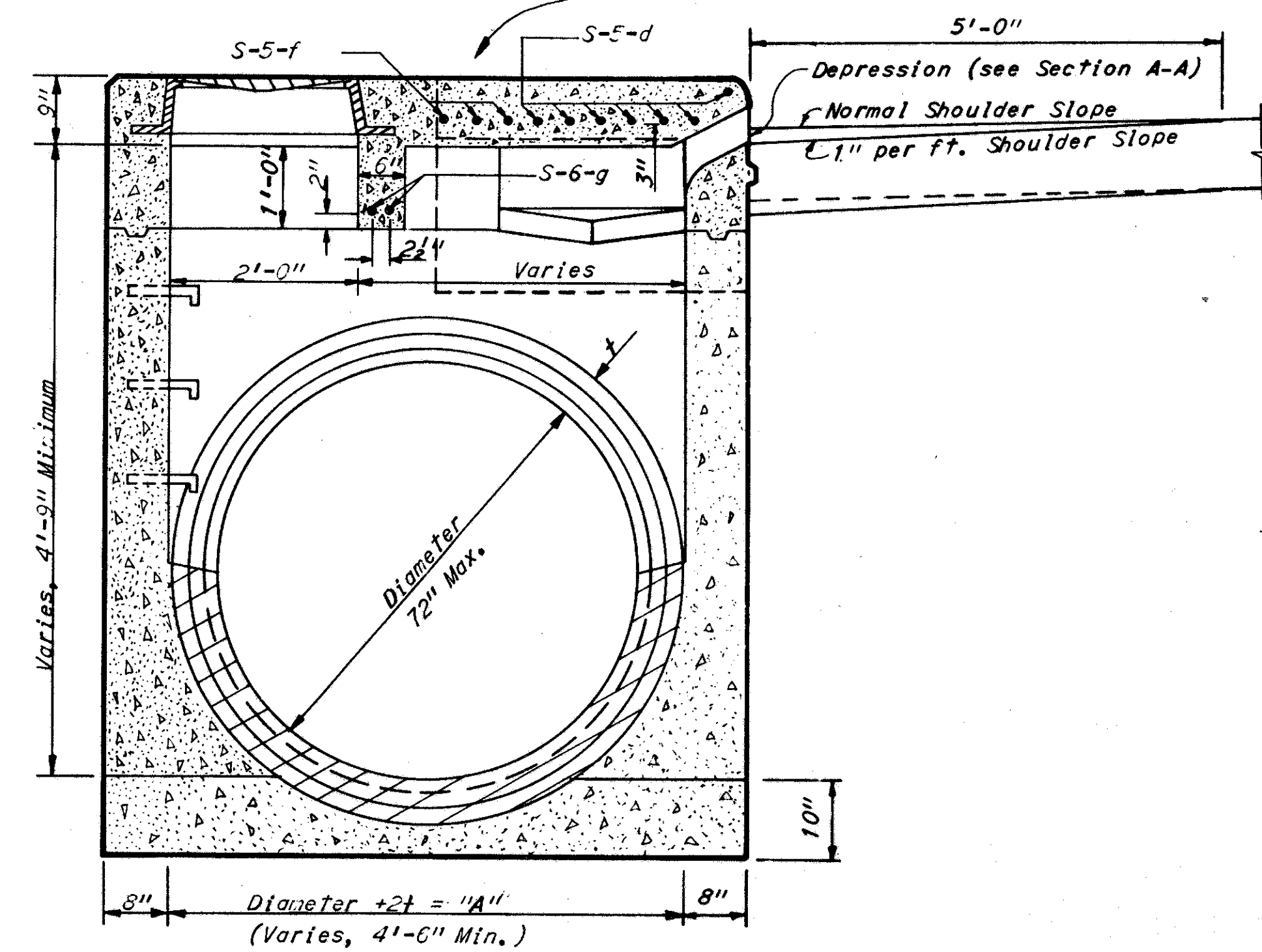
**STEPS** -- shall meet the requirements of 604.

**REINFORCING STEEL** -- Bars S-6-a and S-6-f shall be 3/8" round. All other bars shall be 1/2" round. For location of bars not shown on the drawing, see Standard Construction Drawing I-2A.



**SECTION A-A**

Note: Slope top to match typical section



**SECTION B-B**

**SPECIAL NO. 2-A INLET MANHOLE**