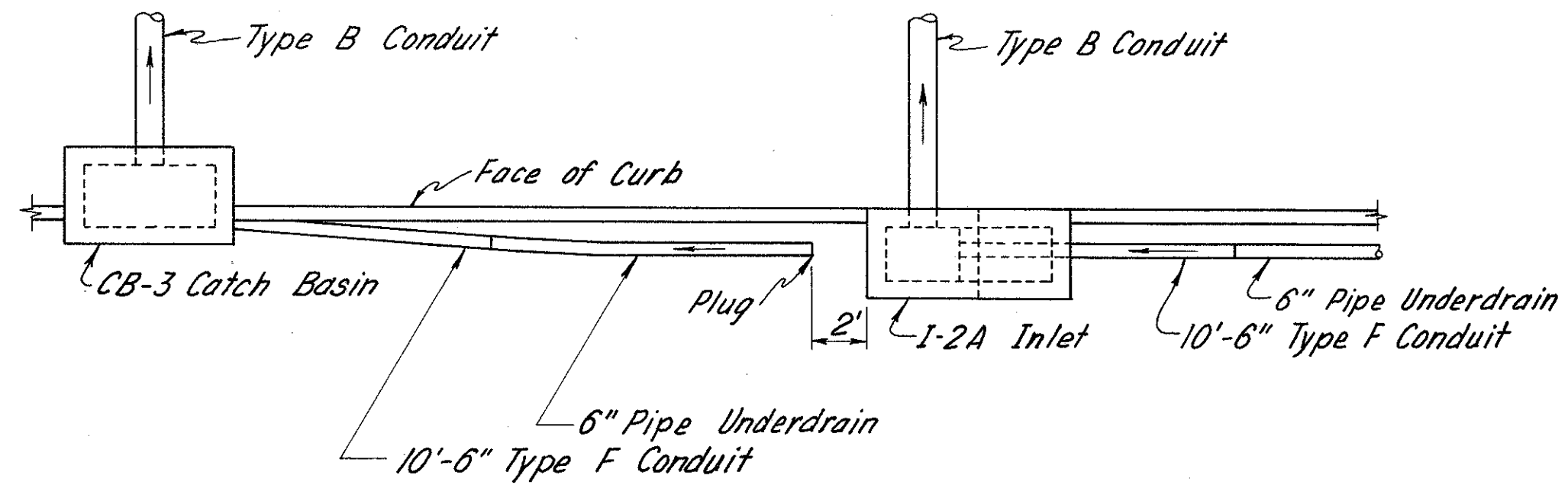
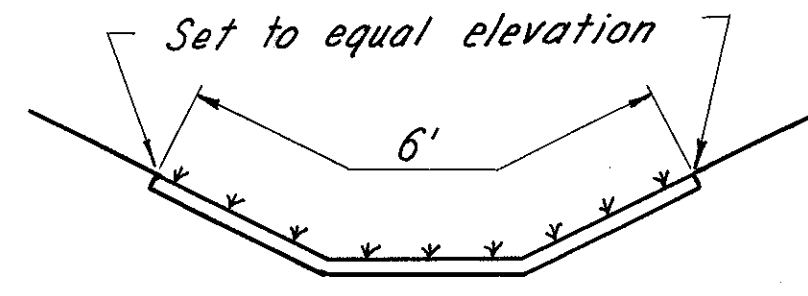


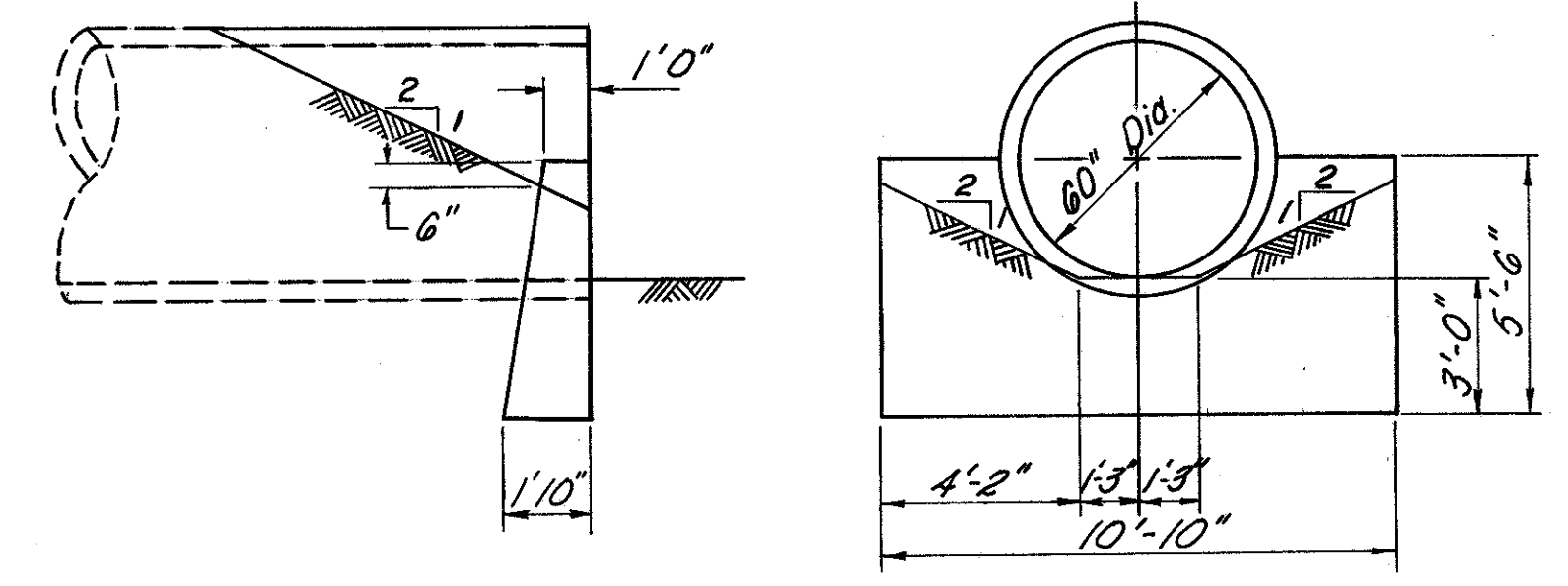
Note:
When the pipe underdrain crosses over another conduit within the area of granular backfill, a ten foot length of 6" Type F Conduit shall be used.



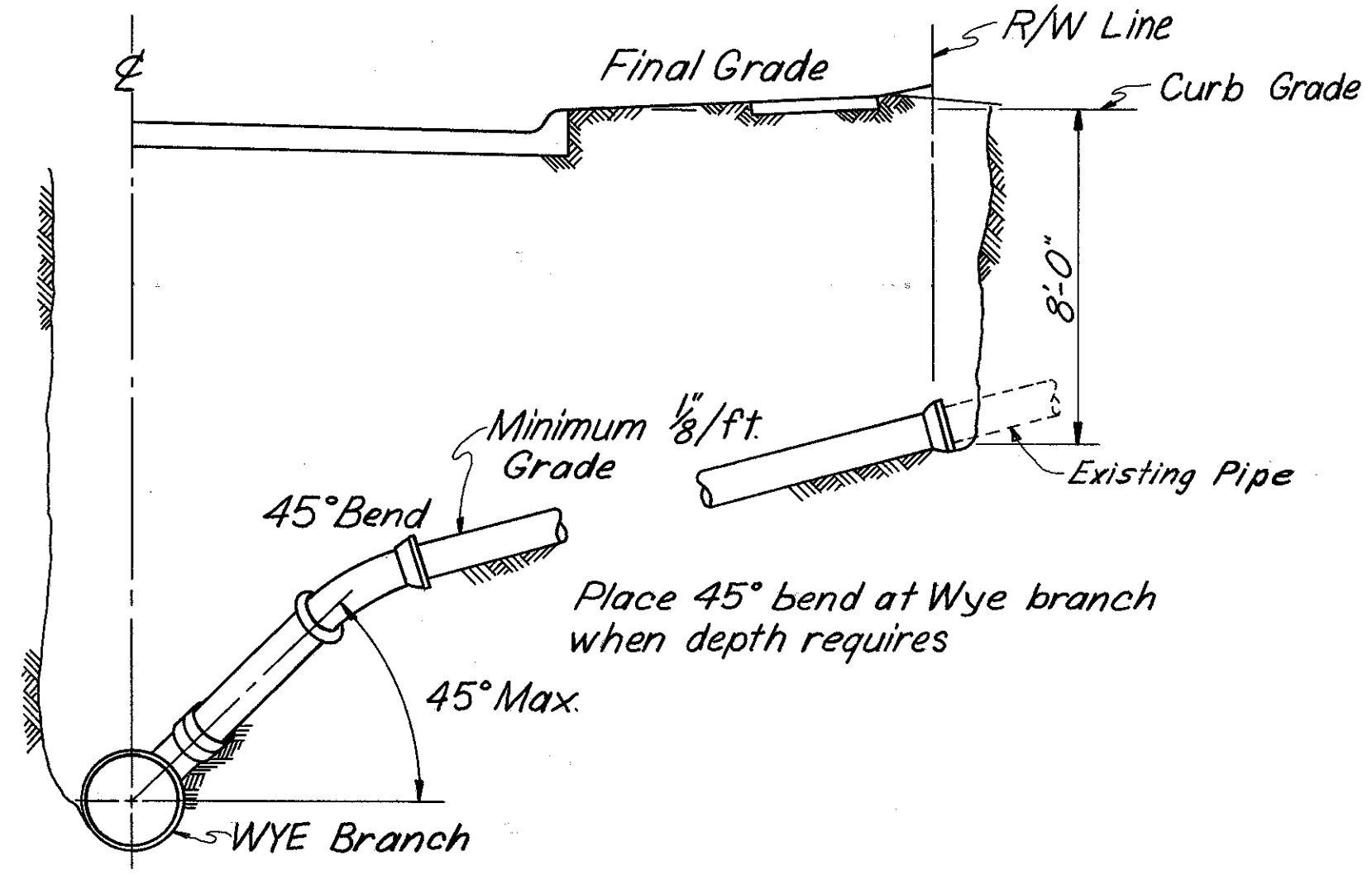
UNDERDRAIN DETAILS



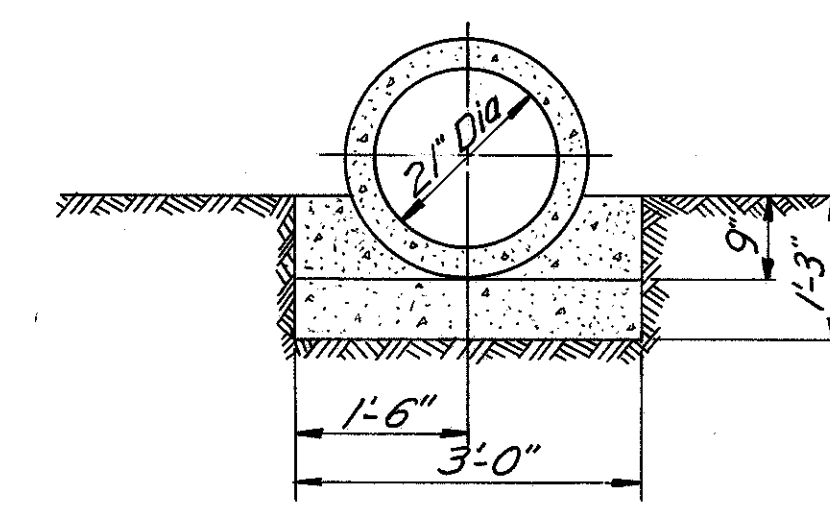
SOD DETAIL



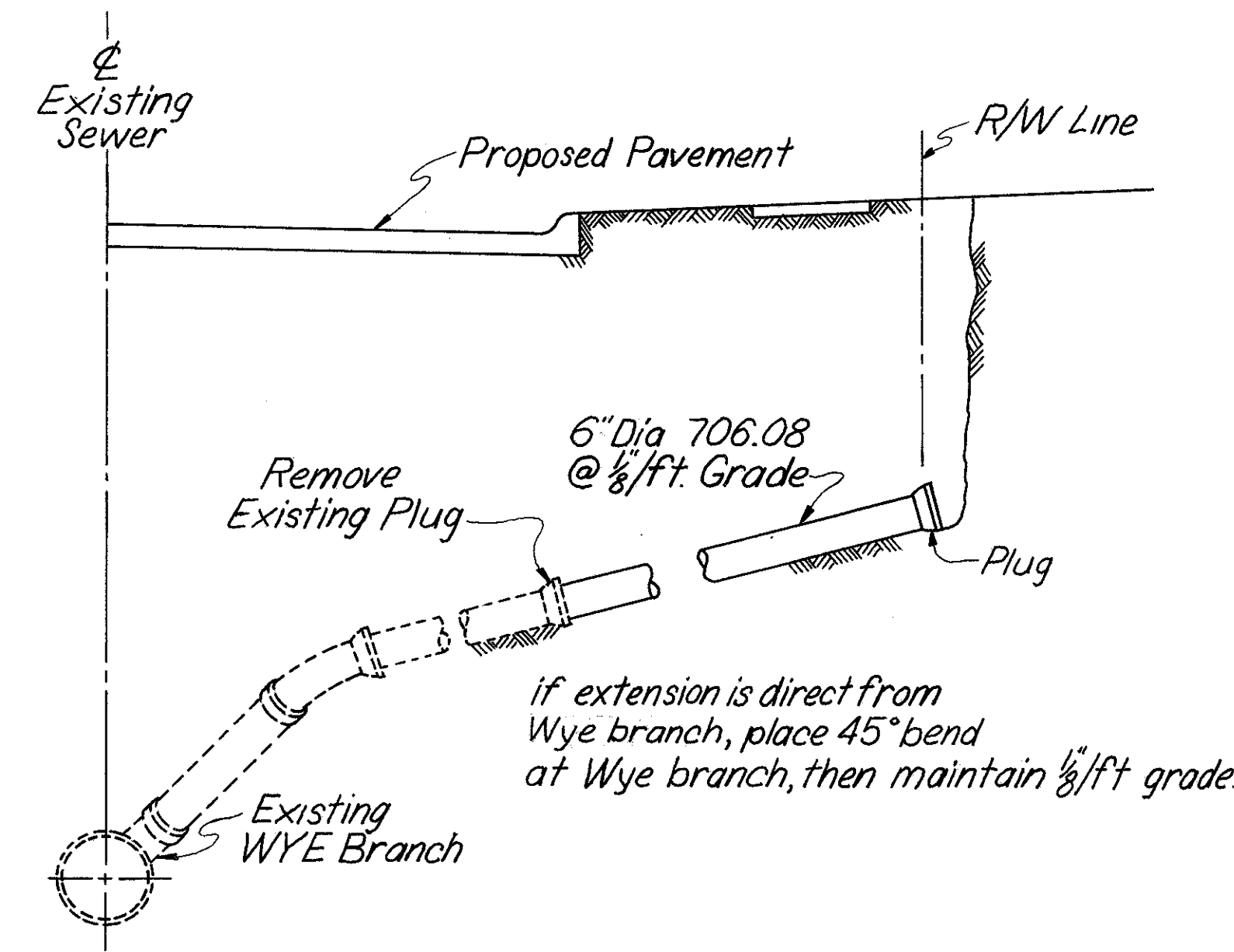
SP-53 ENDWALL DETAIL



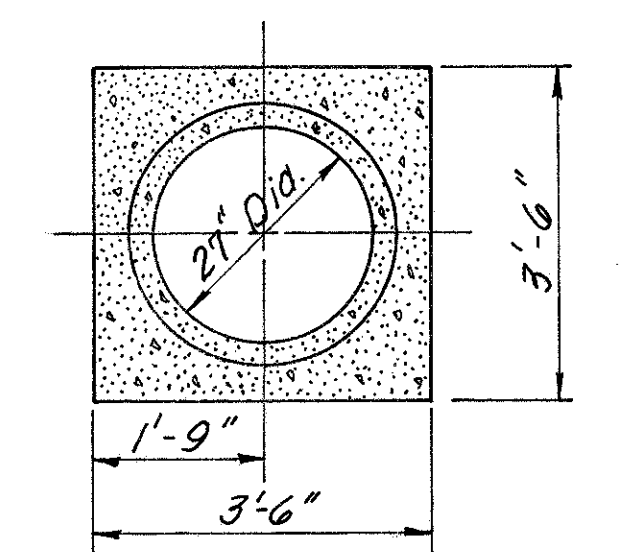
TYPICAL SANITARY SERVICE CONNECTION



CLASS A BEDDING DETAIL
21" Type B Conduit
D719 sheet 21



TYPICAL SANITARY SERVICE EXTENSION



CLASS A BEDDING DETAIL
27" Type C Conduit
D723 sheet 21

LOCATION OF SANITARY SERVICE LATERALS TO BE EXTENDED							
Sta. of MH	Distance from MH	Offset from Trunk	Depth of Existing Cover	Sta. of MH	Distance from MH	Offset from Trunk	Depth of Existing Cover
CENTER STREET							
70+14	300.3	58L	5.7	9+71	213.6	19L	10.0
	407.8	58L	5.5	7+18	28	36L	9.0
43+00	284	58L	7.2		107	35L	9.5
	347	58L	8.0		131	5R	9.5
	350	39R	6.8		235	39L	8.5
38+62	15.5	10AR	6.9	4+78	18.6	35L	9.0
	147	21L	8.5				
	244	21L	7.5	76+35	65	65R	5.4
	257	10R	8.0		190	58R	5.6
	341	10R	10.0		304	58R	5.6
35+07	61	20.5L	10.0				
	110	20.5L	9.5				
	240.5	21L	10.0				
	274.5	11R	10.0				
	317	21L	9.0				
MENTOR AVENUE WEST							
North Collector				South Collector			
30+38	36	17R	10.0	5+54	178	4L	7.5
	99	17R	9.0		309	4L	7.5
	178	17R	10.0				
	281	15L	10.0	3+83	57	R	8.0
23+94	263	14.8R	9.2		123	R	7.8
20+17	65.4	15L	10.3		253	R	7.3
	136.9	14.8L	8.0				
	208.9	15L	8.5				
	233.9	15R	10.0				
MENTOR AVENUE EAST							
North Collector				South Collector			
17+76	48.5	15R	10.0	10+31	193	L	8.5
	84.5	16R	9.0		231.5	L	8.3
	185.5	16L	9.0		254	L	8.3
	52	14.8R	9.0		271.5	L	8.4
15+52	0.0	21L	11.0		316	L	8.4
	52	14.8R	9.0	13+50	17.5	L	8.1
13+00	34.5	14.5R	10.0		35	L	8.1
	100	14.5R	10.0		212	L	8.3
	166	14.5L	9.5				
South Collector				North Collector			
9+71	84.5	19L	10.0	9+71	160	4.8R	8.2
	157.6	14R	10.0		257	4.8R	8.2
	171.6	19L	10.0	13+82	151	3.8R	8.4