

TYPICAL SECTIONS

FED. RD. DIVISION	STATE	PROJECT	
2	OHIO		

4
181

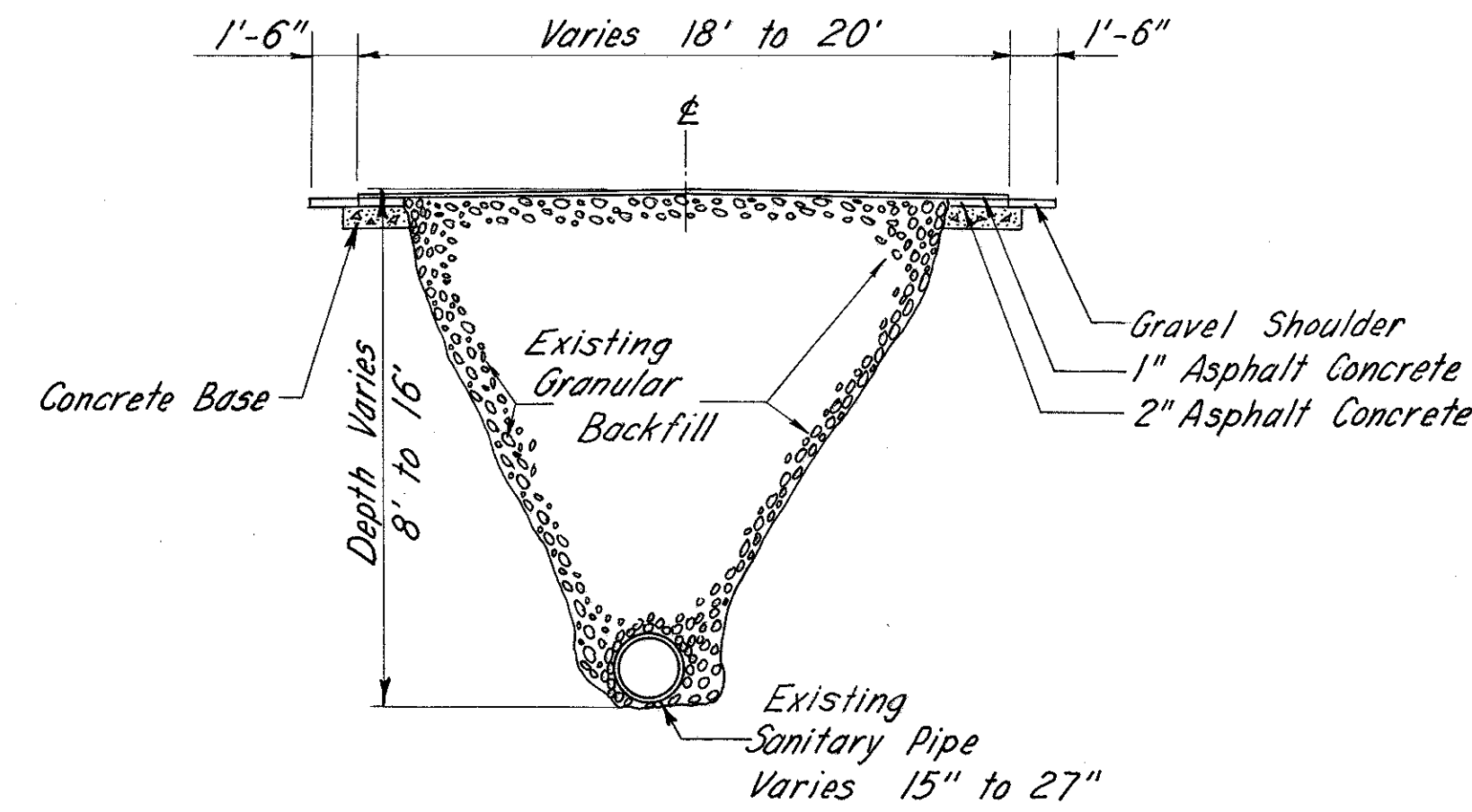
LAKE COUNTY
LAK-615-3.26

LEGEND

- ① Item 451 9" Reinforced Portland Cement Concrete Pavement.
- ② Item 310 6" Subbase, grading A, as per plan.
- ③ Item 605 6" Pipe Underdrain.
- ④ Item 609 Curb, Standard Type 2A.
- ⑦ Item 659 Seeding and Mulching.
- ⑧ Item 404 1 1/4" Asphalt Concrete (70-85 or AC 20)
- ⑨ Item 402 1 1/4" Asphalt Concrete (70-85 or AC 20)
- ⑩ Item 301 3" Bituminous Aggregate Base : 702.01(85-100 or AC 10); or 702.09, RT-11 or RT-12
- ⑪ Item 408 Bituminous Prime Coat: 702.09, RT-2 or RT-3 applied at the rate of 0.40 gal per sq. yd.
- ⑫ Item 304 8" Aggregate Base.
- ⑬ Item 452 7" Plain Portland Cement Concrete Pavement.
- ⑭ Item 310 3" Subbase, Grading A, as per plan.
- ⑮ Item 605 4" Pipe Underdrain.

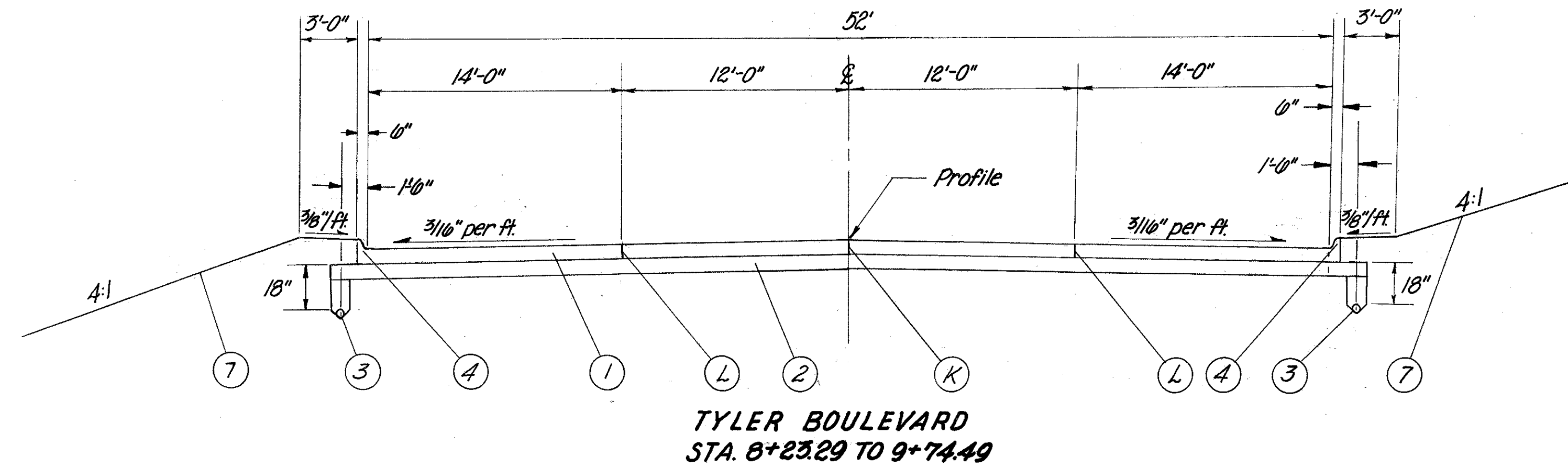
L Standard Longitudinal Joint

K Key joint without tiebars

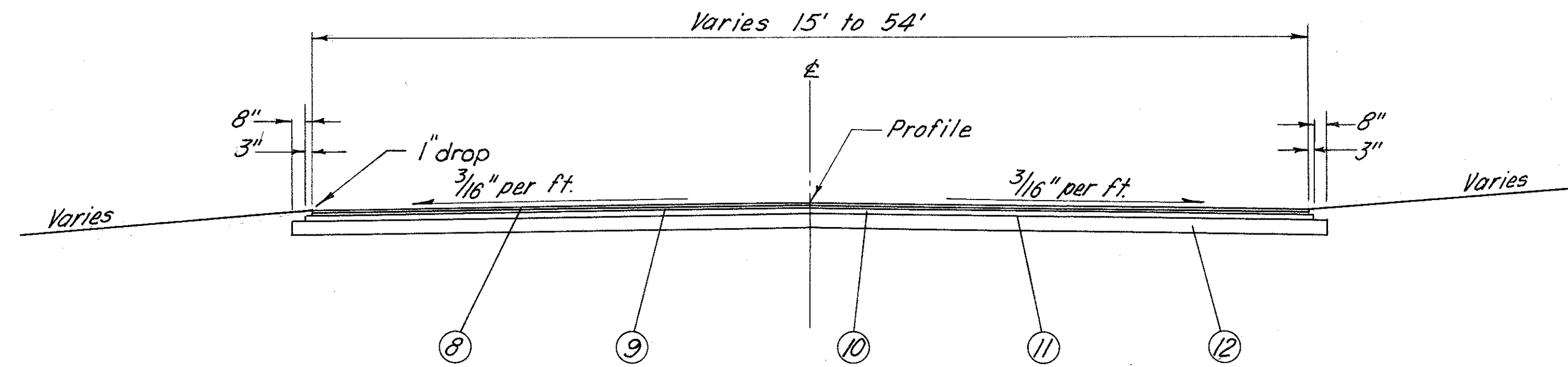


TYPICAL SECTION EXISTING PAVEMENT S.R. 615

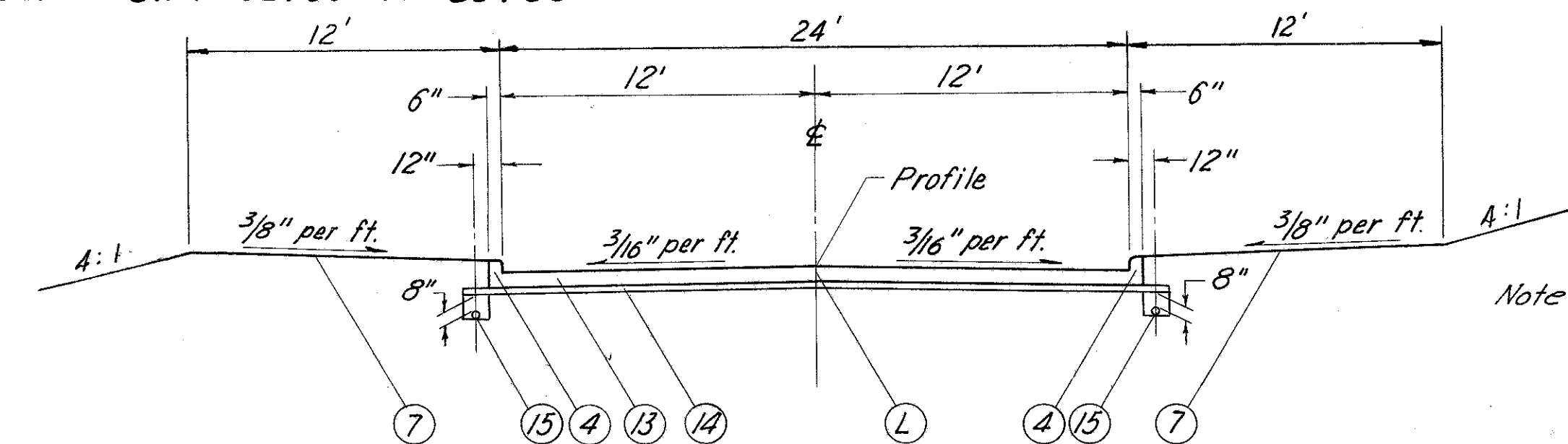
Sta. 7+20 to 39+00
Sta. 51+50 to 56+00



TYLER BOULEVARD STA. 8+23.29 TO 9+74.49



- S.R. 615 STA. 2+42 TO 6+92
- MENTOR AVE. STA. 3+00 TO 4+50
- STA. 15+75 TO 17+25
- PROSPECT ST. STA. 8+50 TO 9+24.44
- STA. 11+04.06 TO 11+75
- NOWLEN ST. STA. 8+50 TO 9+21.50
- STA. 10+94.57 TO 11+75
- KELLY DRIVE STA. 9+00 TO 9+44.29
- STATION ST. STA. 52+00 TO 52+50



STATION STREET STA. 49+69 TO 52+00

Note: The pavement shown on this typical section shall be used to construct the cul-de-sac.

DEC 11 1970

TYPICAL SECTIONS

JUN 26 1970