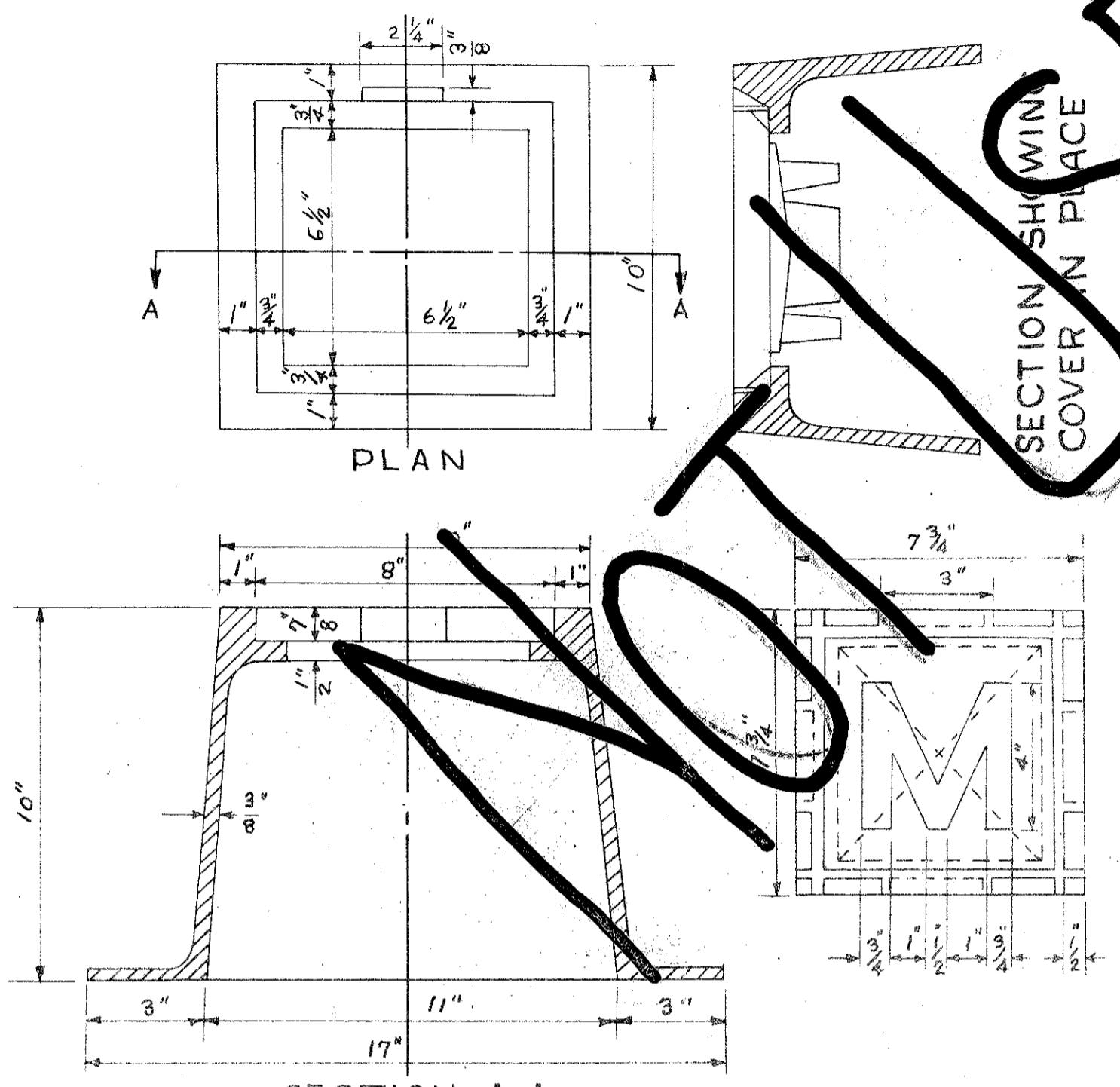
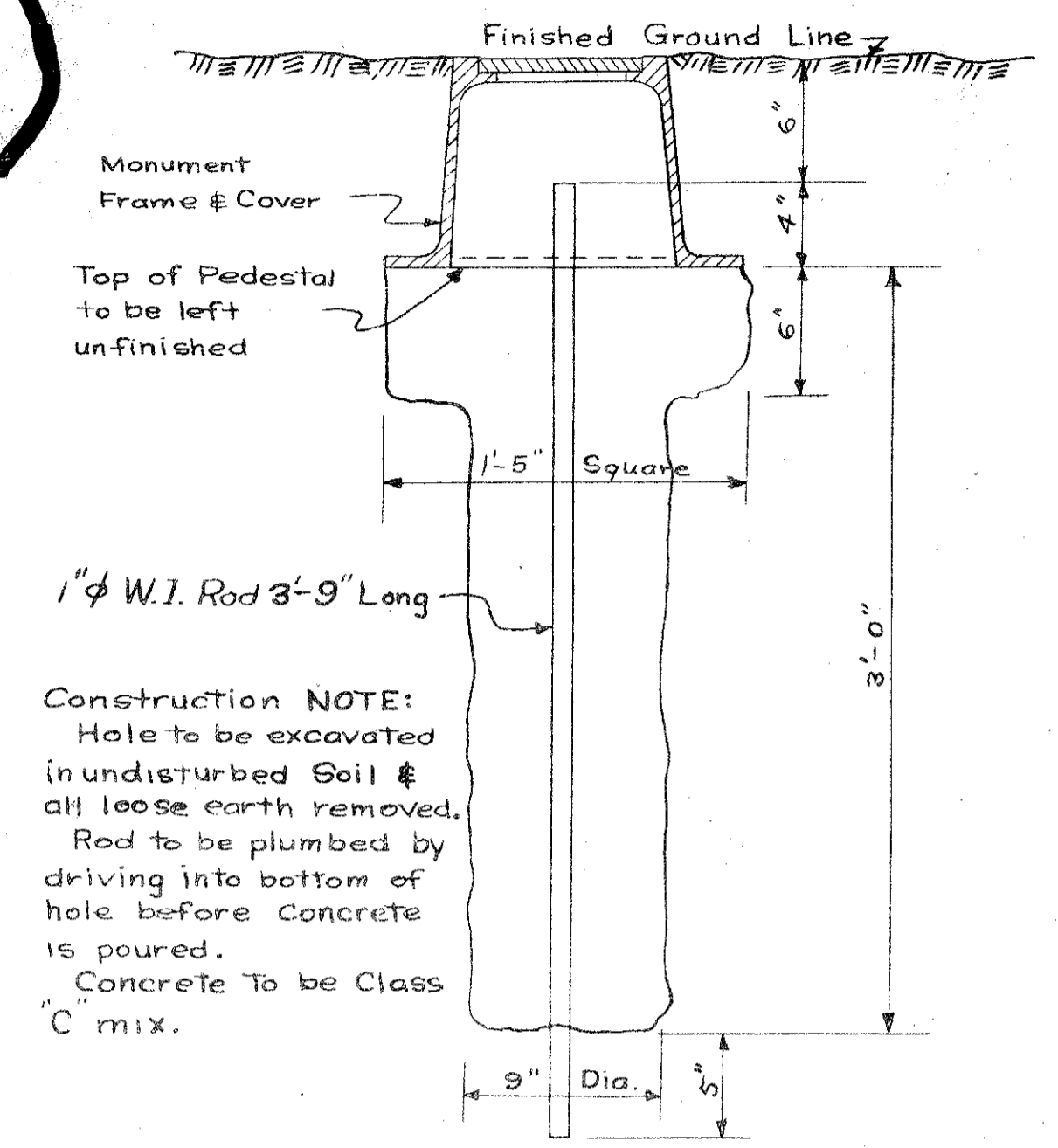


LAK-615-0.06

### MONUMENT BOX TYPE A UNPAVED AREAS



NOT REUSED

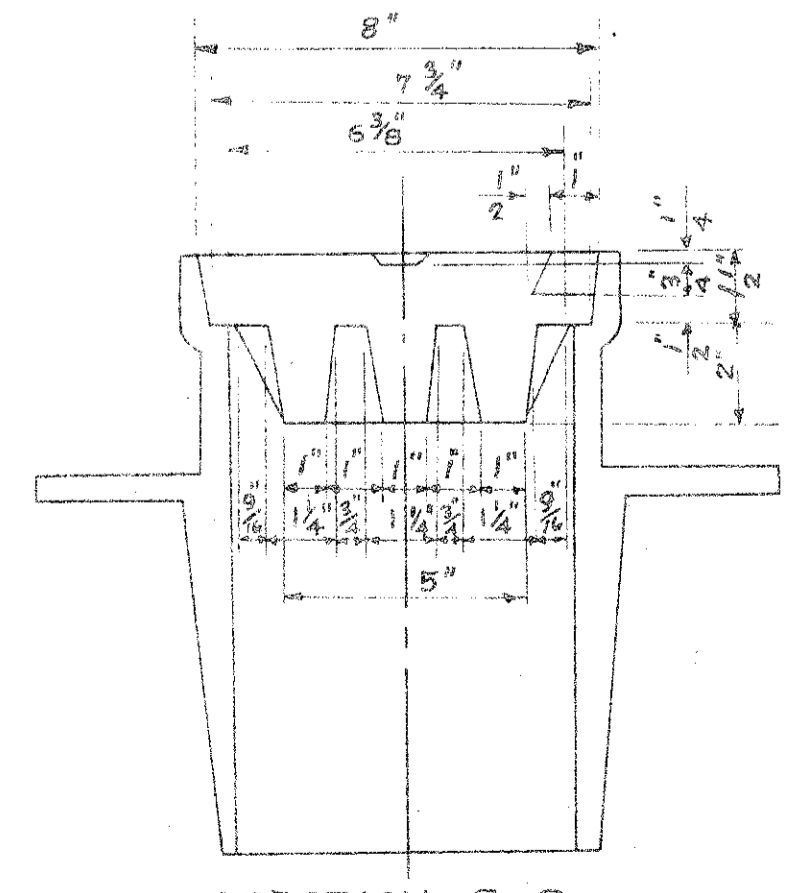
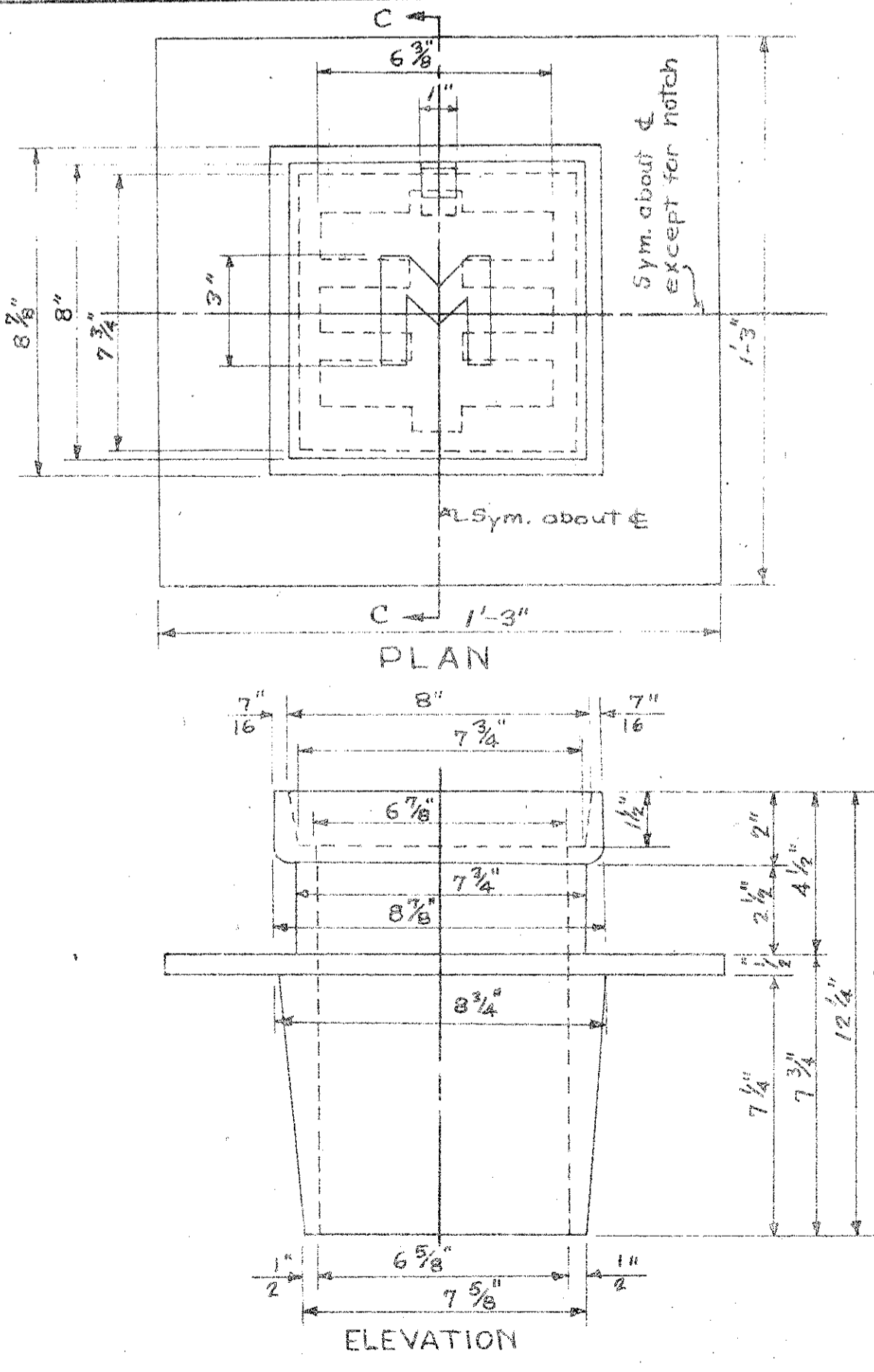


Construction NOTE:  
Hole to be excavated in undisturbed Soil & all loose earth removed.  
Rod to be plumbed by driving into bottom of hole before Concrete is poured.  
Concrete to be Class "C" mix.

DETAIL OF MONUMENT ASSEMBLY  
Scale: 1/2" = 1'-0"

SECTION A-A  
MONUMENT FRAME & COVER C.I.  
Scale 3" = 1'-0"

### MONUMENT BOX TYPE B PAVED AREAS



SECTION C-C  
MONUMENT FRAME & COVER C.I.  
Scale 3" = 1'-0"