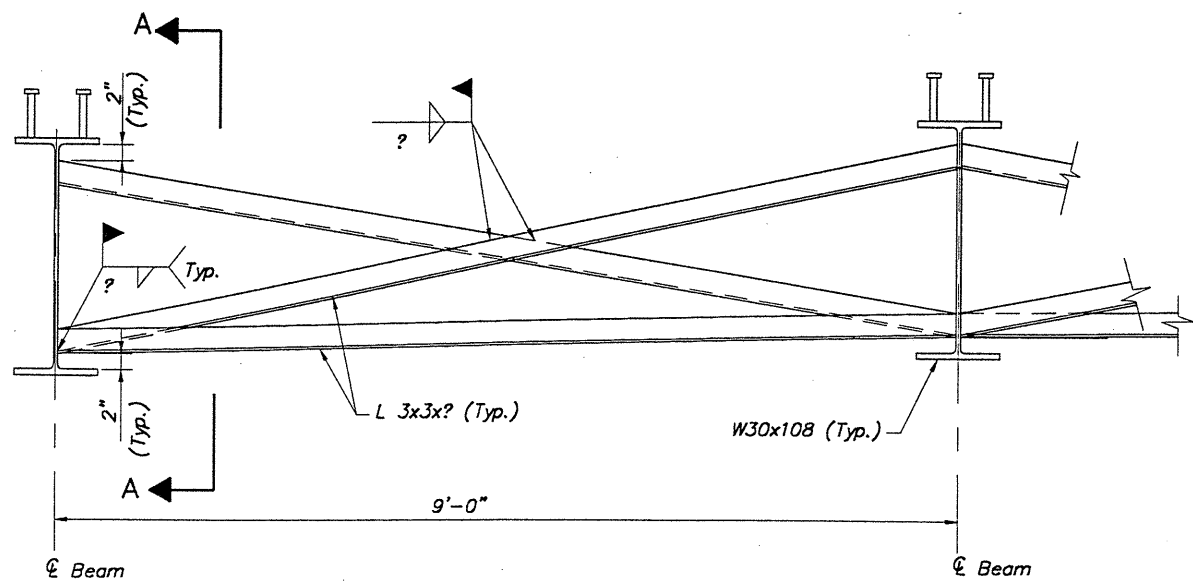
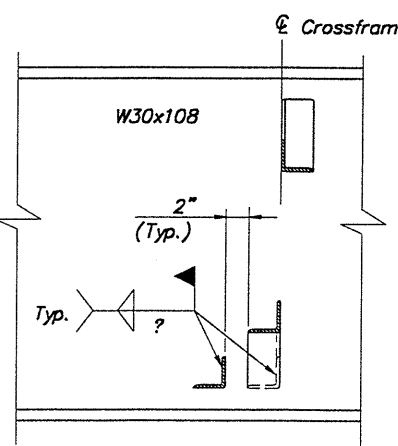


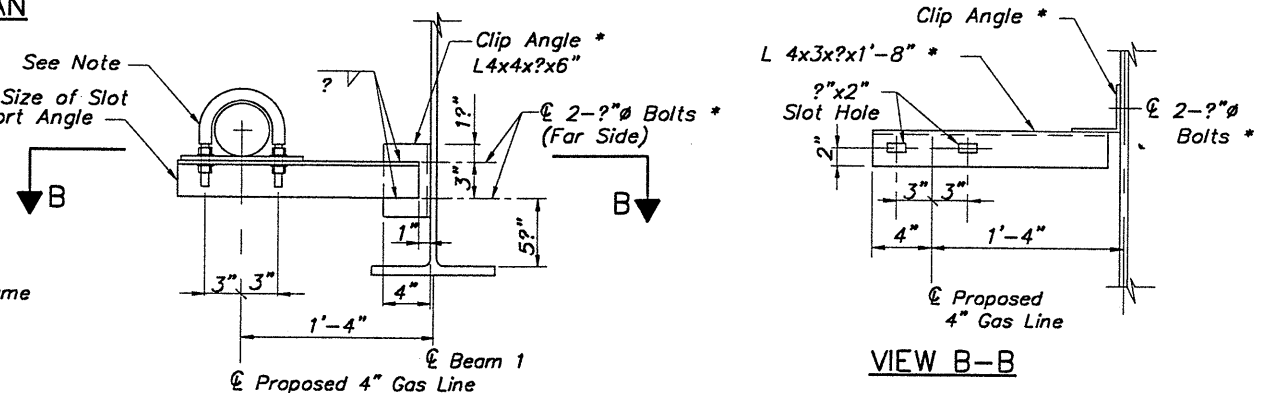
STEEL FRAMING PLAN



INTERMEDIATE CROSSFRAME DETAIL



SECTION A-A



VIEW B-B

* - All Structural Steel Components for the Gas Line Supports Shall be A588 Steel and Shall Be Furnished and Installed by the Bridge Contractor. High Strength Bolts Shall Conform to ASTM A325, Type III.

Payment for Material, Fabrication and Installation Shall be Under the Lump Sum Bid for Item 863-Structural Steel, Misc.: East Ohio Gas Line Support Brackets and 8" O.D. Steel Sleeve Pipes for Payment.

NOTE: The East Ohio Gas Company Will Furnish And Install The Following As Per The East Ohio Gas Company Standard: Nuts; Washers (Steel); Washers (Neoprene) Micarta Collars; Polypropylene Pads; Vinyl Tubing (Tygon); U-Bolts and the Gas Line Itself.

GAS LINE SUPPORT DETAIL

- NOTES: 1. For Bridge Transverse Section See Sheet 14/19.
 2. For Beam Elevation, Details and Steel Notes, See Sheet 11/19.
 3. Notation: Brg.-Bearing; Spa.-Spaces; Typ.-Typical.

H:\1\97260\CAD\97260B04.DWG PLOT SCALE 1:64

CT Consultants, Inc.
 Engineers - Architects - Planners
 1000 Main Street, Suite 1000, Columbus, Ohio 43215
 DATE: 12/31/99
 REVIEWED: J.E.A.
 DRAWN: I.A.S.
 DESIGNED: I.A.S.
 CHECKED: J.P.R.
 STRUCTURE FILE NUMBER:
 REVISION:
 I.A.S.
FRAMING PLAN
 BRIDGE NO. LAK-615-0029
 OVER EAST BRANCH CHAGRIN RIVER
 LAK-615-0.00
 10 / 19
 84
 95