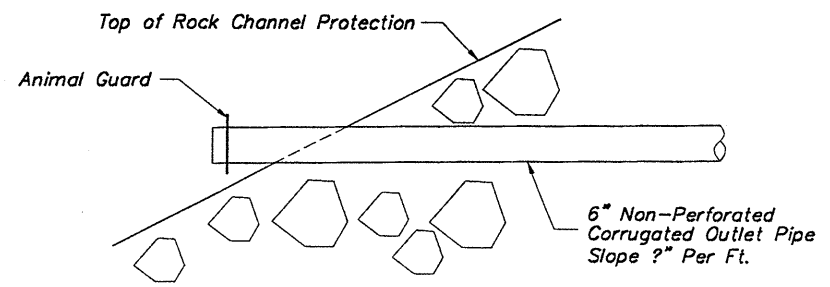
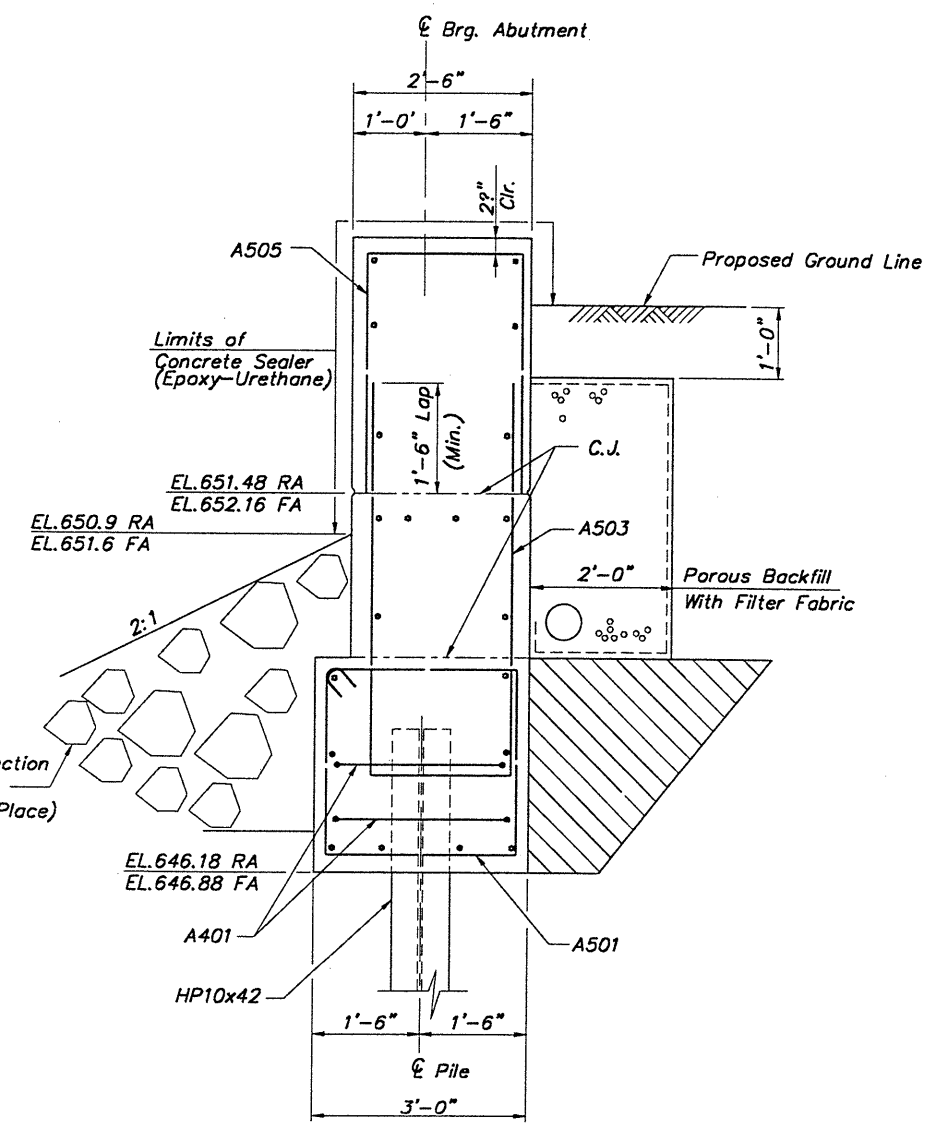


* - Optional Excavation May be Performed at the Contractor's Expense.

SECTION K-K



PIPE TERMINATION DETAIL



SECTION J-J

(For Additional Information, See Section K-K)

NOTES:

1. For Rear Abutment Plan and Elevation, See Sheet 5/16.
2. For Forward Abutment Plan and Elevation, See Sheet 6/16.
3. For Rear Abutment and Forward Abutment Integral Backwall Details, See Sheet 13/16.
4. Porous Backfill With Filter Fabric, 2'-0" Thick, Shall Extend Up to the Plane of the Subgrade, to One Foot Below the Embankment Surface, and Laterally to the Ends of the Wingwalls. Geotextile Fabric Shall Conform With 712.09, Type A. The Bottom of Porous Backfill Shall be Sloped (?'' Per Foot Minimum) Laterally to Drain. Geotextile Fabric is Included With Porous Backfill for Payment.
5. For Waterstop Location, See Section G-G and Detail X on ODOT Std. Dwg. ICD-1-82, Sheets 3 and 5 of 5. For Prefomed Expansion Joint Filler Location, See ODOT Std. Dwg. ICD-1-82, Sheet 3 of 5. Payment for Labor, Materials, and Installation of Waterstop and PEJF Shall be Included in Item 511-Class C Concrete, Abutment, Not Including Footing, As Per Plan.
6. NOTATION: C.J.-Construction Joint; EL.-Elevation; Typ.-Typical; Clr.-Clear; RA-Rear Abutment; FA-Forward Abutment; Brg.-Bearing; PEJF-Prefomed Expansion Joint Filler; Min.-Minimum.

H:\CT\97260\CAD\97260B28.DWG PLOT SCALE 1:32

DATE	12/30/99
REVIEWED	J.E.A.
STRUCTURE FILE NUMBER	
DRAWN	I.A.S.
REVIS	I.A.S.
DESIGNED	I.A.S.
CHECKED	J.P.R.

ABUTMENT DETAILS
KIRTLAND-CHARDON ROAD BRIDGE
OVER EAST BRANCH CHAGRIN RIVER

LAK 615 - 0.00