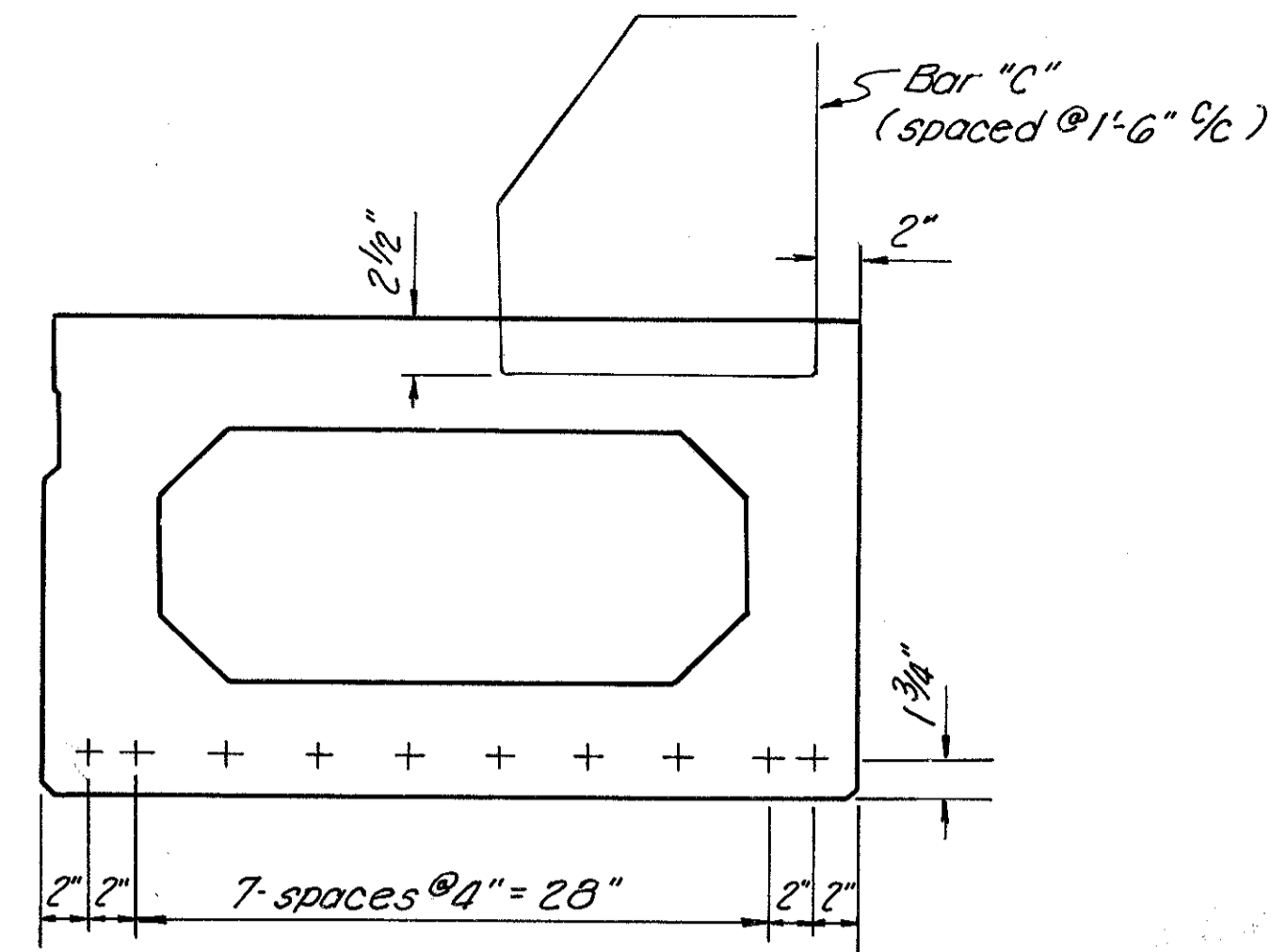
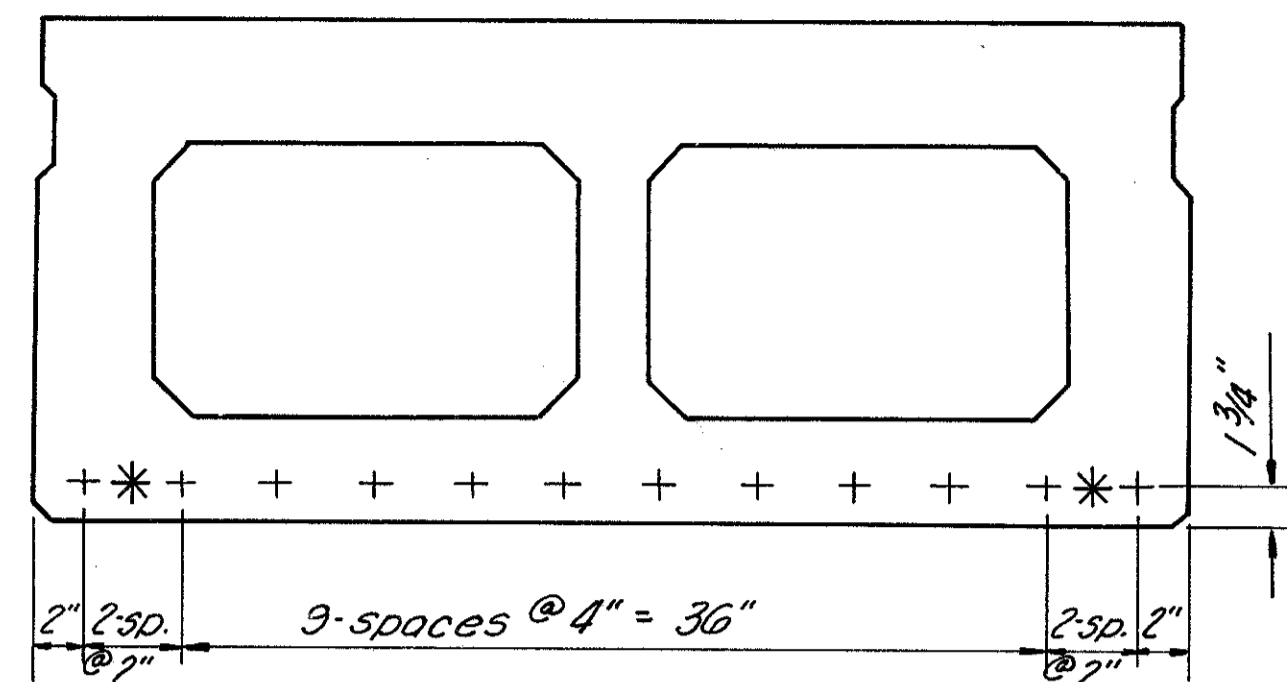


MICROFILMED
JAN 7 1983



B21-36
(10 strands required)



B21-48
(14 strands required)

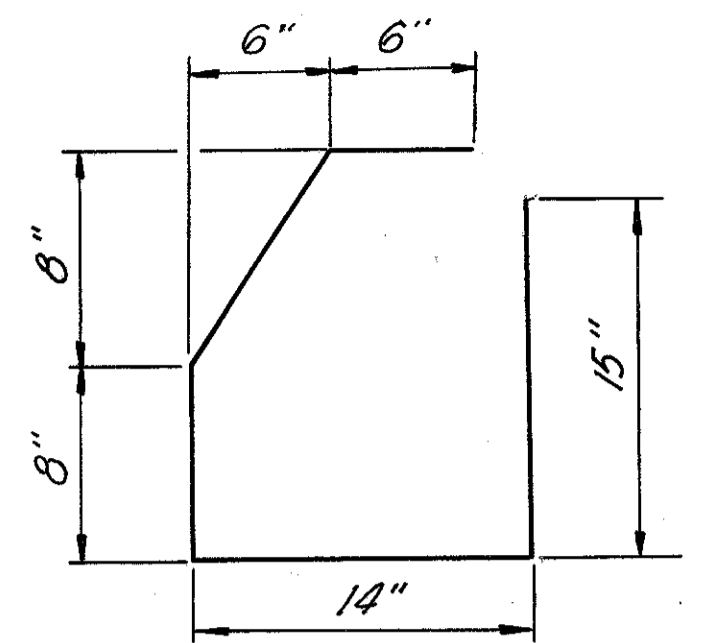
NOTES:

CONCRETE STRESSES:
Min. concrete strength at 28 days $f'_c = 5,500$ p.s.i.
Min concrete strength at time of initial prestress $f'_ci = 4,000$ p.s.i.
PRESTRESSING STRANDS:
Prestressing strands, $\frac{1}{2}$ " dim. 270 K seven-wire, uncoated stress-relieved strand. $A_s = 0.154$ sq.in.
Initial tension = 28,900 lbs. per strand.
Tension at release = 26,600 lbs. per strand (assumed)
Final tension = 21,700 lbs. per strand after all losses (assumed)
* indicates a strand to be debonded of 1'-6" at each end of the beam.

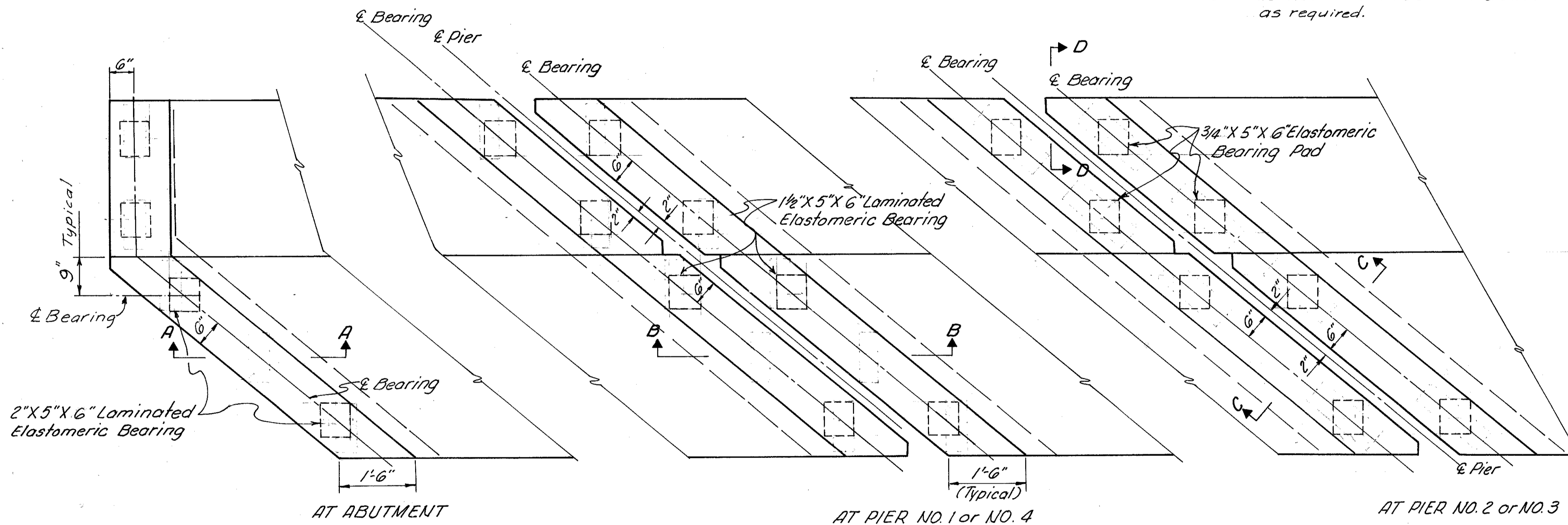
Reinforcing steel in box beams not shown, however the fabricator must submit shop drawings showing complete details of the reinforcing for approval.
Reference is made to standard drawing P5BD-1-71 for details of beams.
At top, of each end of beam, shall be provided 4 No. 4 (7'-6" Long) additional bars to the reinforcement already shown on the mentioned standard drawing.
Clearance of top reinforcing steel shall be 2" instead of 1" as shown on P5BD-1-71. Bar bending diagrams shall be adjusted as required.

FHWA REGION	STATE	PROJECT	22
5	OHIO		32

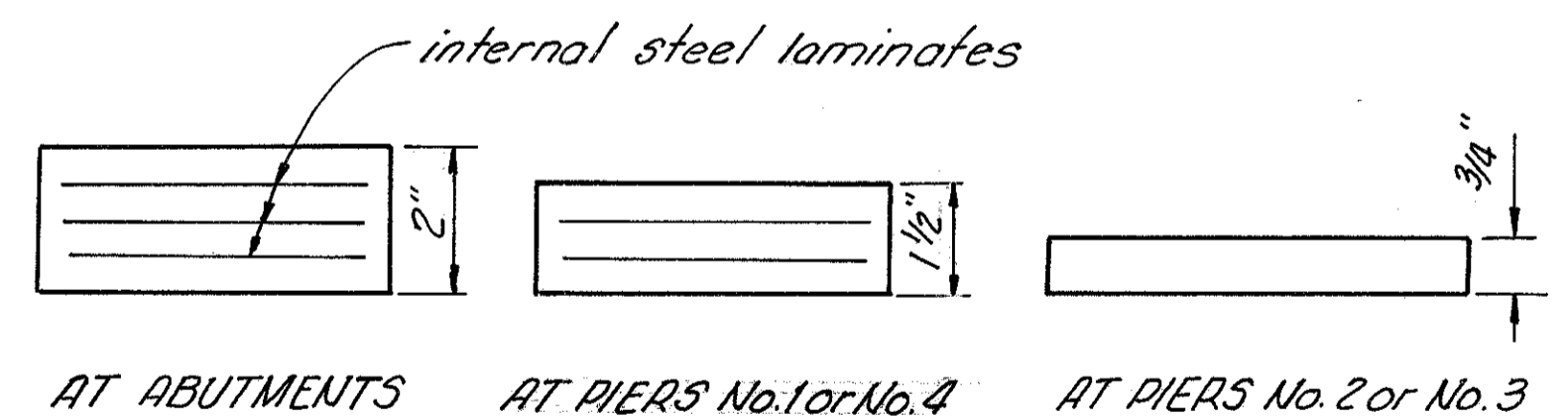
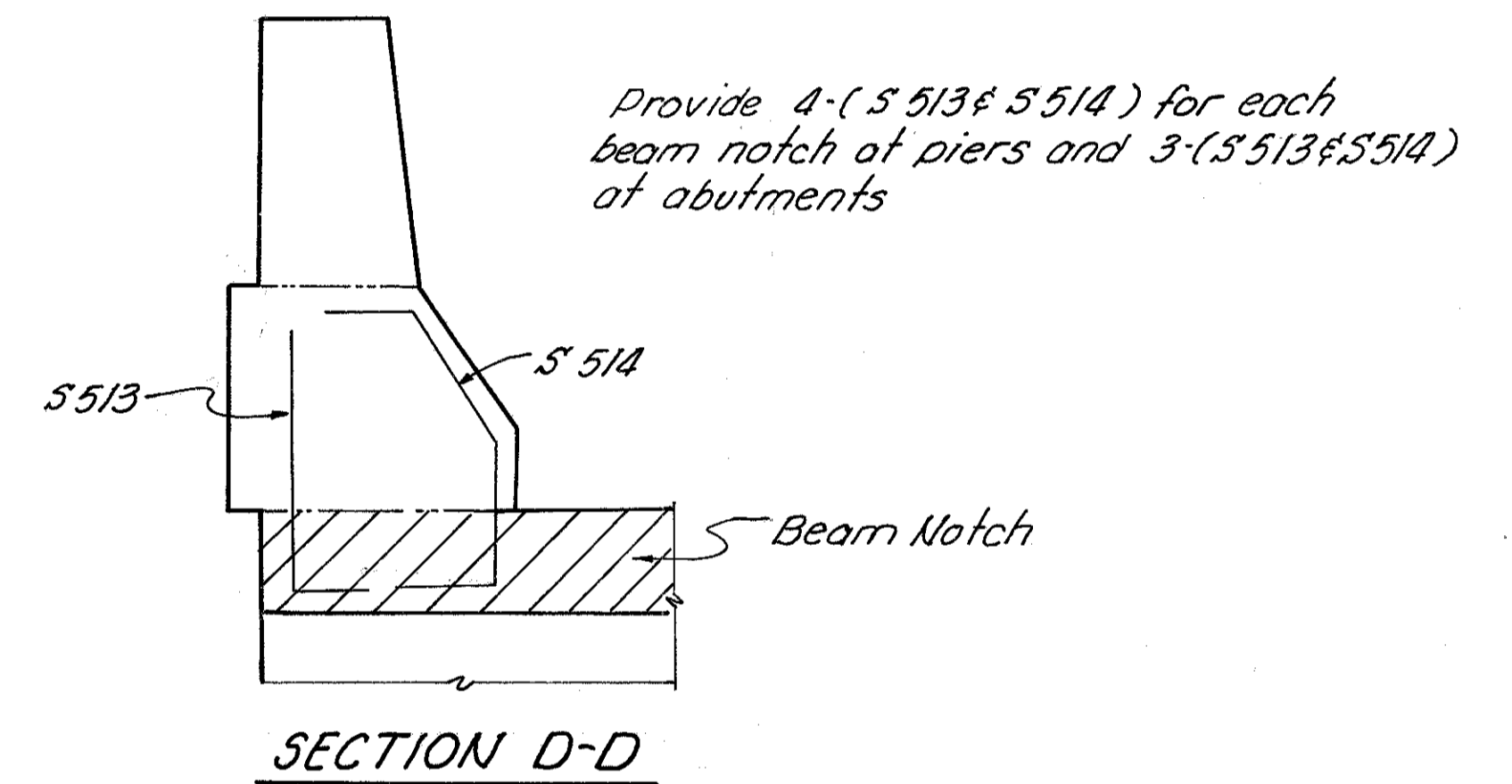
LAKE COUNTY
LAK-608-03.35



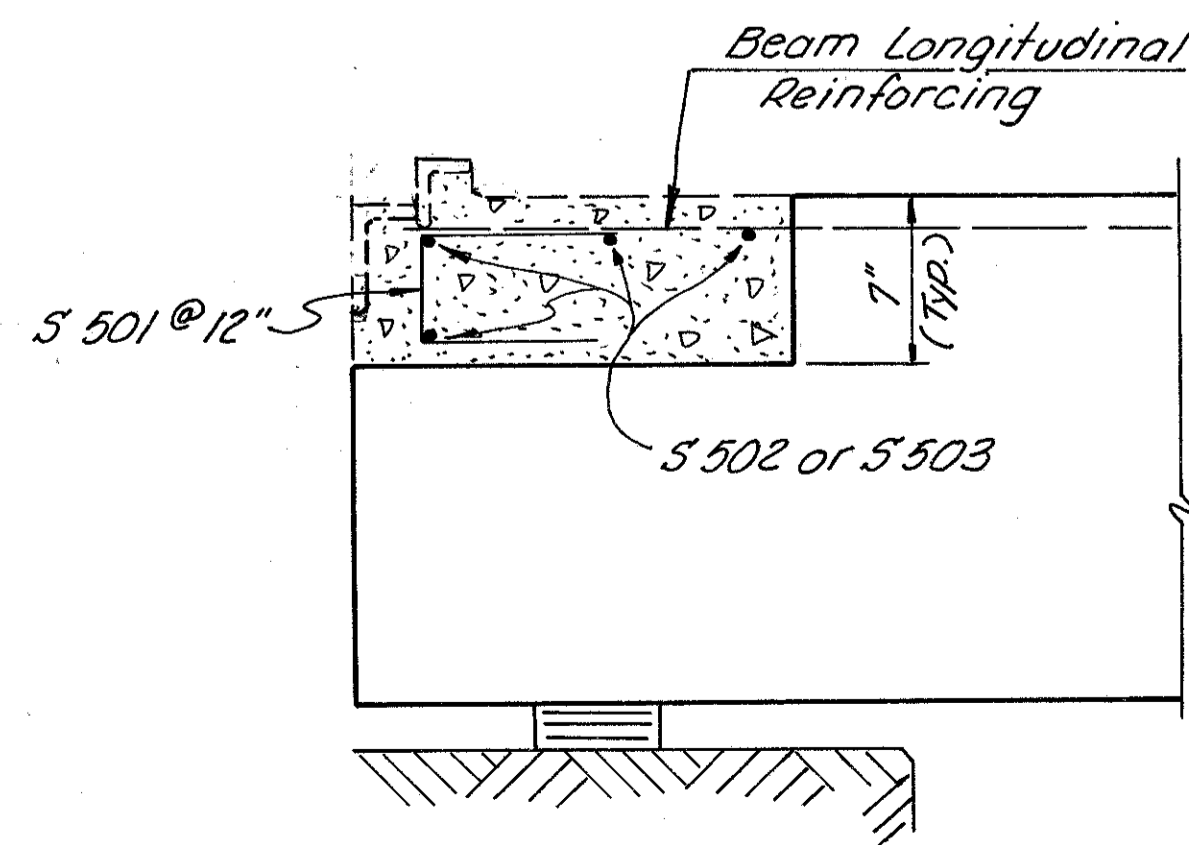
BAR "C"
(included with B21-36 for payment)



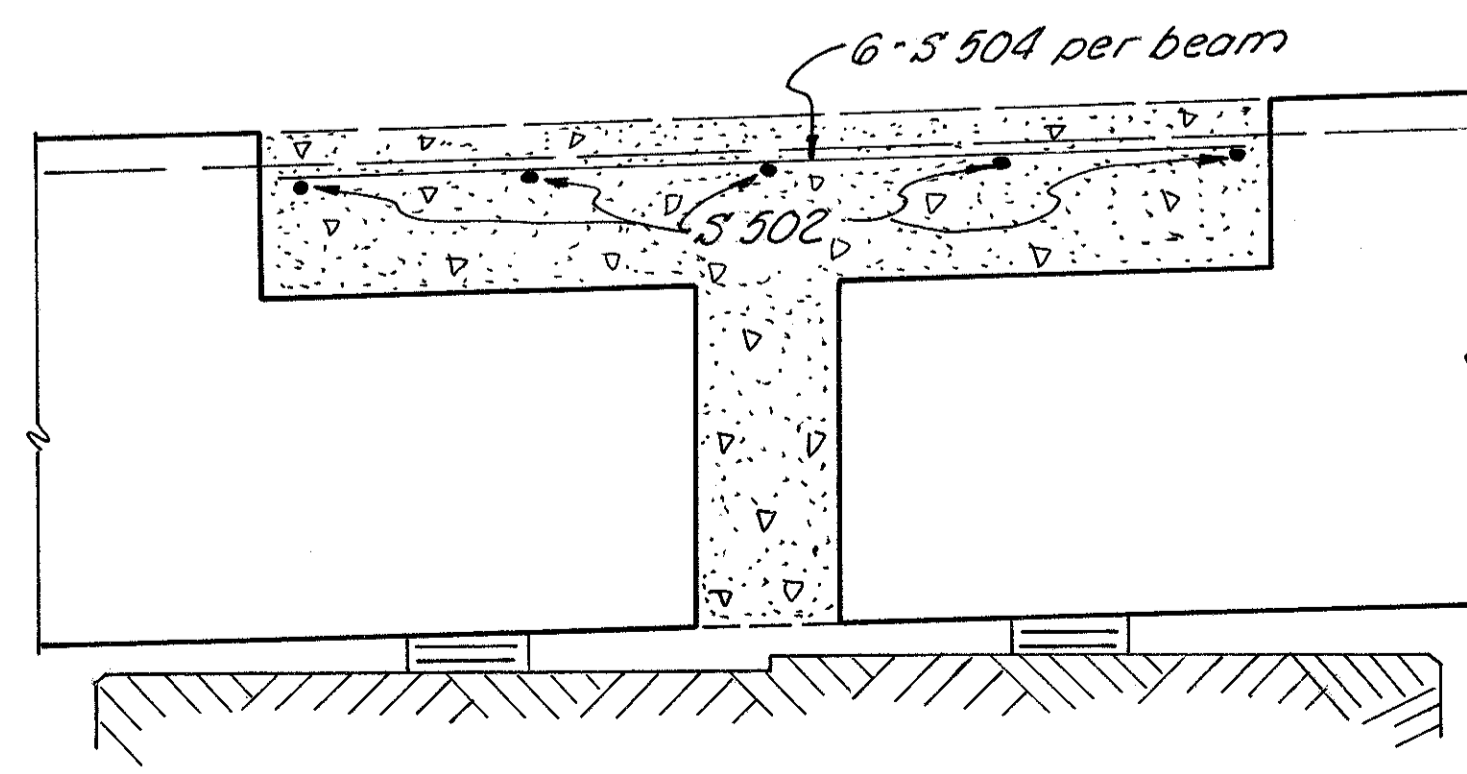
TYPICAL BEARING LAYOUTS



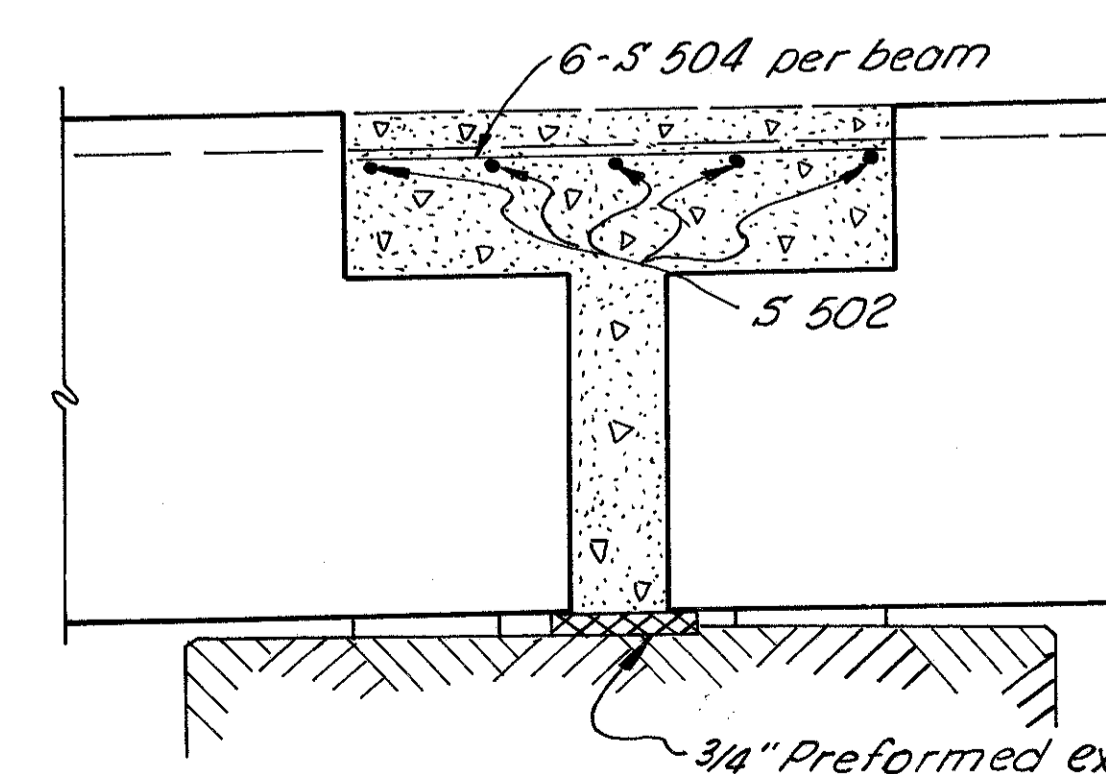
ELASTOMERIC BEARINGS



SECTION A-A



SECTION B-B



SECTION C-C

NOTES

All bearings shown, shall be fabricated of 50 durometer neoprene.
For geometrical non-parallelism provide shims where necessary to maintain the bearing elastomer under compression.
Shims shall be preformed bearing pads $\frac{1}{8}$ " thick per 711.21 except hardness shall be Shore A durometer 80 ± 10 .
See Sheet 211 for bearing recess dimensions.

7/11					
ERIKSSON ENGINEERING COLUMBUS OHIO					
SUPERSTRUCTURE DETAILS					
BRIDGE NO LAK-608-0337					
S.R. 608 OVER CHESSIE SYSTEM					
STA. 48+94.09 to					
LAKE CO. STA. 51+12.85					
Designed	Drawn	Checked	Reviewed	Date	Revised
V.K.	J.D.	C.E.	688	11/14/77	