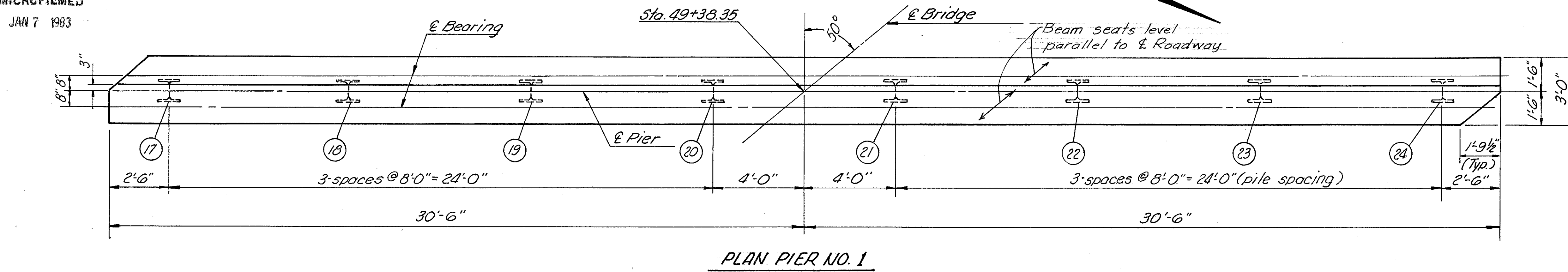


MICROFILMED  
JAN 7 1983

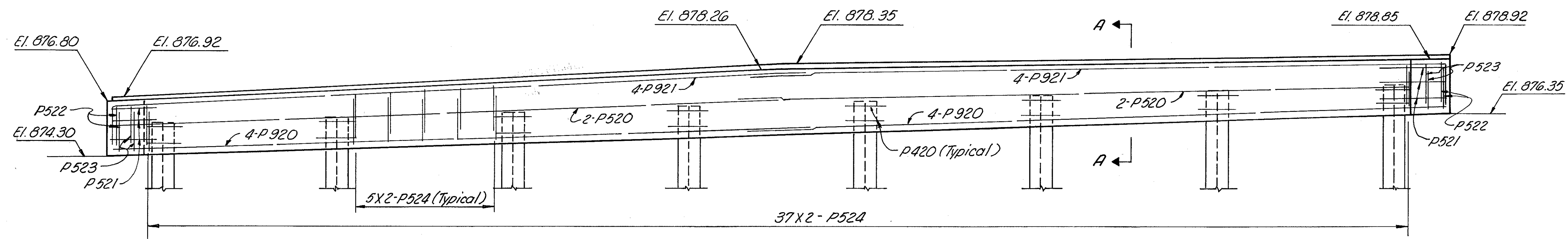
FHWA REGION	STATE	PROJECT
5	OHIO	

20  
32

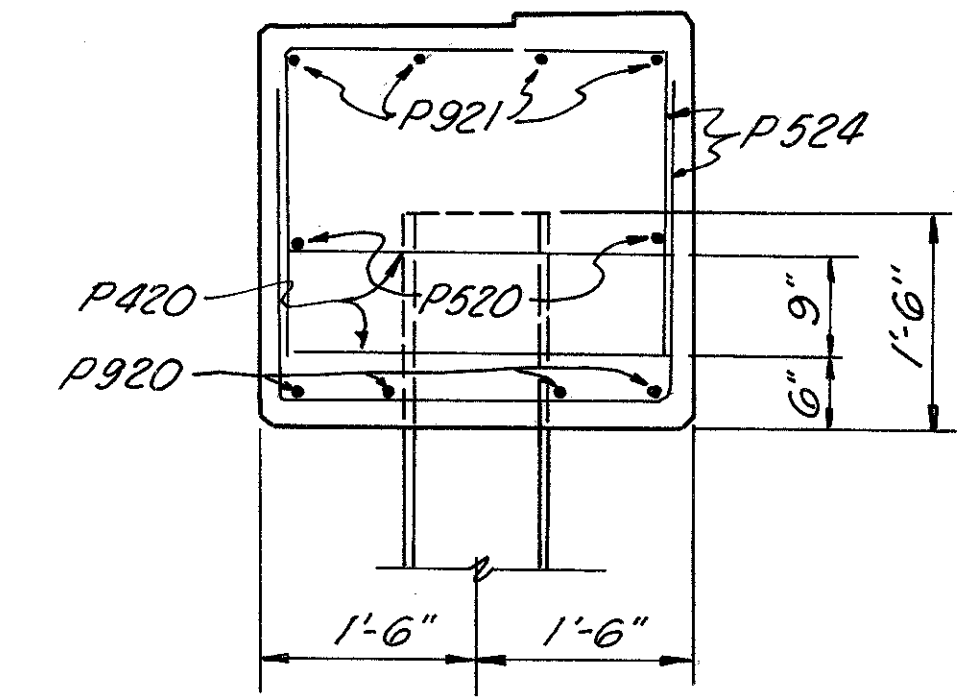
LAKE COUNTY  
LAK- 608-03.35



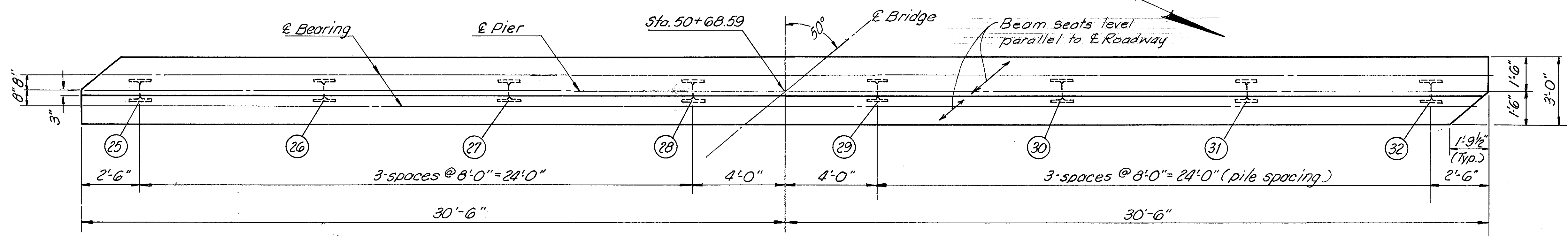
PLAN PIER NO. 1



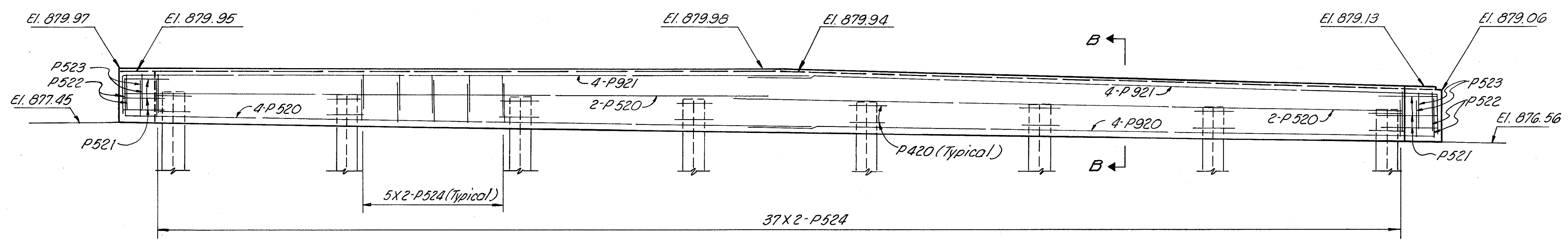
ELEVATION



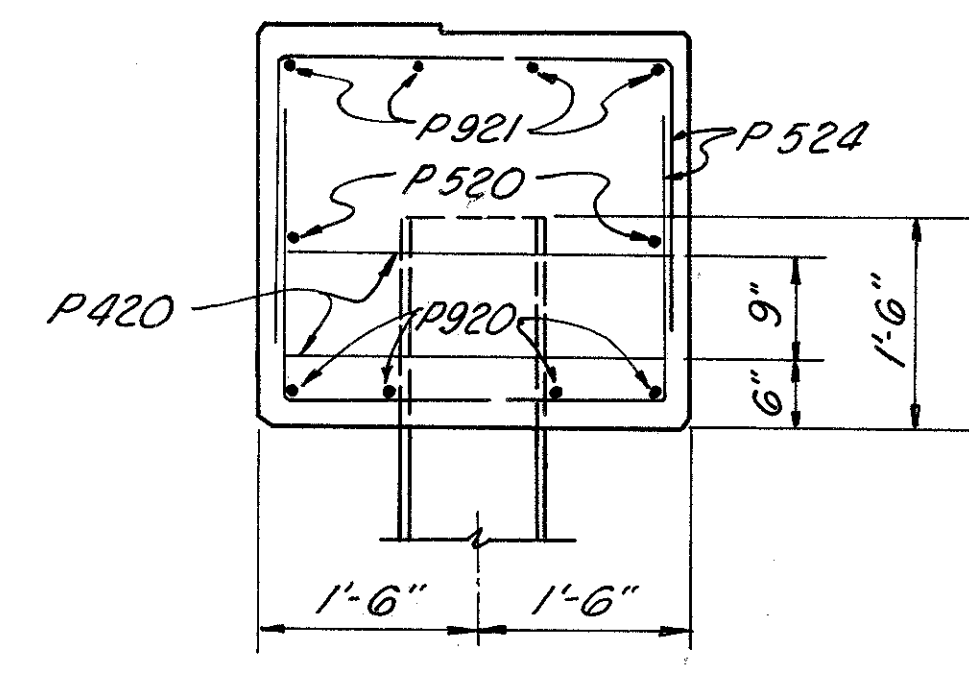
SECTION A-A



PLAN PIER NO. 4



ELEVATION



SECTION B-B

~NOTE~  
BRIDGE SEAT REINFORCING: Reinforcing steel in the vicinity of the bridge seat shall be accurately placed to avoid interference with the drilling of anchor bar holes.

PREBORED HOLES: Piles for Piers 1 and 4 shall be placed in holes prebored to Elev. 855.0. The void between the pile and the prebored material shall be filled with Class C concrete to Elev. 858.0, and per 507.12 above Elev. 858.0.

ERIKSSON ENGINEERING COLUMBUS OHIO	
PIER NO1 & NO 4	
BRIDGE NO LAK- 608-0337	
S.R. 608 OVER CHESSIE SYSTEM	
LAKE CO. STA. 48+94.09 to STA. 51+12.85	
Designed	Drawn
Checked	Reviewed
Date	Revised
V.K.	J.D.
C.E.	11/14/77