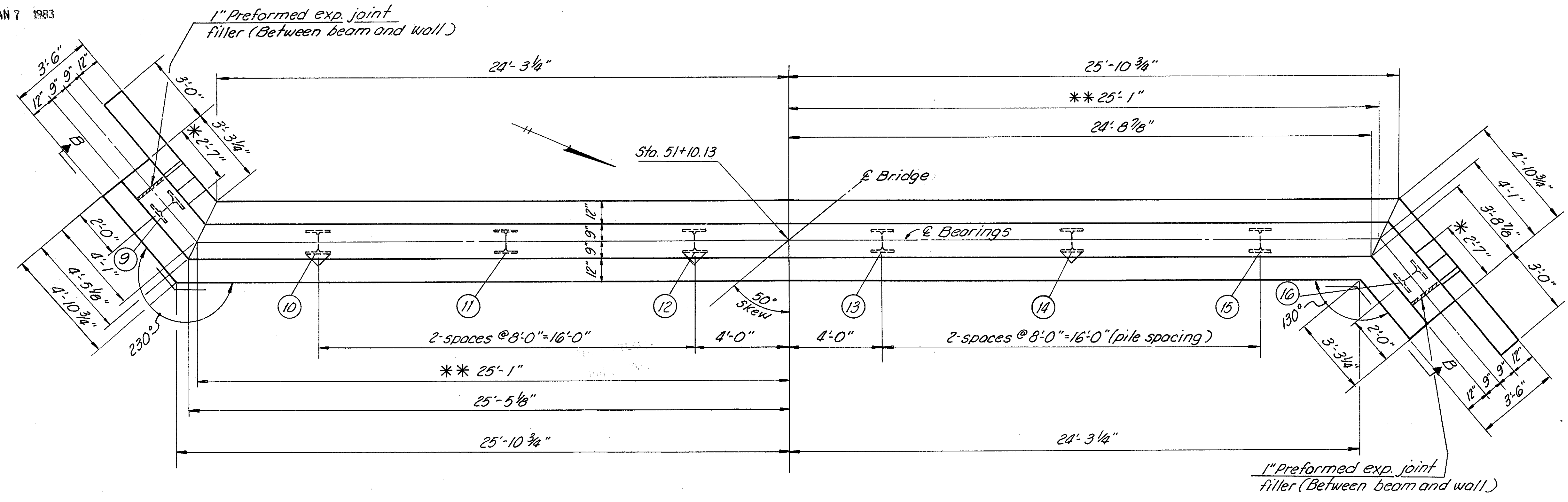


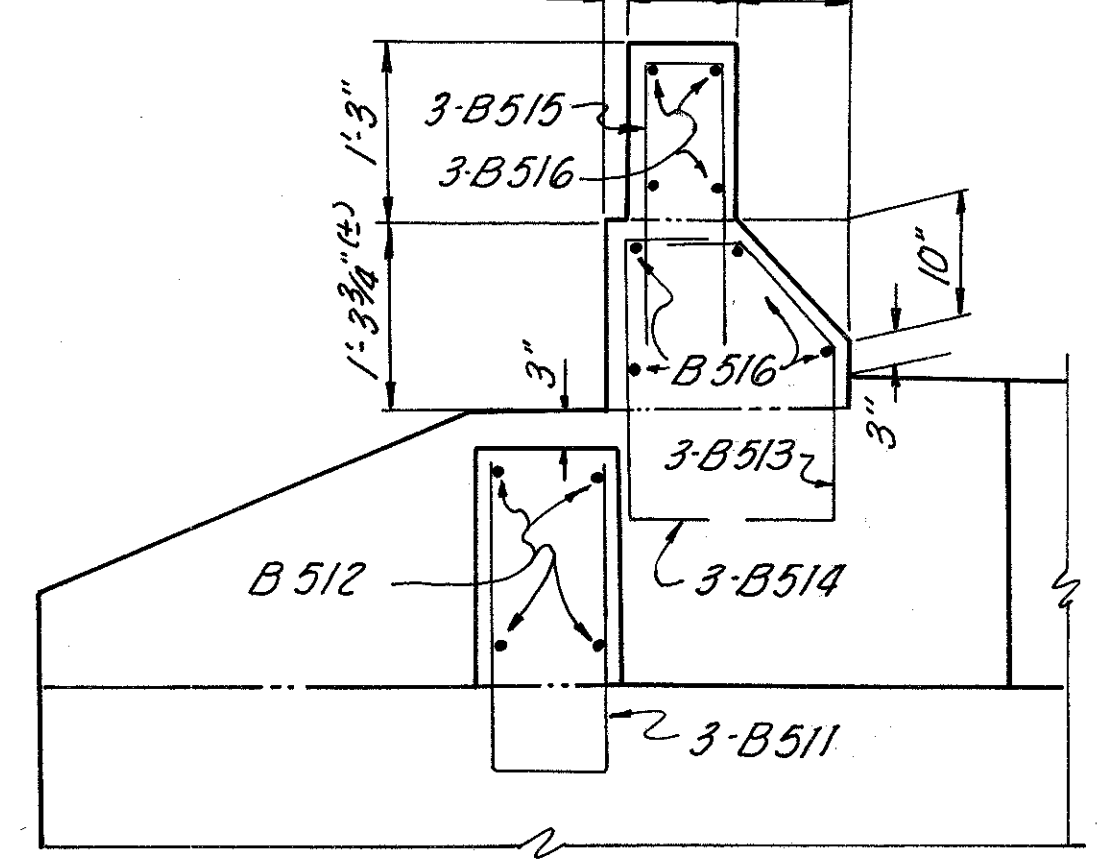
MICROFILMED
JAN 7 1983

FHWA REGION	STATE	PROJECT	19 32
5	OHIO		

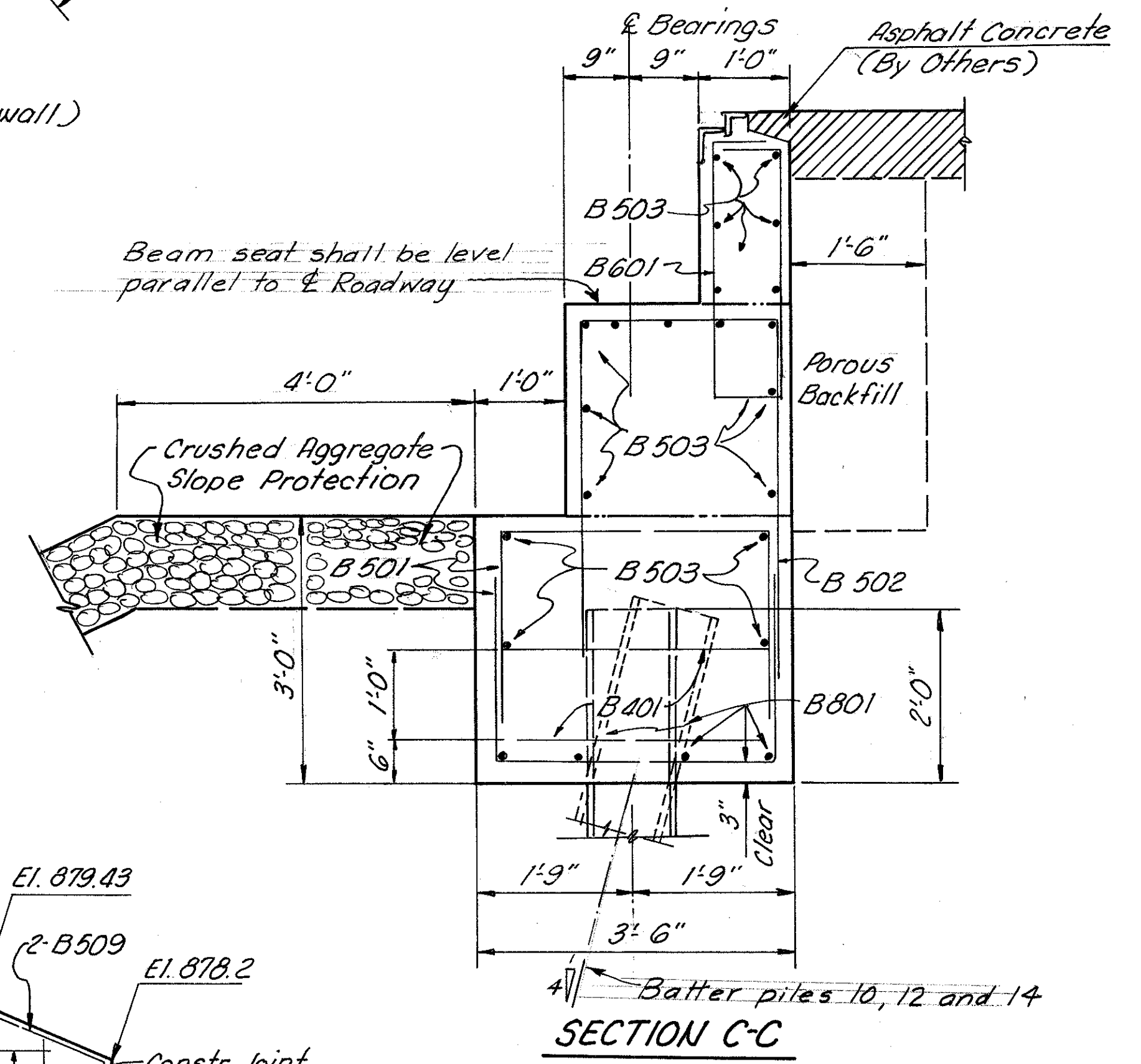
LAKE COUNTY
LAK- 608-03.35



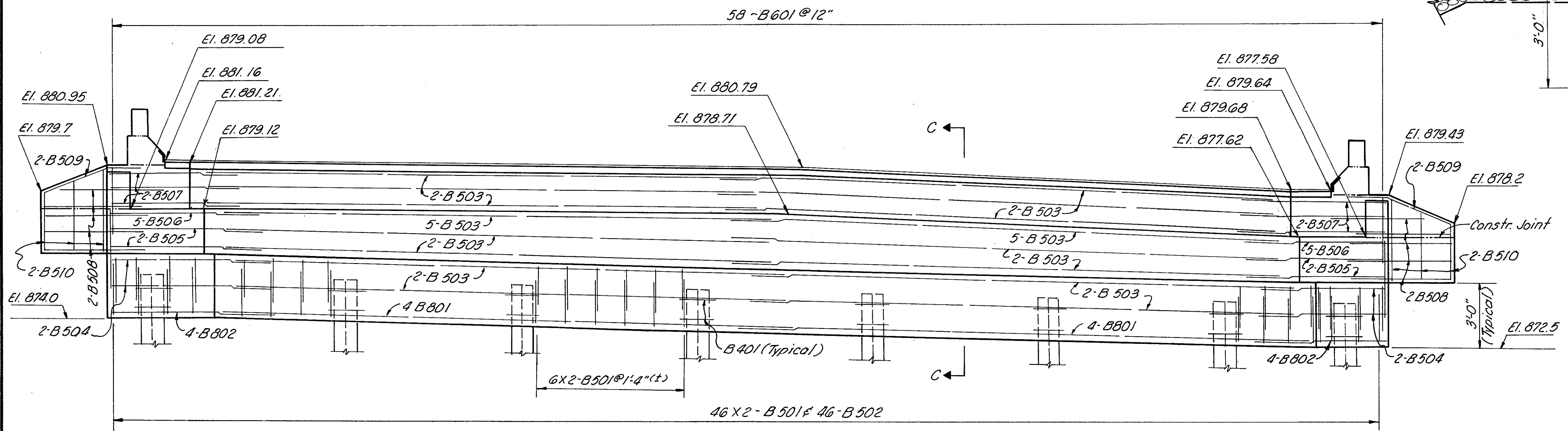
PLAN



DEFLECTOR PARAPET
DETAIL



SECTION C-C



VIEW B-B

For notes see sheet 3/11

ERIKSSON ENGINEERING COLUMBUS OHIO					
ABUTMENT NO 2					
BRIDGE NO LAK 608-0337					
S.R. 608 OVER CHESSIE SYSTEM					
STA. 48+94.09 to					
LAKE CO. STA. 51+12.85					
Designed	Drawn	Checked	Reviewed	Date	Revised
V.K.	J.D.	C.E.	<i>[Signature]</i>	11/14/77	

4/11