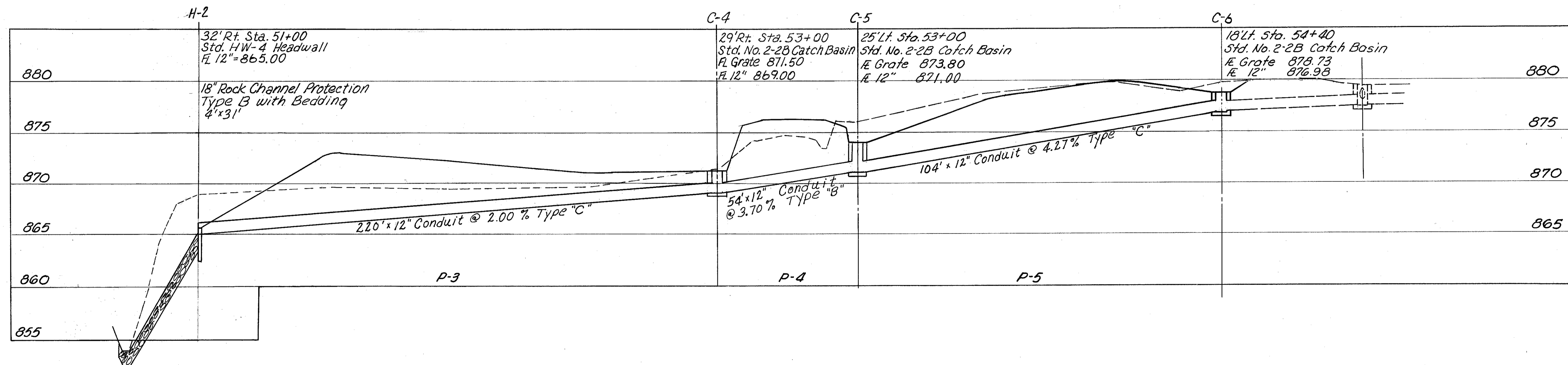
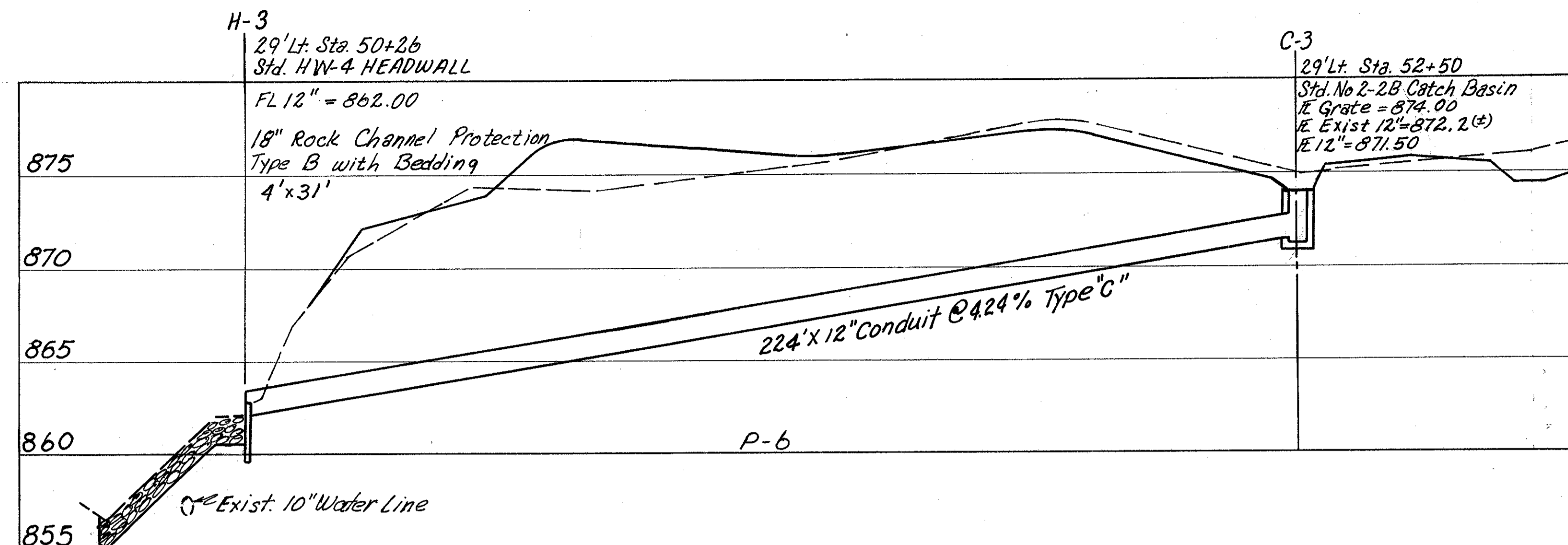
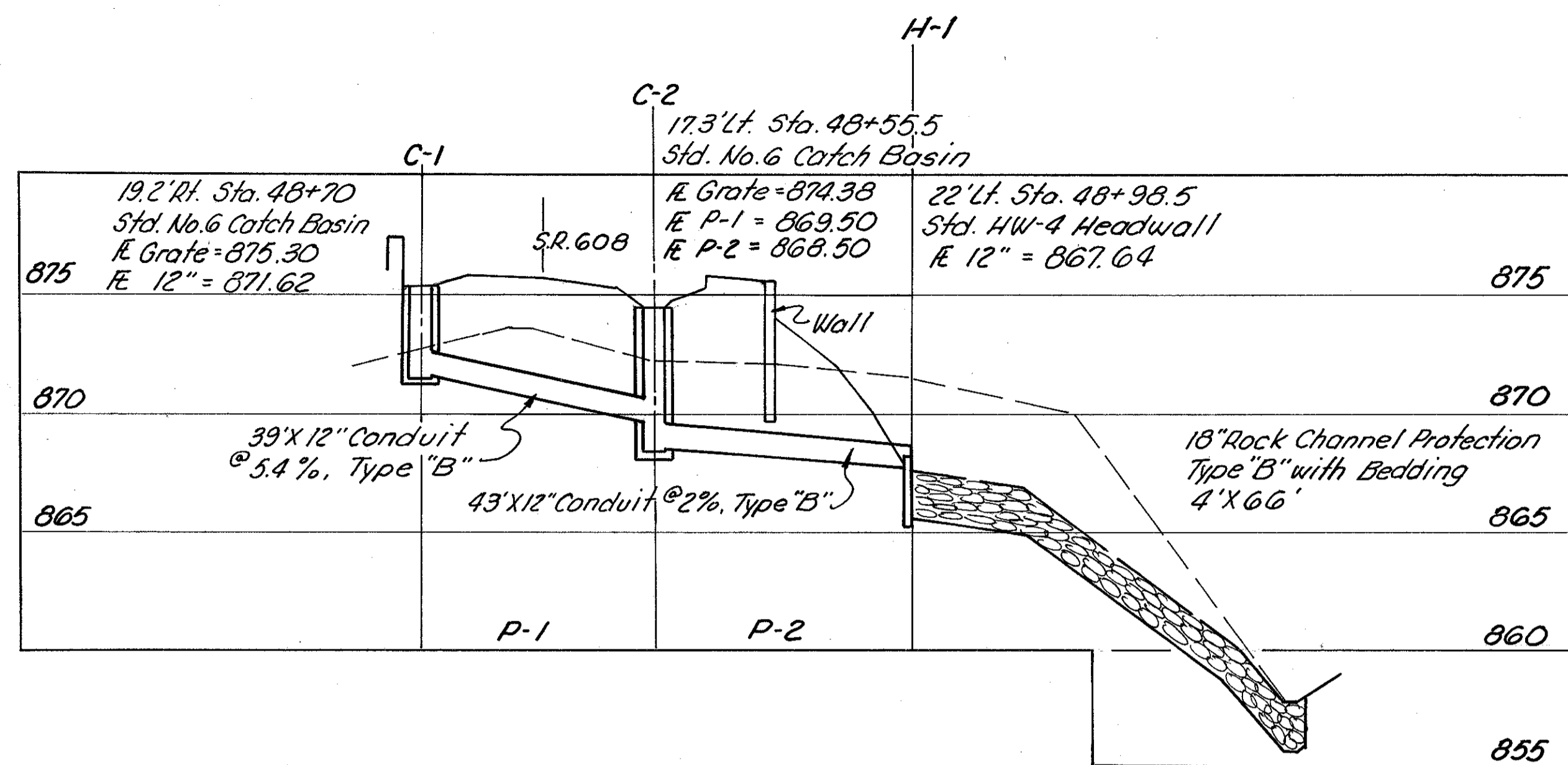


LAKE COUNTY
LAK- 608-03.35



QUANTITIES								
PIPE REFERENCE	STRUCTURES INCLUDED	602	604	603	601	604	603	SEE SHEET NO.
		Concrete Masonry	Catch Basin Std. No. 2-2-B	12" Conduit Type "C"	Rock Channel Protection Type "B" with Bedding	Catch Basin Std. No. @	12" Conduit Type "B"	
		Cu. Yd.	Each	Lin. Ft.	Cu. Yd.	Each	Lin. Ft.	
P-1	C-1					1	39	
P-2	C-2, H-1	0.20			20	1	43	
P-3	H-2, C-4	0.20	1	220	10			
P-4	C-5		1				54	
P-5	C-6		1	140				
P-6	H-3, C-3	0.20	1	224	10			
TOTALS		0.60	4	584	40	2	136	

CALC WBY 10-18-77
CKD JL 11-9-77