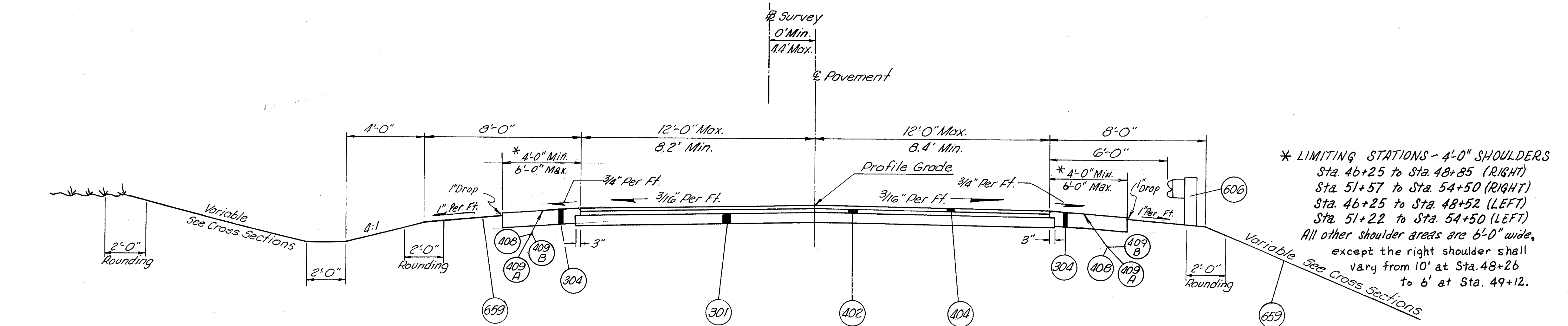
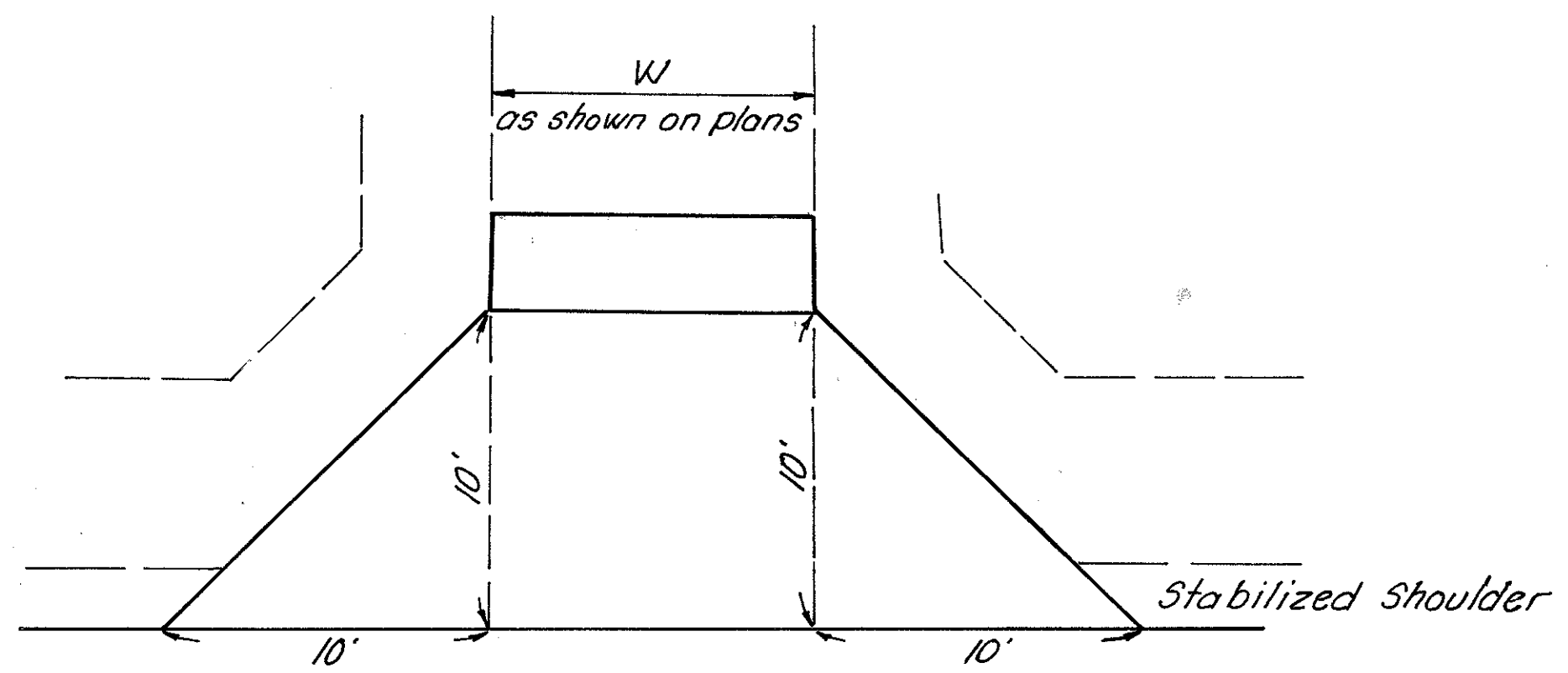


TYPICAL SECTION

TYPE 404 ON 301

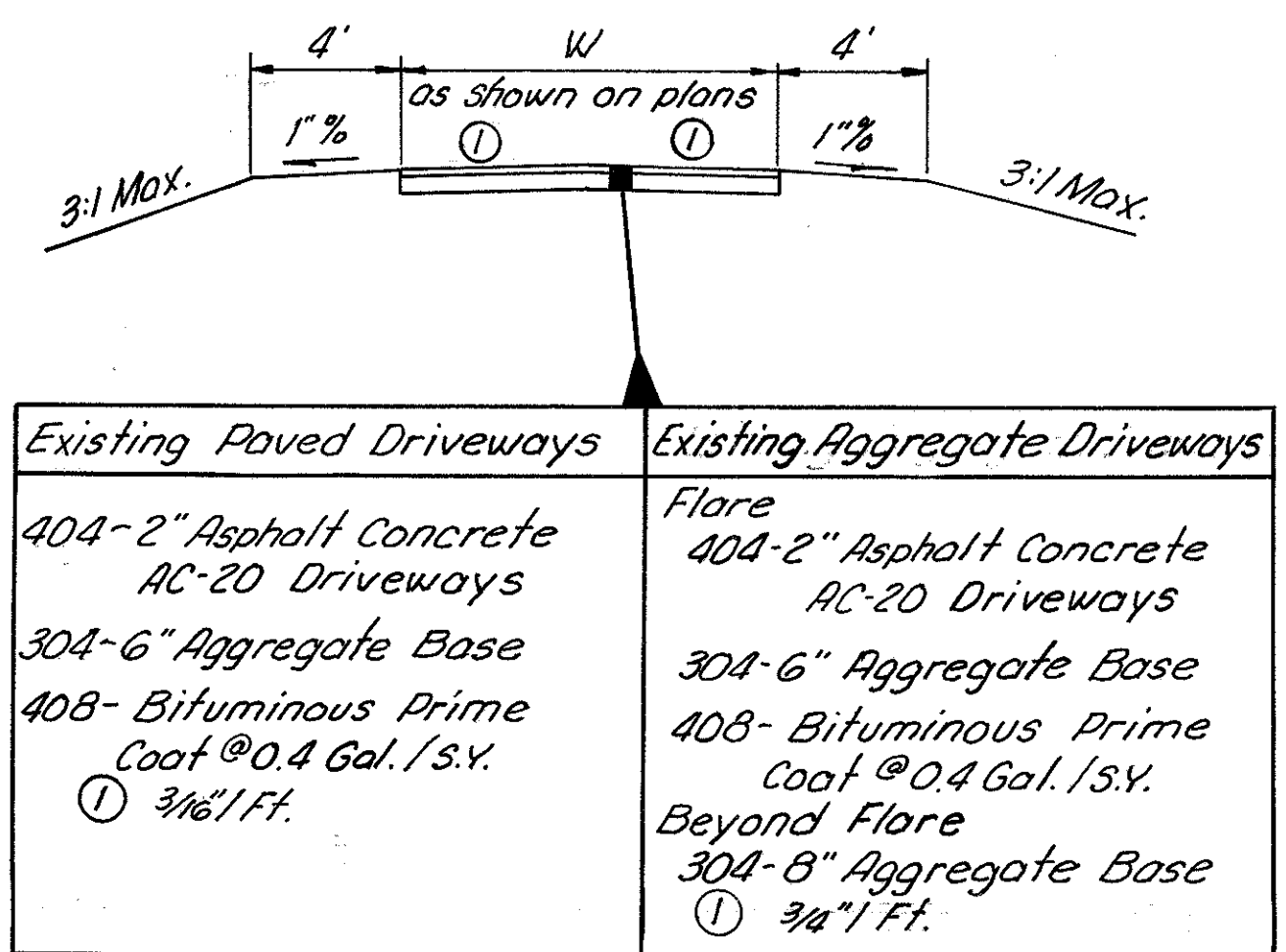


* LIMITING STATIONS - 4'-0" SHOULDERS
 Sta. 46+25 to Sta. 48+85 (RIGHT)
 Sta. 51+57 to Sta. 54+50 (RIGHT)
 Sta. 46+25 to Sta. 48+52 (LEFT)
 Sta. 51+22 to Sta. 54+50 (LEFT)
 All other shoulder areas are 6'-0" wide, except the right shoulder shall vary from 10' at Sta. 48+26 to 6' at Sta. 49+12.



~ LIMITING STATIONS ~

Sta. 46+50 to Sta. 48+94.09 = 244.09
 Sta. 48+94.09 to Sta. 51+12.85 = Bridge
 Sta. 51+12.85 to Sta. 54+25 = 312.15
 556.24 Lin. Ft.



Existing Paved Driveways	Existing Aggregate Driveways
404-2" Asphalt Concrete AC-20 Driveways	Flare 404-2" Asphalt Concrete AC-20 Driveways
304-6" Aggregate Base	304-6" Aggregate Base
408- Bituminous Prime Coat @ 0.4 Gal./sq. yd. ① 3/16" / Ft.	408- Bituminous Prime Coat @ 0.4 Gal./sq. yd. Beyond Flare 304-8" Aggregate Base ① 3/4" / Ft.

~ TYPICAL DRIVEWAY SECTION ~

~ ITEM ~ ~ DESCRIPTION ~

- ④04 1/4" Asphalt Concrete AC-20
- ④02 3/4" Asphalt Concrete AC-20
- ③01 6" Bituminous Aggregate Base 702.01, AC-20 or 702.09, RT-11 or RT-12
- ③04 8" Aggregate Base
- ④08 Bituminous Prime Coat 702.02 (MC-30 or MC-70), 702.03 (Primer 20); or 702.09, (RT-2 or RT-3) Applied At The Rate of 0.4 Gal. per Sq. Yd.
- ④09 A Seal Coat Bituminous Material 702.02 (MC-800 or MC-3000); 702.03 (CBAE-800); 702.04, (RS-1, RS-2, CRS-1 or CRS-2), or 702.09 (RT-9 or RT-10) Applied At The Rate of 0.3 Gal. per Sq. Yd.
- ④09 B Seal Coat Cover Aggregate, No. B Applied At The Rate of 0.008 Cu. Yds. per Sq. Yd.
- ⑥06 Guard Rail Type 5
- ⑥59 Seeding and Mulching