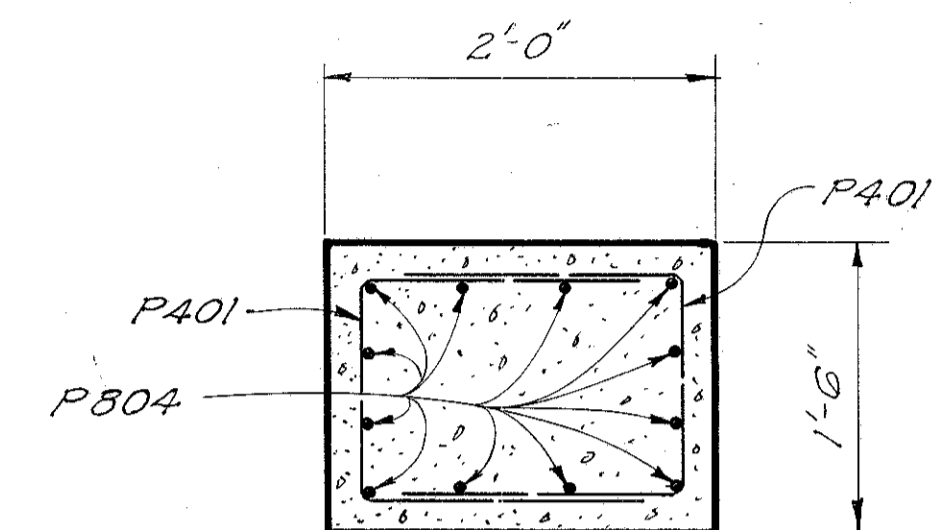
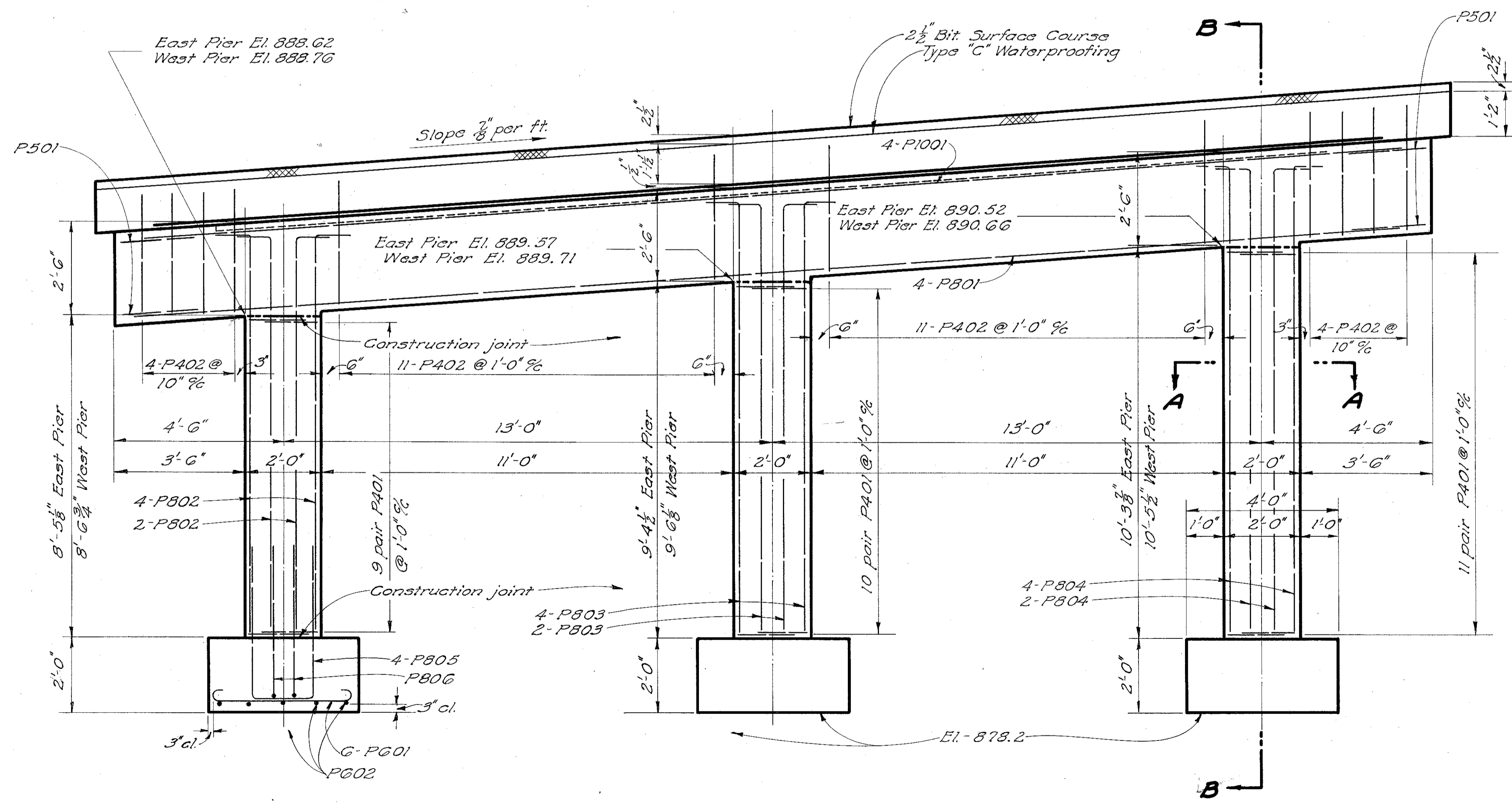


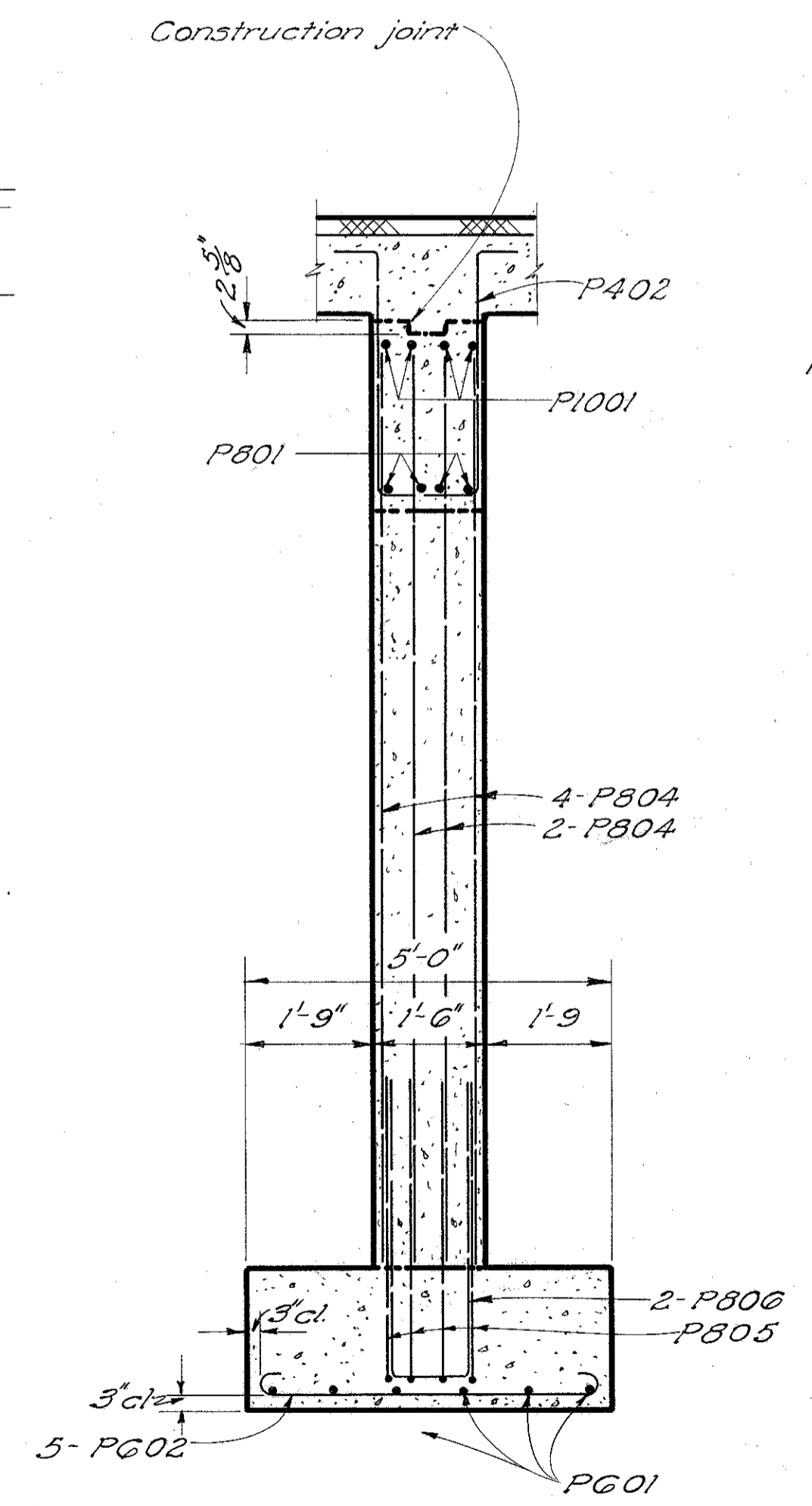
PLAN



SECTION A-A



ELEVATION



SECTION B-B

NOTE: Clearance from face of concrete to reinforcing steel shall be 2" unless otherwise shown.

STATE OF OHIO
DEPARTMENT OF HIGHWAYS
DIVISION OF DESIGN AND CONSTRUCTION
BUREAU OF BRIDGES

PIER DETAILS
BRIDGE NO. LA-608-08
OVER BIG CREEK

LAKE COUNTY STA. 21+56.95
SEC. LAK-608-0.60 STA. 22+56.05

DESIGNED	DRAWN	TRACED	CHECKED	REVIEWED	DATE	REVISED
JEM	JEM	JDJ	RG	BFG	12-21-54	