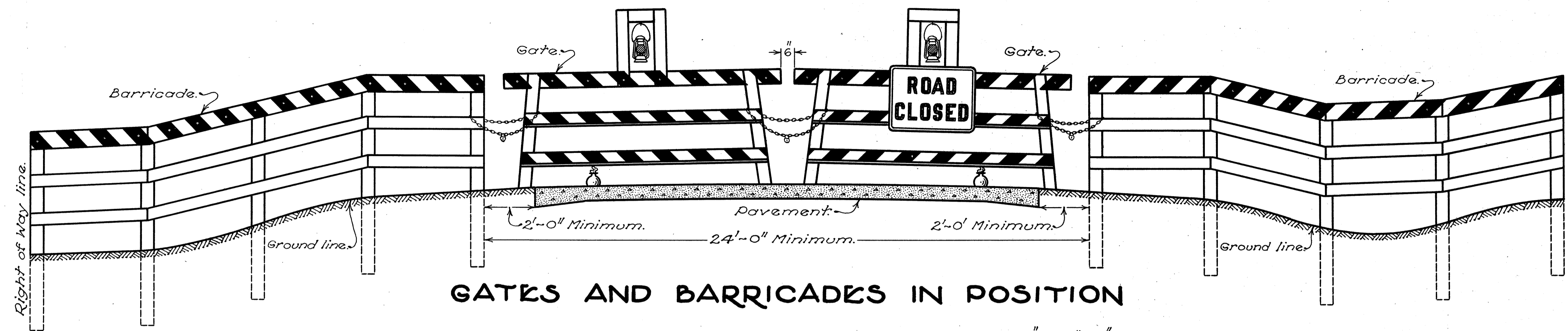


STANDARD BARRICADES AND GATES



GATES AND BARRICADES IN POSITION

NOTES

LUMBER used in the construction of the gates and barricades shall be No. 1 common yellow pine or No. 1 common Douglas Fir, surfaced on four sides standard, in accordance with the requirements of Sec. 11-8.1 of the General Specifications.

GATES—The movable gates shall be constructed according to the details shown and shall be painted with alternate 6" black and white stripes on a 45° angle. One gate shall be erected for each traffic lane. The gates shall be well spiked, using spikes long enough to clinch.

BARRICADES shall be constructed according to the details shown. The top rail shall be painted on both sides with alternate 6" black and white stripes on a 45° angle sloping towards the roadway. The two lower rails and posts shall be painted white on both sides.

The barricades shall have an opening of a minimum width of 24 feet. For pavement widths greater than 20 feet, the minimum widths of the barricade openings shall be the pavement width plus 4 feet. The barricades shall remain in place following the re-opening of the road if better or other work is not completed.

POSTS shall be 6"x6" sawed to comply with Sec. 11-8.6 or round posts 6" minimum to 8" maximum top diameter and 7" minimum to 10" maximum bottom diameter and otherwise comply with Sec. 11-8.5 of the General Specifications.

RAILS of the barricade shall be bolted to the posts with 3/8" bolts.

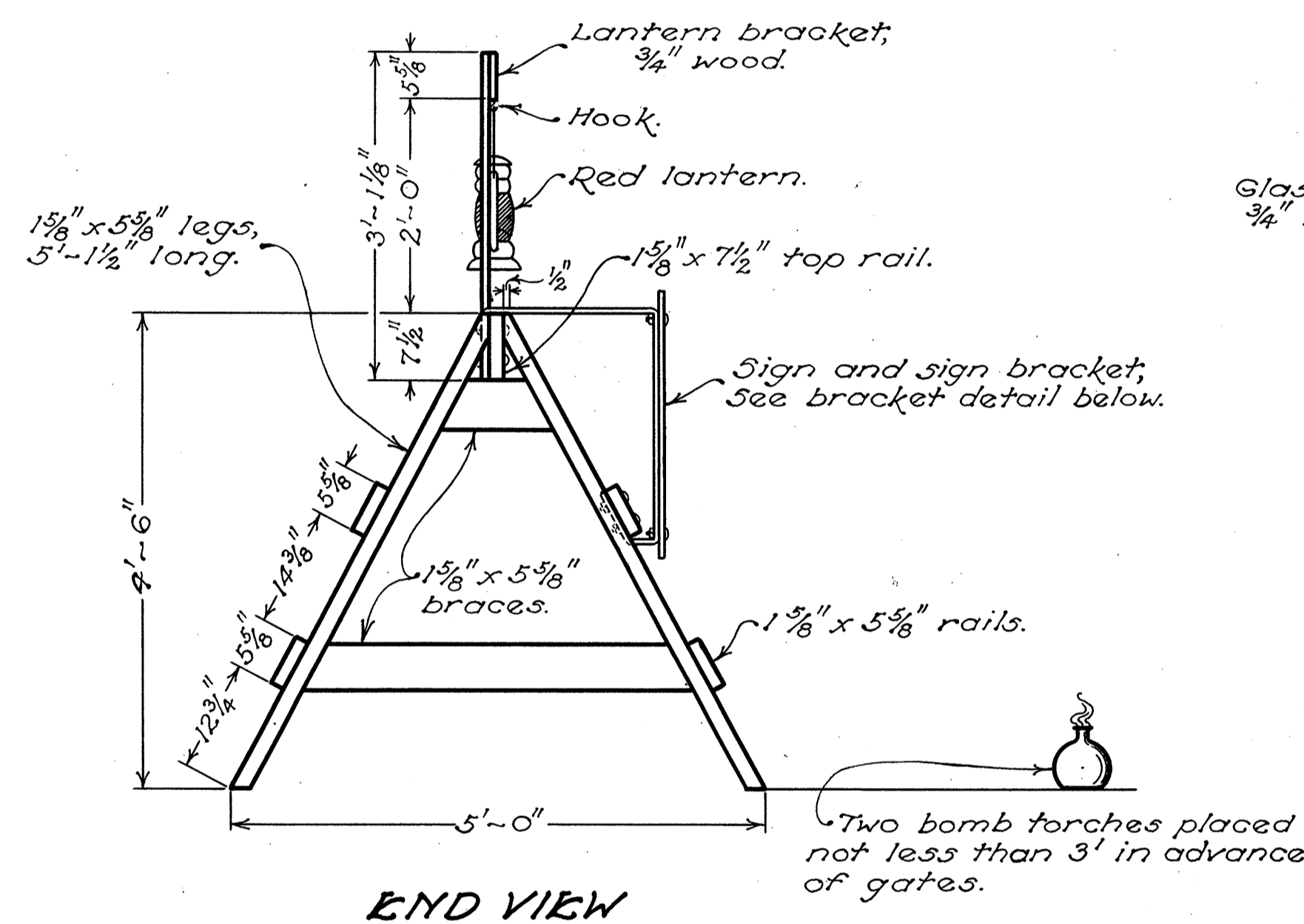
CHAINS—Gates shall be chained and padlocked to one another and to adjacent posts of the barricades. Chains shall be of 3/8" stock with welded links.

REFLECTORS—The top rail of the barricades and movable gates shall be reflectorized with red reflector buttons 3/4" minimum diameter, placed in the black stripes. When traffic is maintained, the top rails of the barricades shall be reflectorized on both sides. To install the buttons, drill holes into the top rail slightly less in diameter than that of the reflector housing. The button may be driven into the rail by placing a pipe over the reflector in such a manner that it will rest on the housing.

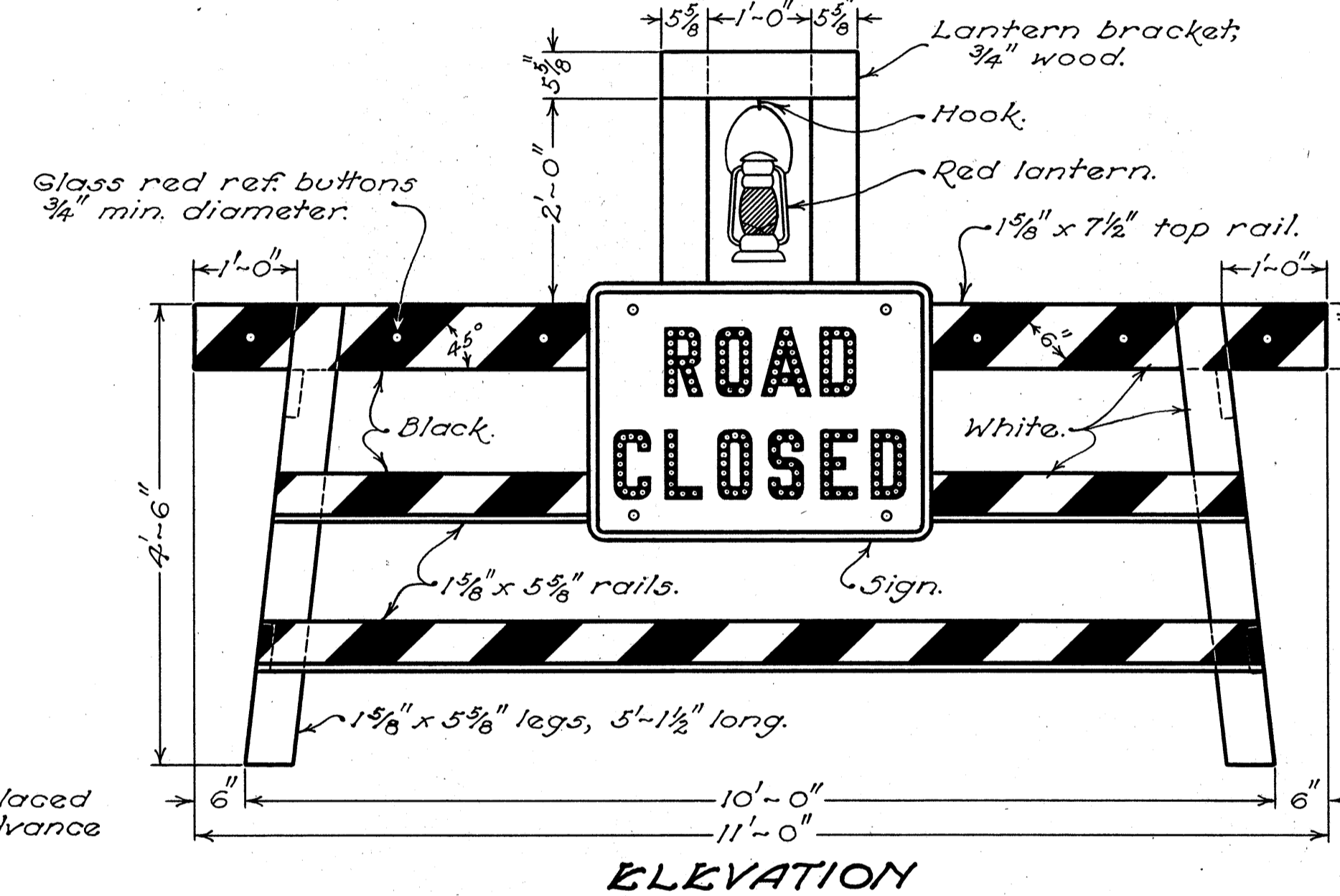
When traffic is maintained through the construction section, three glass crystal buttons 3/4" in diameter shall be mounted as shown on each side of the two posts adjacent to the traveled roadway.

SIGNS—Upon the erection of the gates and barricades according to the above standards, the Division Traffic Engineer shall furnish ROAD CLOSED sign, size 40"x30", which shall be mounted on the gate as shown. When three gates are used for closing 3-lane roads, the sign shall be mounted on the middle gate facing traffic approaching the closed section.

Where traffic is maintained a ROAD CONSTRUCTION TRAFFIC MAINTAINED sign, size 40"x24", will be furnished for mounting on the barricade at the right-hand side of the roadway adjacent to the roadway facing traffic approaching the construction section. An END OF CONSTRUCTION sign, size 40"x20", shall be mounted on the back of the barricade at the right-hand side of the road facing traffic leaving the construction section.

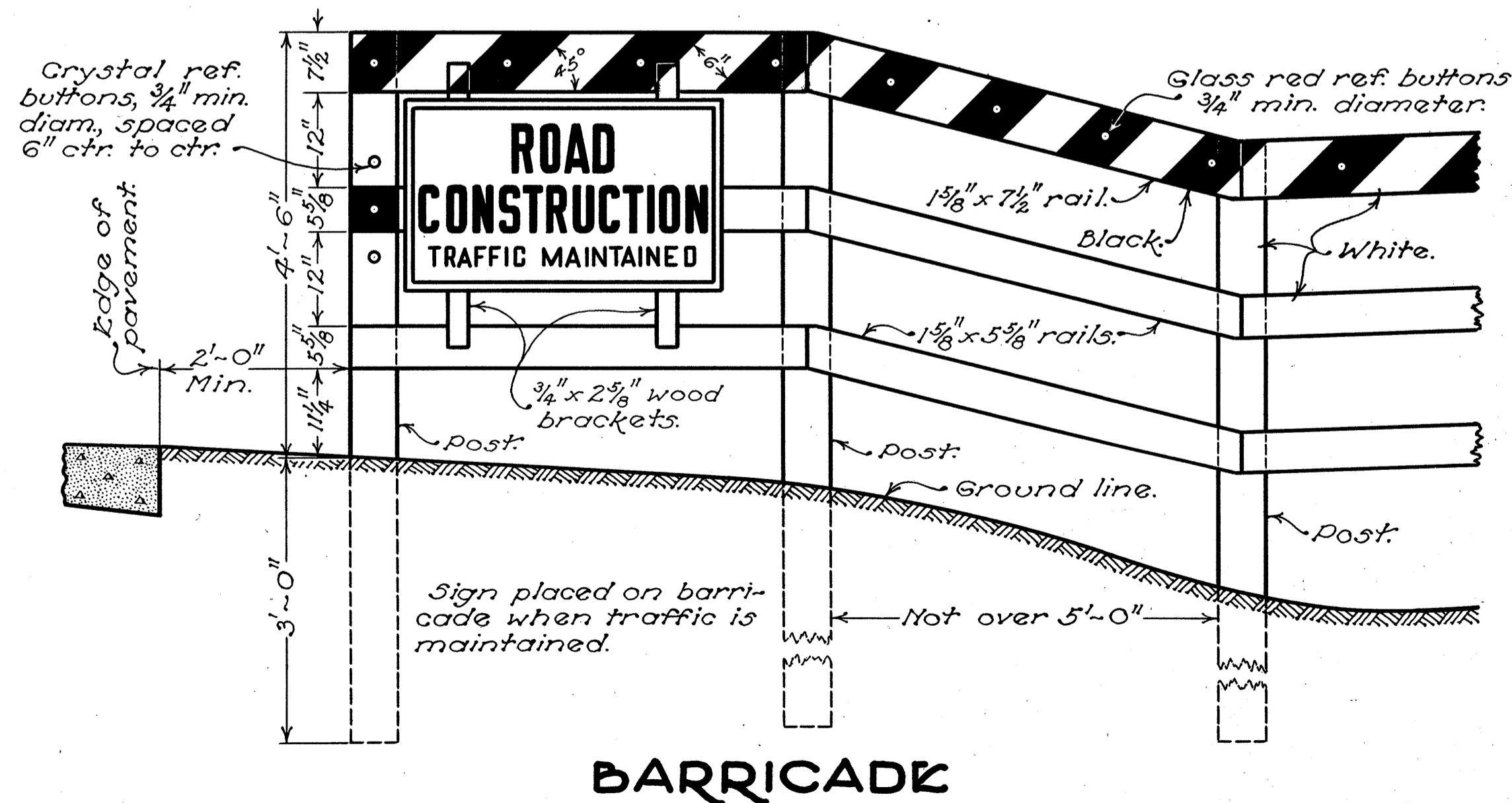


END VIEW

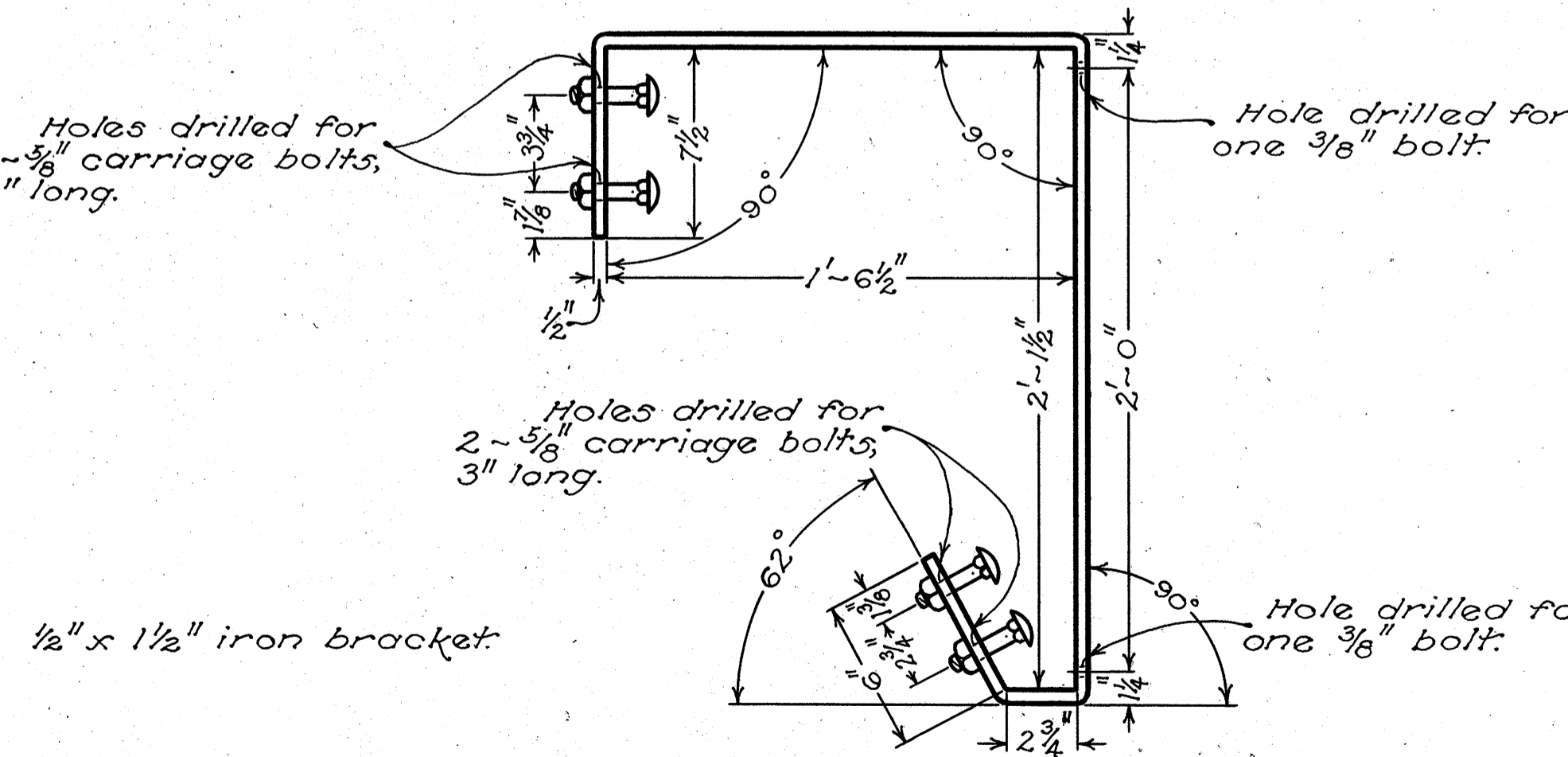


GATE

ELEVATION



BARRICADE



SIGN BRACKET

BUREAU OF LOCATION & RIGHT OF WAY OHIO DEPARTMENT OF HIGHWAYS	
BARRICADES AND GATES	DATE 10-1933 6-1-42
	STANDARD CONSTRUCTION DRAWING
G-7.07	
APPROVED <i>M.D.S.</i> CHIEF ENGINEER	