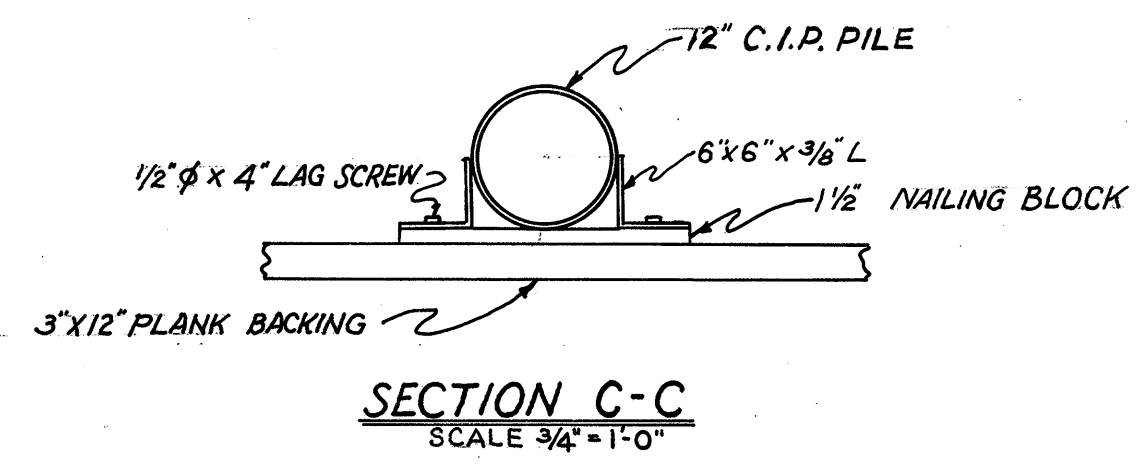
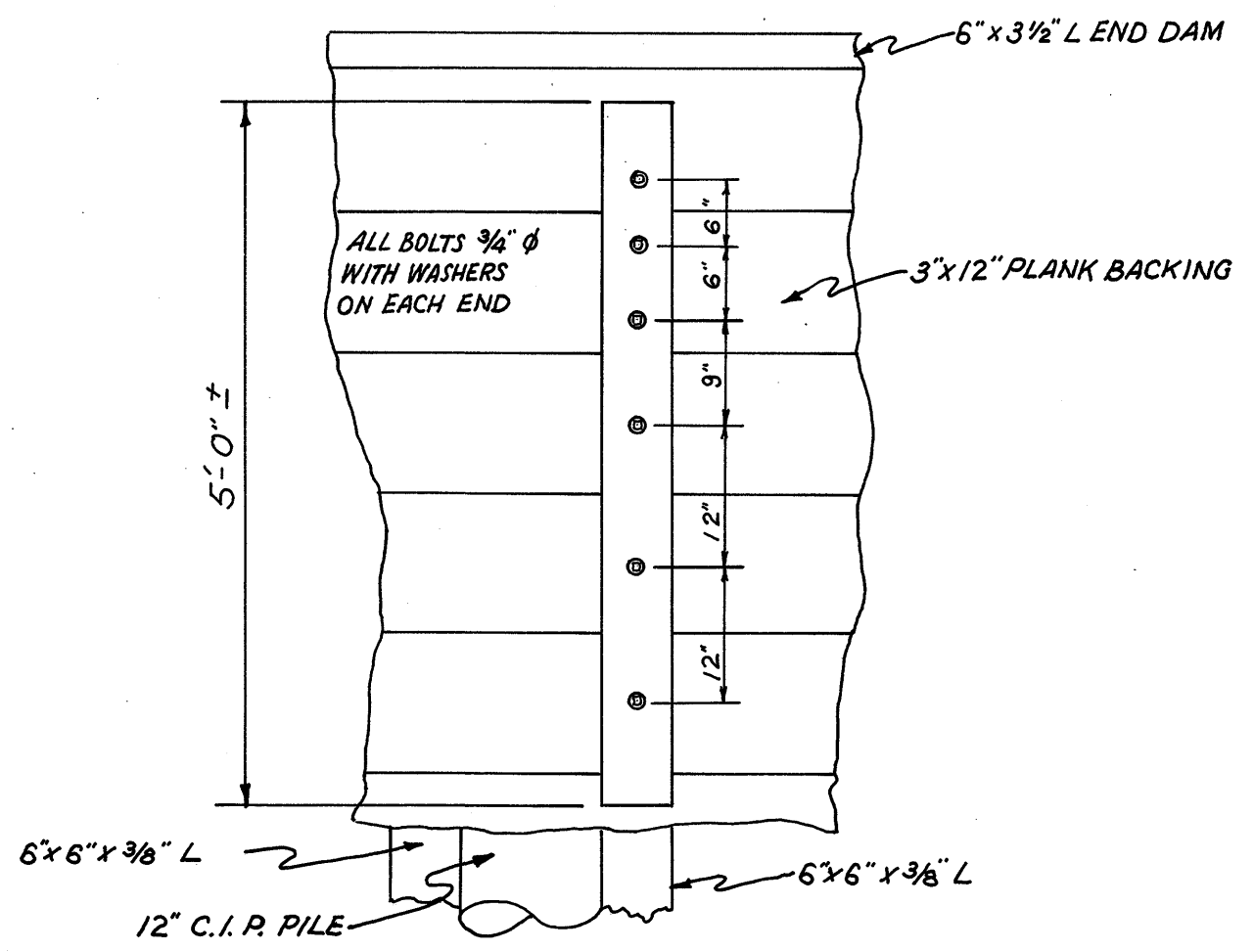


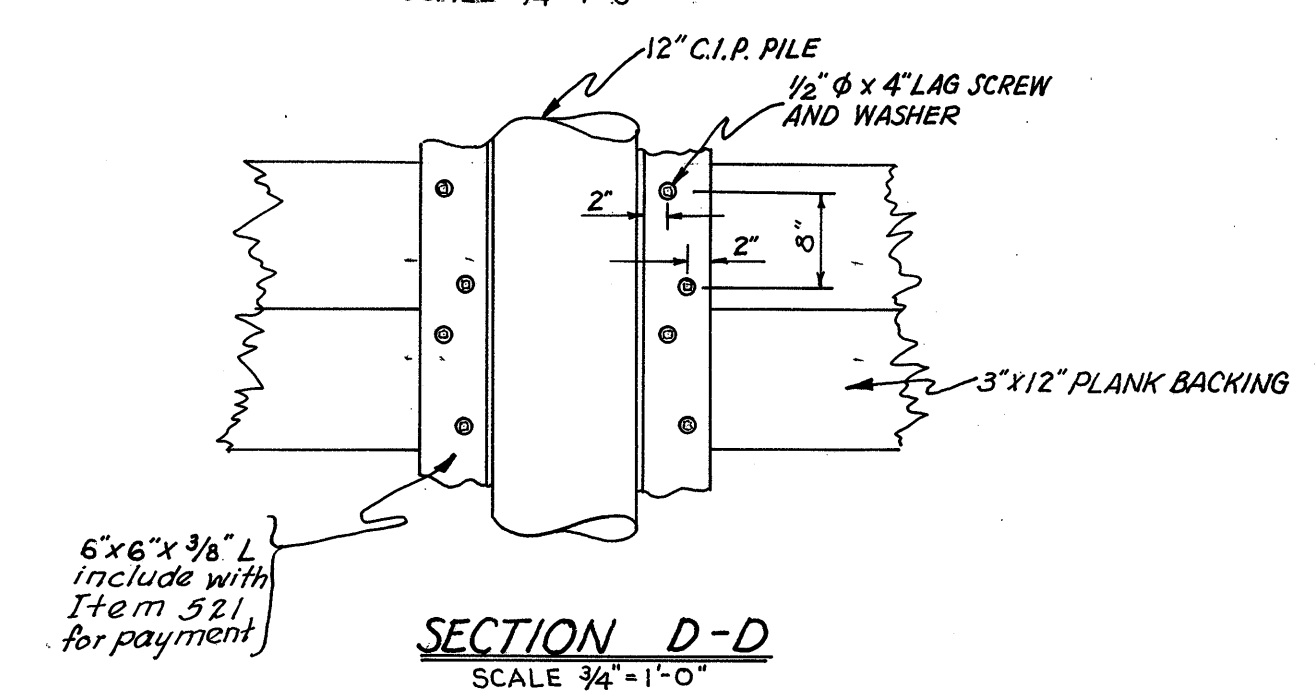
DETAIL "F"
BACKWALL ASSEMBLY
SCALE 3/4" = 1'-0"



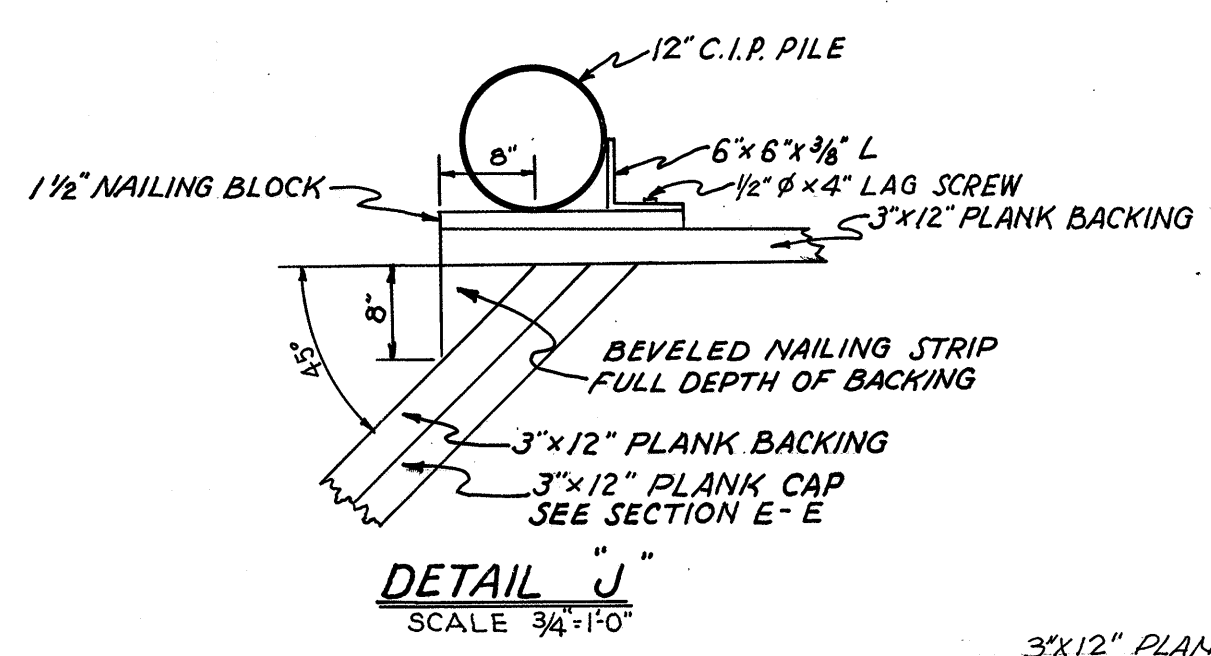
SECTION C-C
SCALE 3/4" = 1'-0"



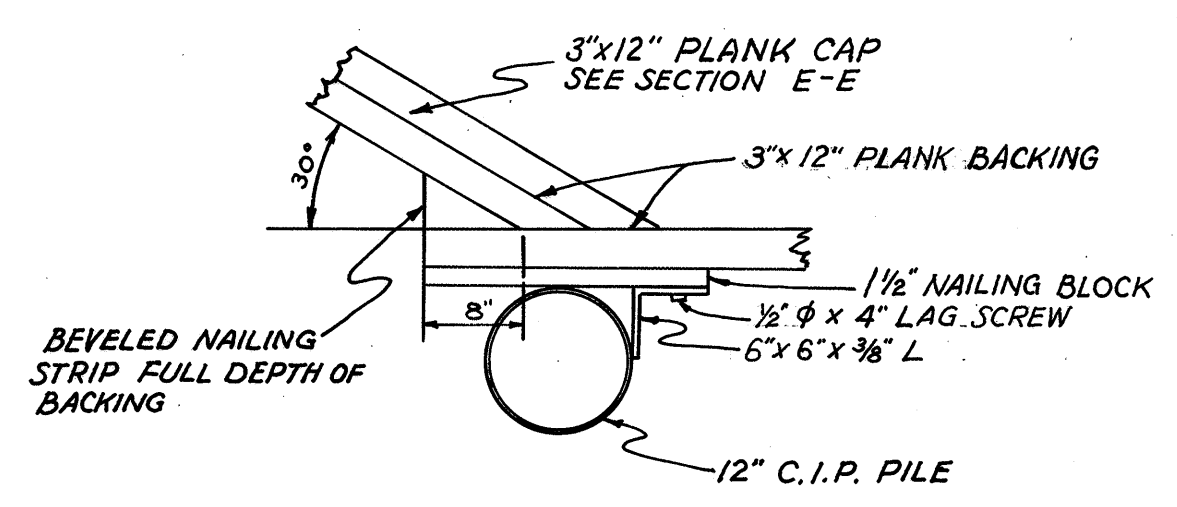
DETAIL "G"
LAG STRIP ASSEMBLY
SCALE 3/4" = 1'-0"



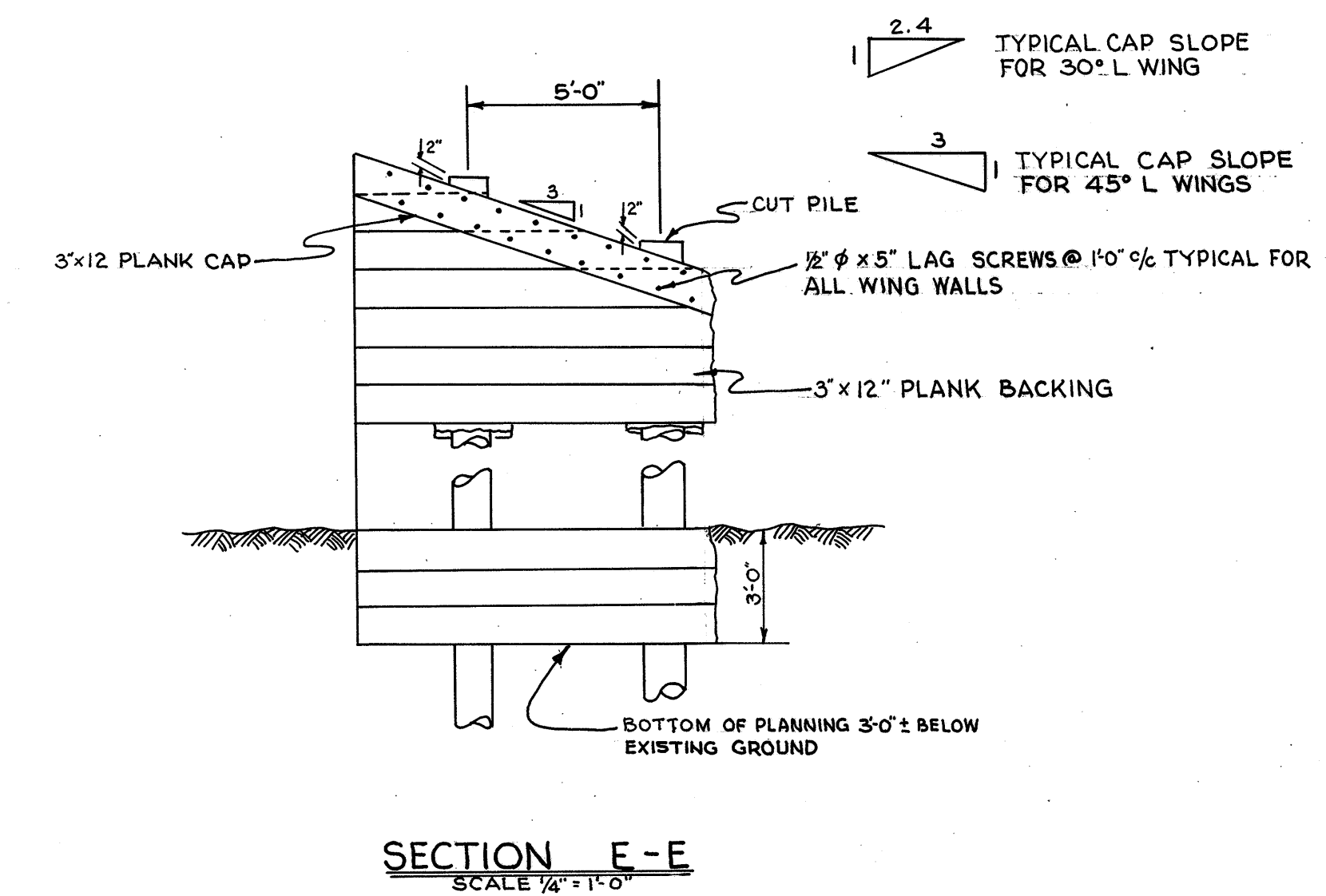
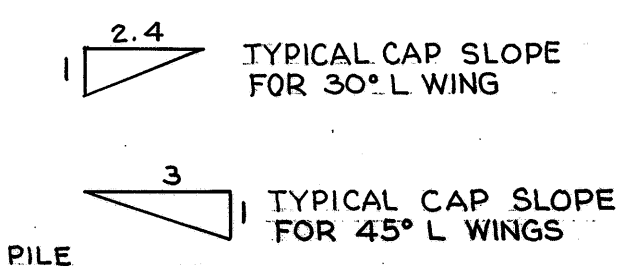
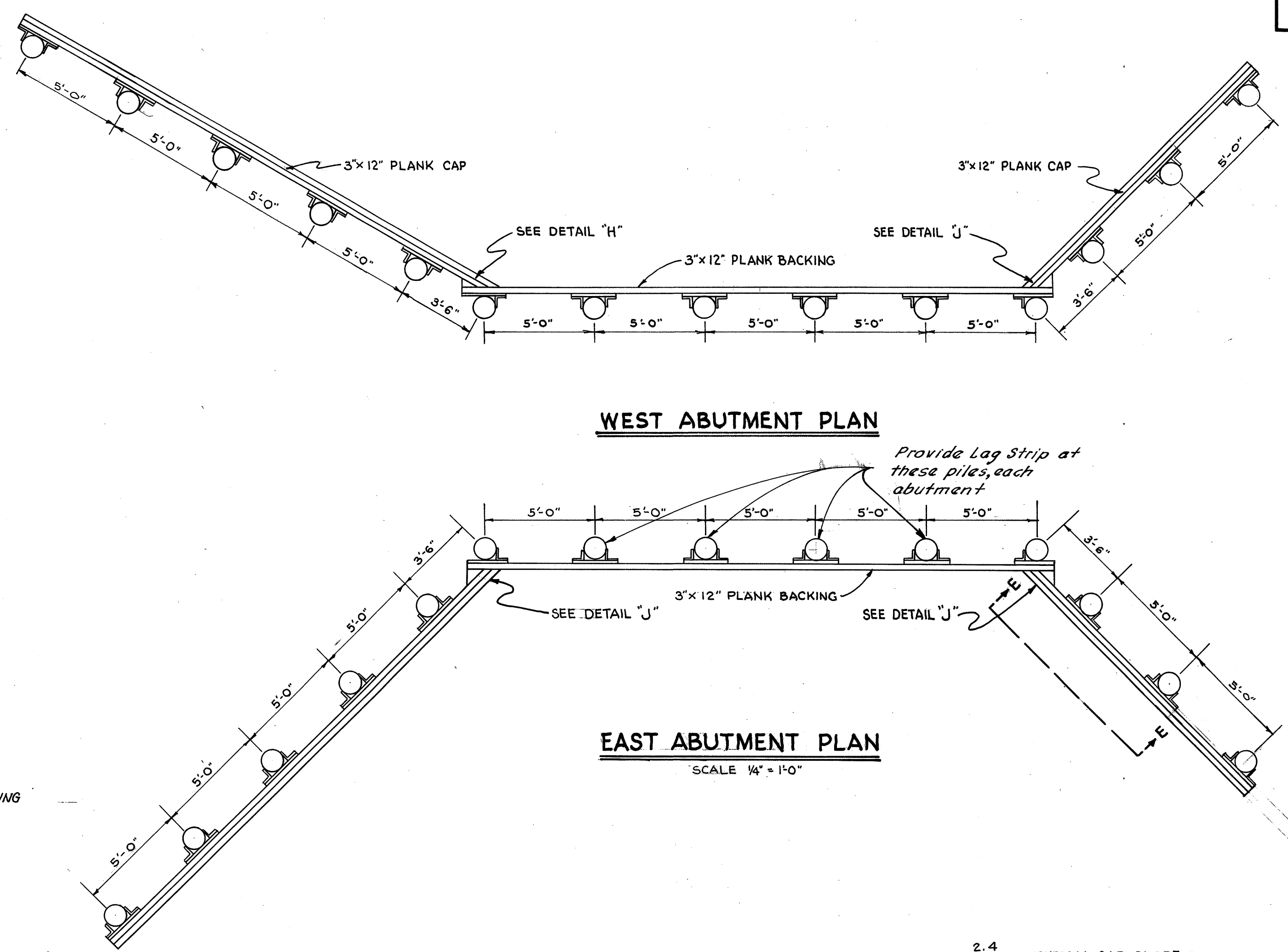
SECTION D-D
SCALE 3/4" = 1'-0"



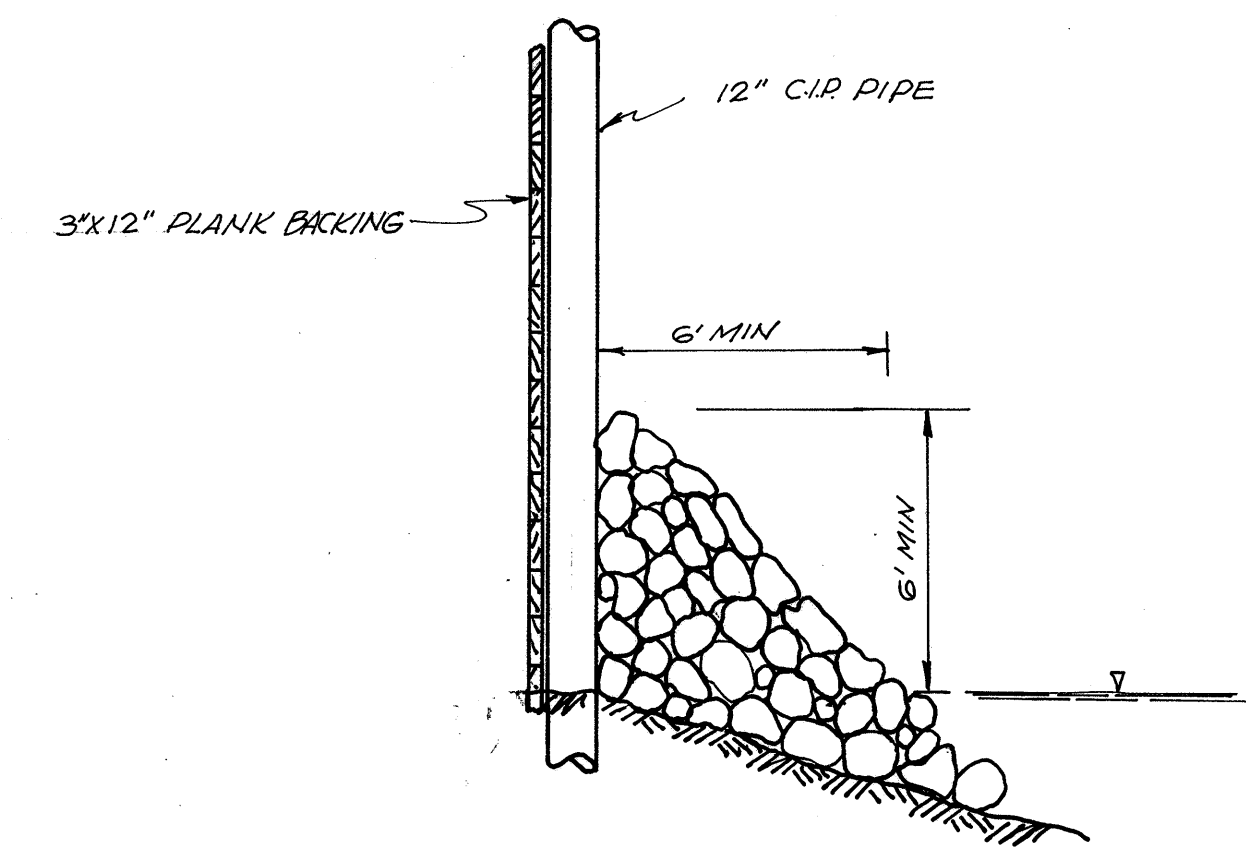
DETAIL "J"
SCALE 3/4" = 1'-0"



DETAIL "H"
SCALE 3/4" = 1'-0"



SECTION E-E
SCALE 1/4" = 1'-0"



DUMPED ROCK FILL
TYPE A
SCALE 1/4" = 1'-0"