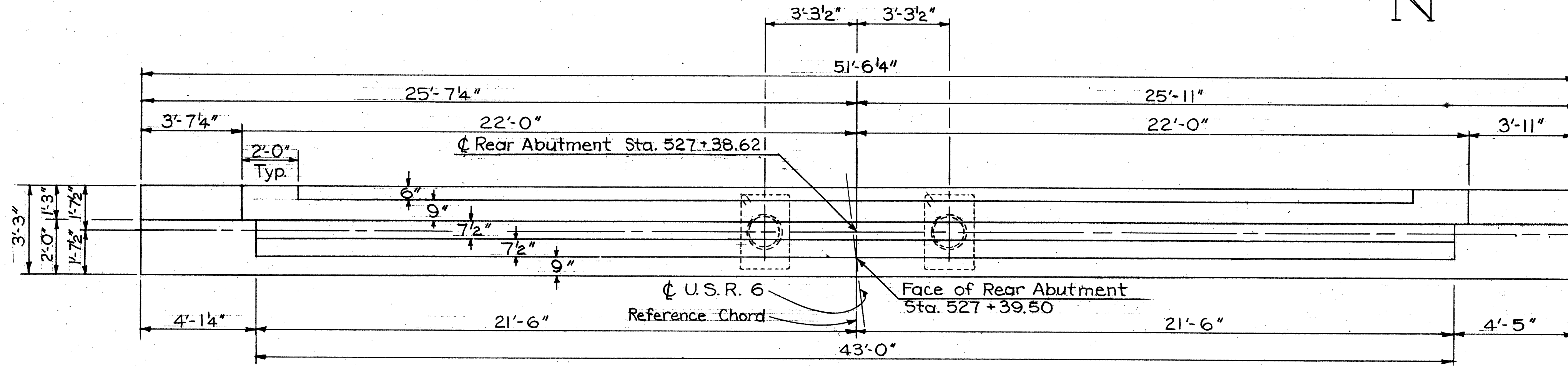
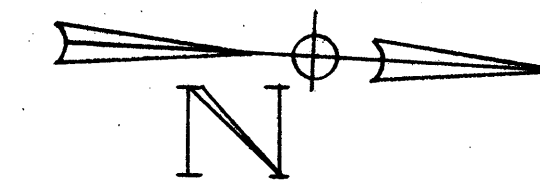
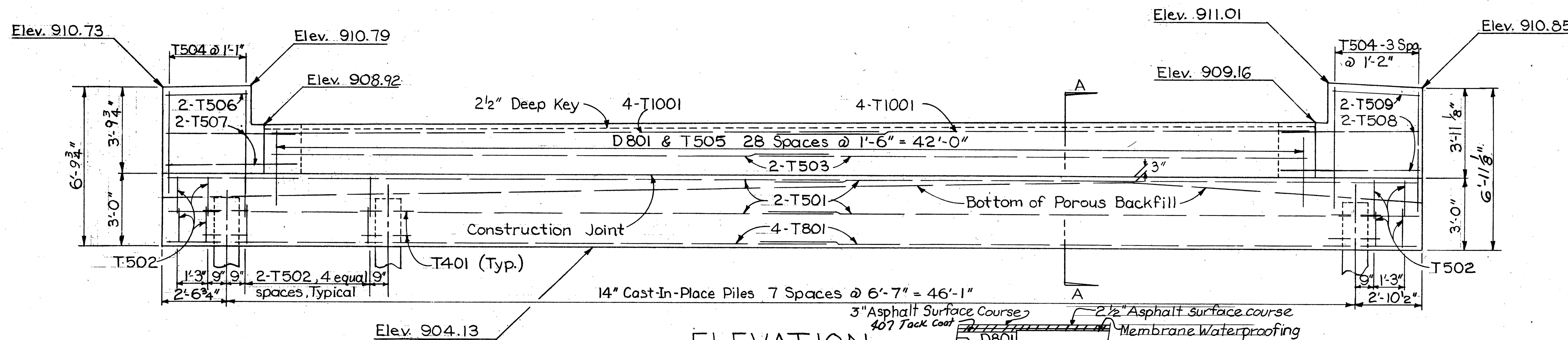


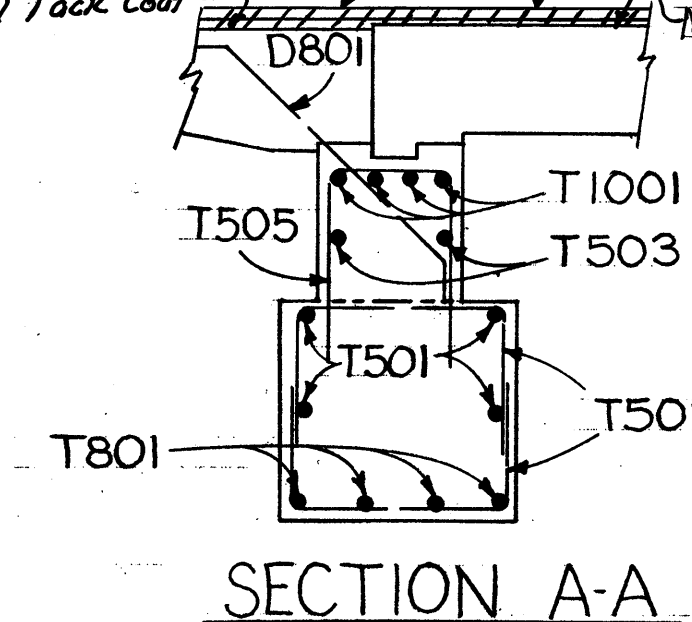
LAK-6-9.84



ABUTMENT PLAN



ELEVATION



SECTION A-A

STATE OF OHIO DEPARTMENT OF HIGHWAYS DIVISION OF DESIGN AND CONSTRUCTION BUREAU OF BRIDGES						4/6
REAR ABUTMENT PLAN & ELEVATION						
Br. No. LAK-6-0990 Over E. Br. Chagrin River						
DESIGNED	DRAWN	TRACED	CHECKED	REVIEWED	DATE	REVISED
AGD	AGD		J.D.R.	BFG	8-25-72	