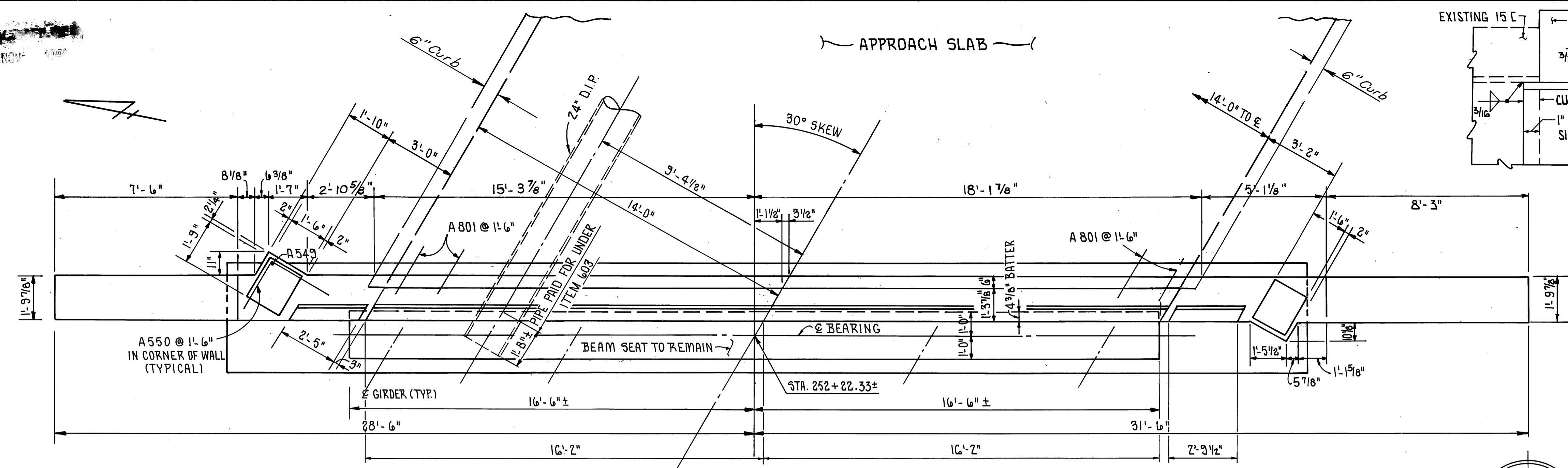


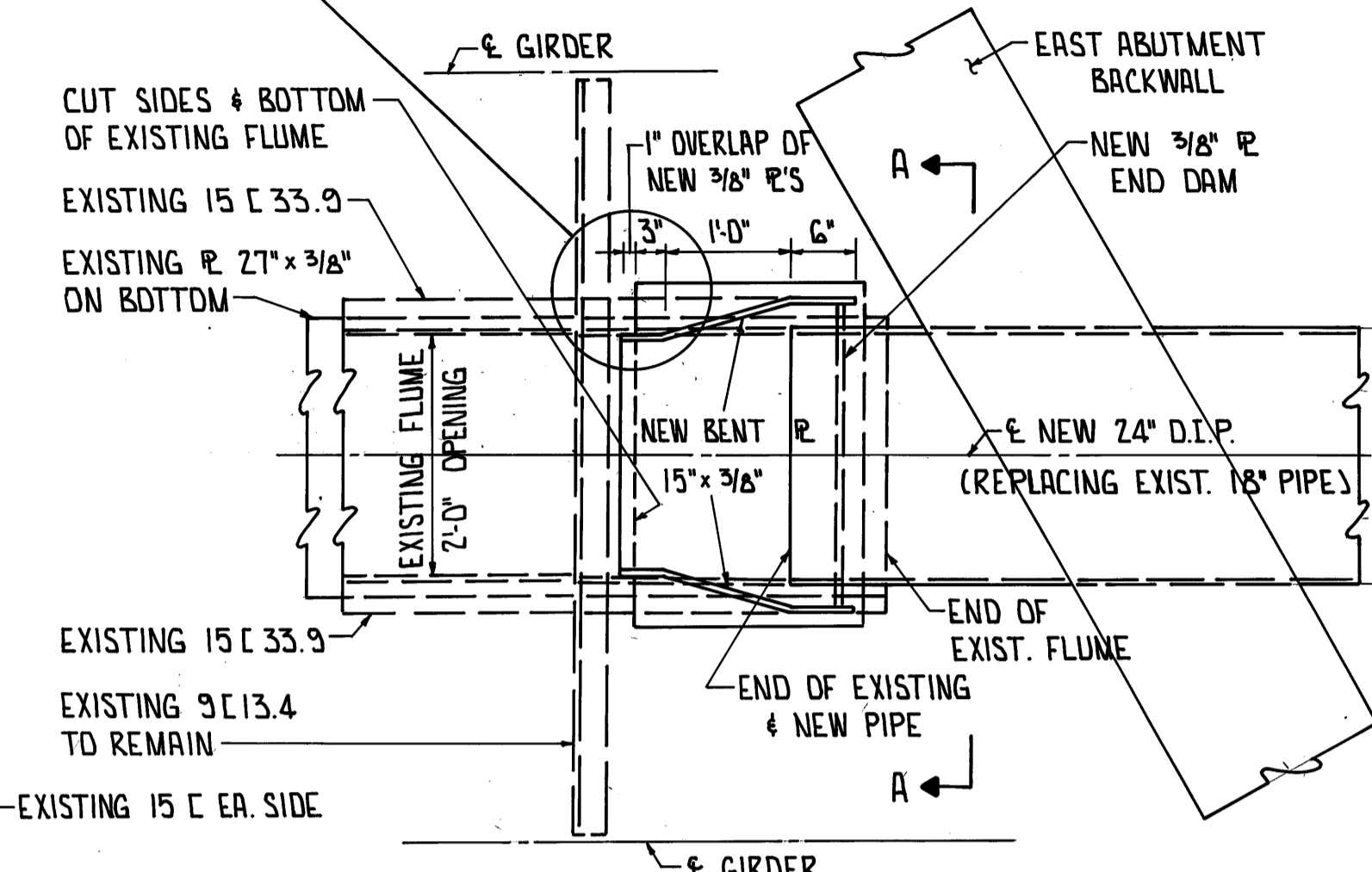
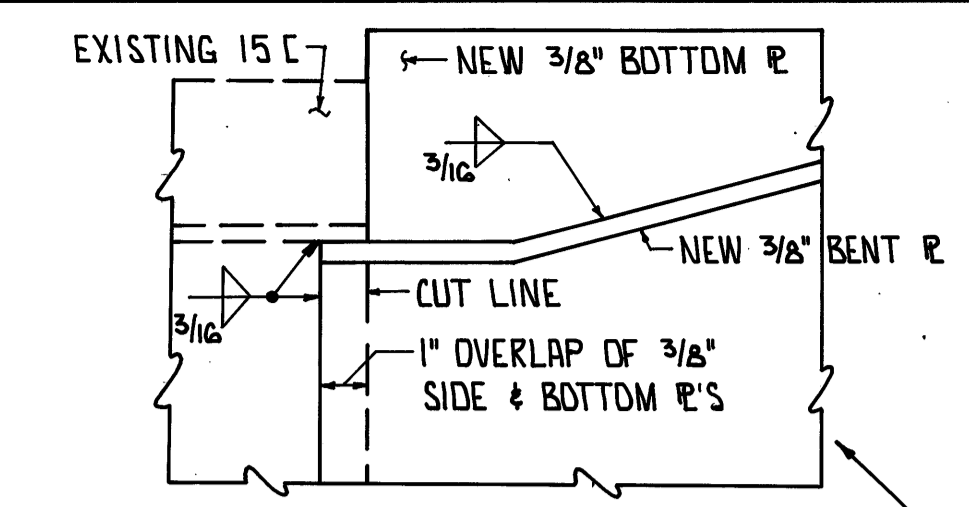
FHWA REGION	STATE	PROJECT	
5	OHIO		

LAKE COUNTY
LAK-6-04.61

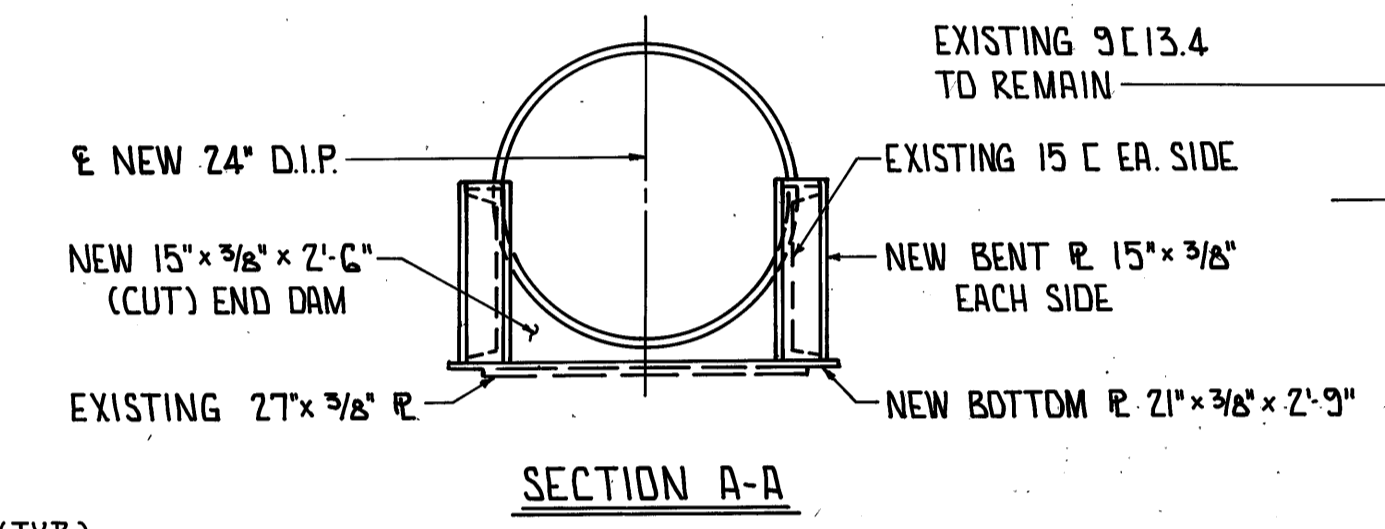


PLAN

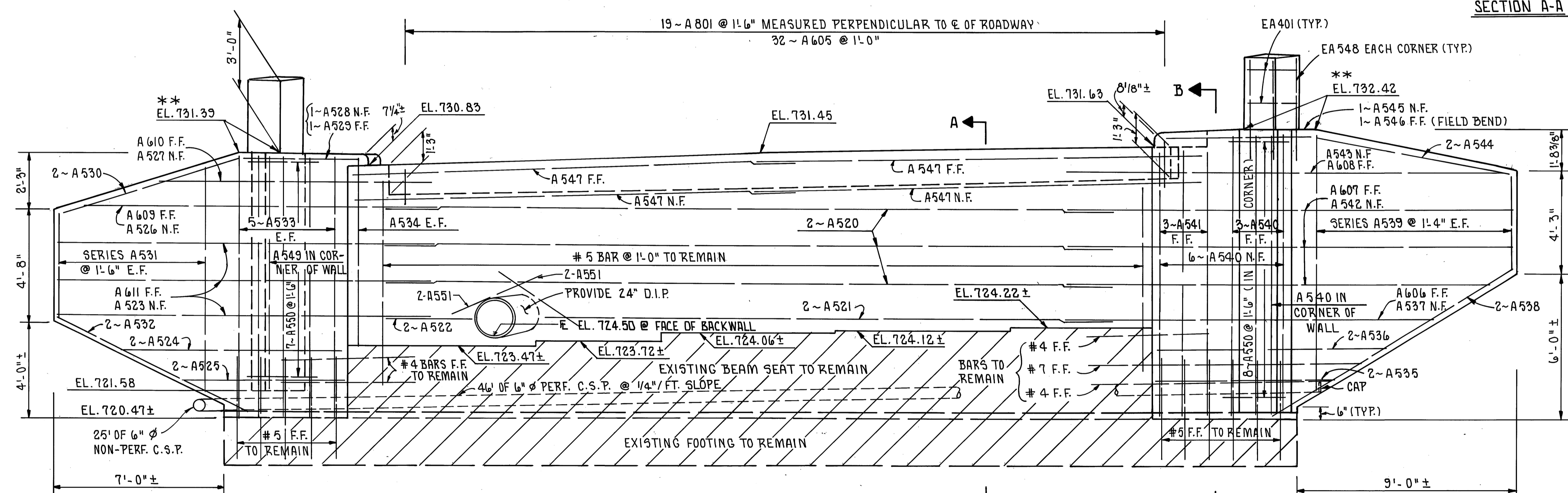
POROUS BACKFILL SHALL EXTEND UPWARD TO THE PLANE OF THE SUBGRADE AND Laterally TO THE SURFACE OF THE EMBANKMENT SLOPES.



SECTION A-A



SECTION A-A

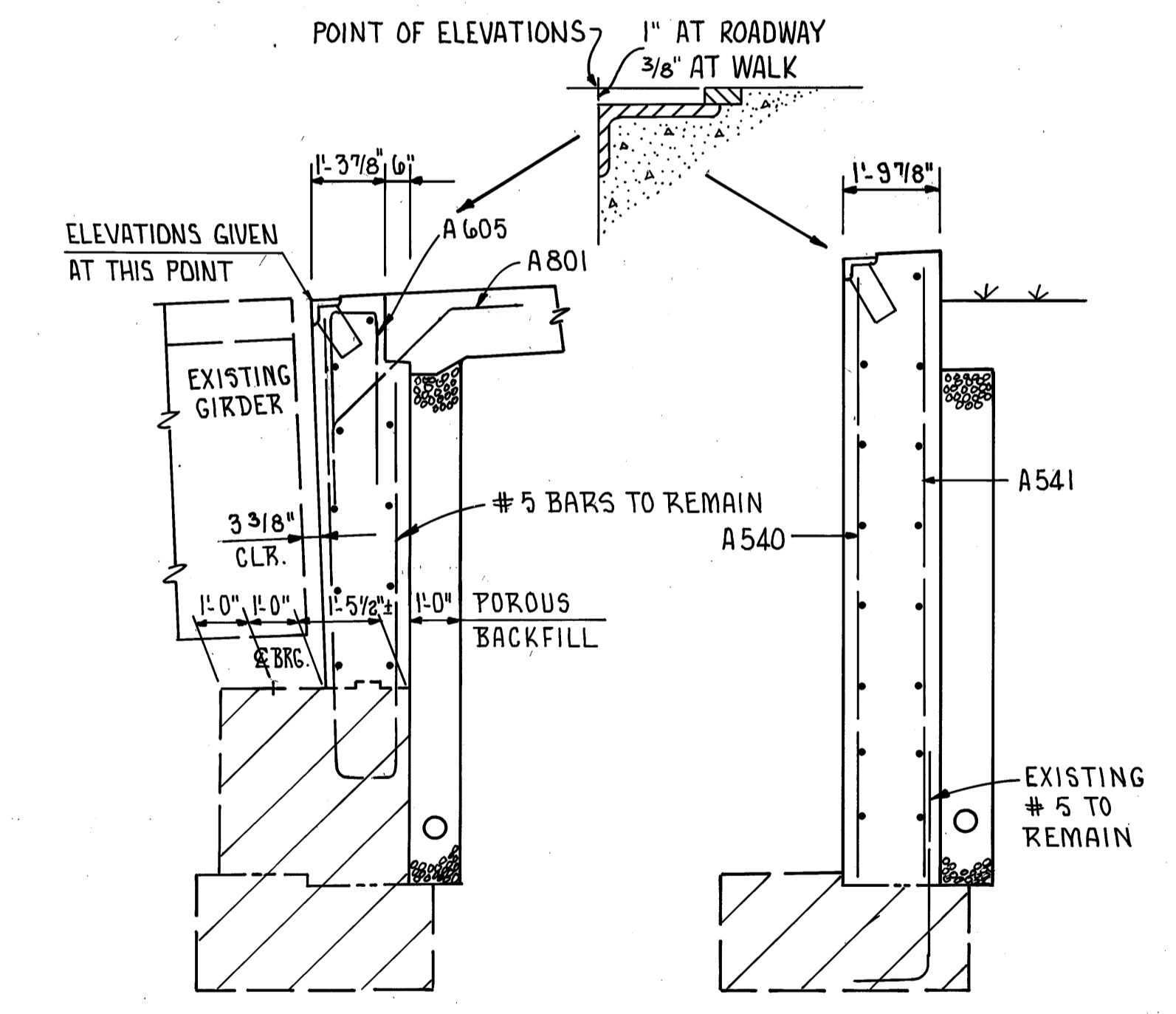


ELEVATION

NOTE: BEAM SEAT ELEVATIONS OBTAINED FROM FIELD SURVEY. THE CONTRACTOR SHALL VERIFY THESE ELEVATIONS.

LEGEND
F.F. FAR FACE
N.F. NEAR FACE
E.F. EACH FACE

** NOTE: ELEVATIONS AT TOP OF WINGWALLS AT SAFETY CURBS ARE APPROXIMATE. ELEVATION WILL BE REQUIRED TO MATCH REINSTALLED 3/8" FLOOR PLATE.



SECTION A-A

SECTION B-B

LAKE INC. ENGINEERING		4 / 6	
WICKLIFFE, OHIO			
EAST ABUTMENT DETAIL			
BRIDGE NO. LAK-6-0461			
S.R. 6 OVER			
THE CHAGRIN RIVER			
LAKE COUNTY		S.R. 6	
DESIGNED	DRAWN	TRACED	CHECKED
MM	MM	PP	NK
REVIEWED	DATE	REVISED	
JF	11/5/02		