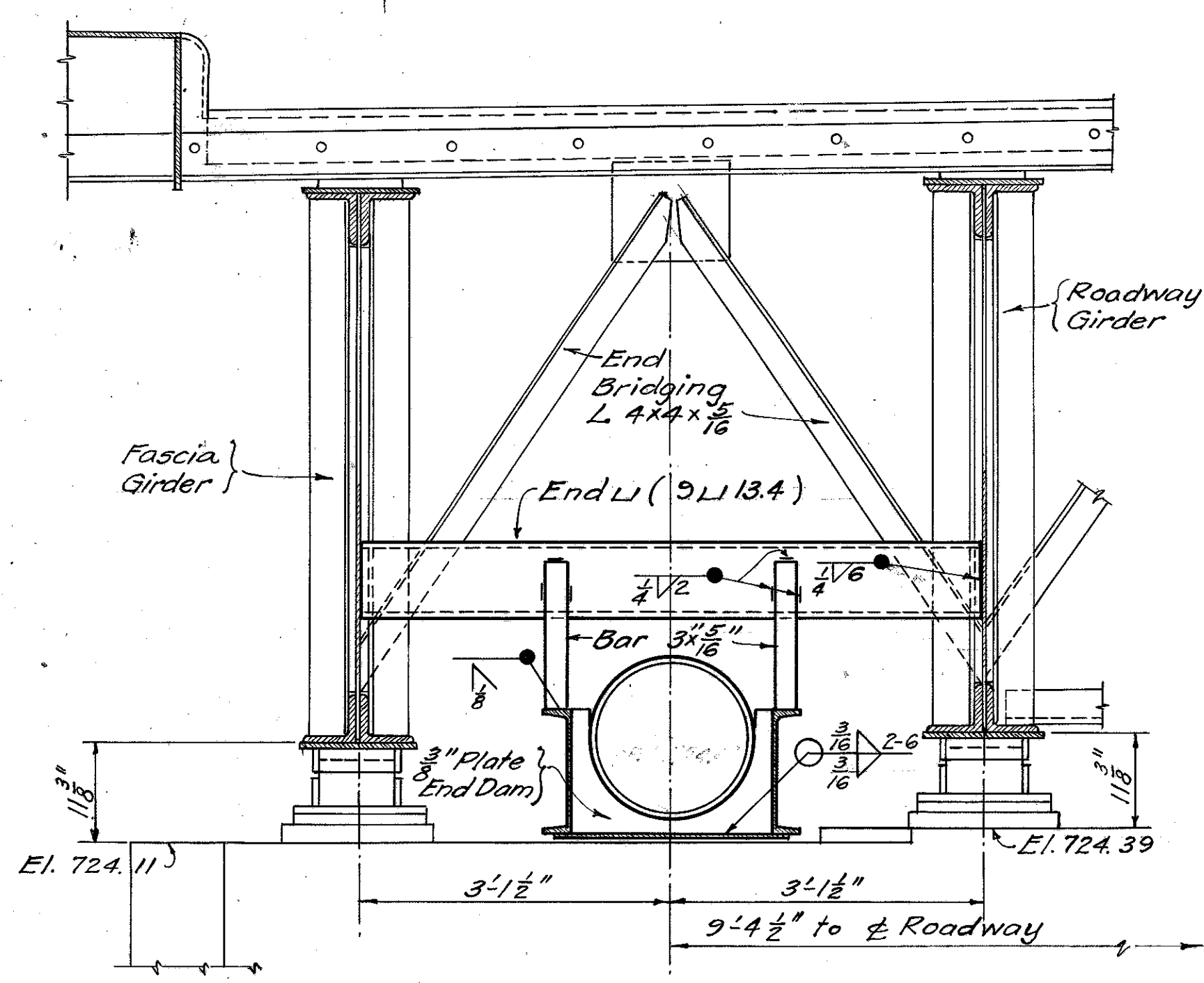
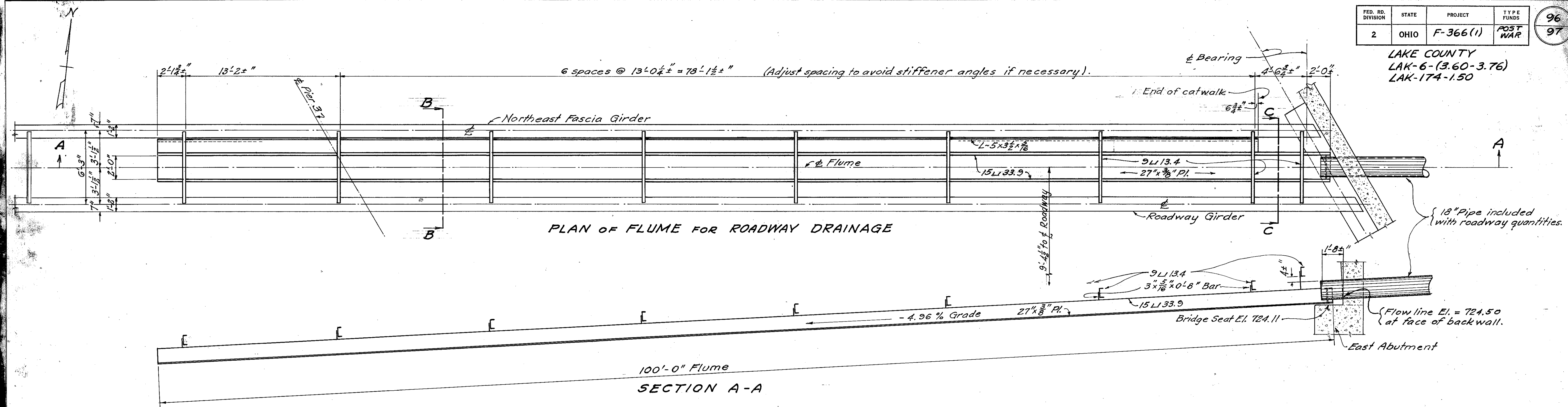


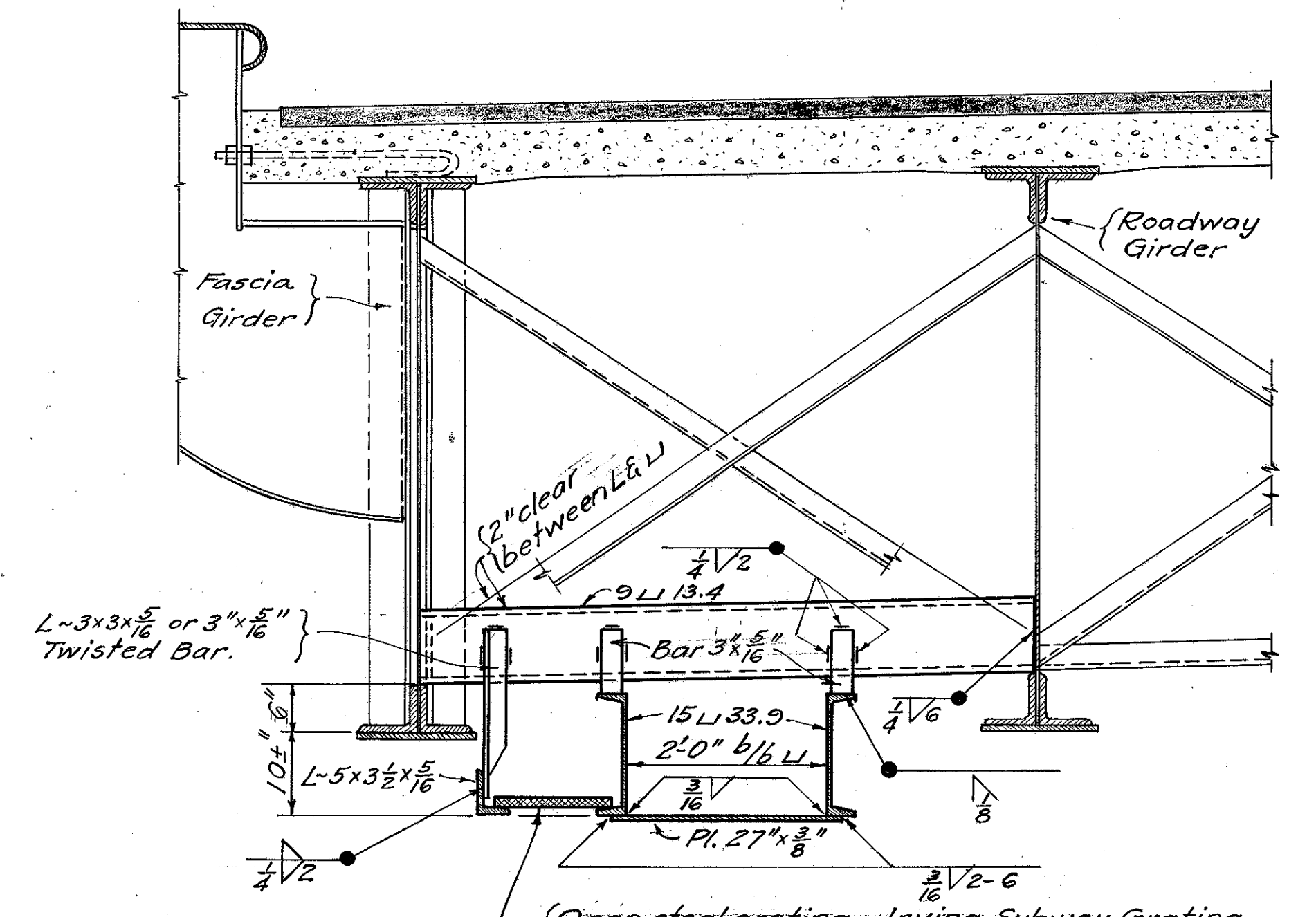
FED. RD. DIVISION	STATE	PROJECT	TYPE FUNDS
2	OHIO	F-366(1)	POST WAR

96
97

LAKE COUNTY
LAK-6-(3.60-3.76)
LAK-174-1.50



SECTION C-C



SECTION B-B

{ Open steel grating, Irving Subway Grating or approved equivalent. Estimated weight 4.1 lbs. per sq. ft. Tack weld grating to angle and channel. Weight of steel grating included in lbs of structural steel for payment.

Splices in flume channels and bottom plate to be staggered a minimum of 2'-0" and to be completely butt welded.

The inside surface of the flume shall be completely coated with a bituminous cement of such characteristics and composition as to meet the performance requirements of Sec. M-6.4 (c) of the Construction and Material Specifications. The cost of the bituminous cement is included in Item 5-8, Field painting of structural steel.

STATE OF OHIO DEPARTMENT OF HIGHWAYS BUREAU OF BRIDGES AND RAILROAD CROSSINGS						
DETAILS OF FLUME FOR ROADWAY DRAINAGE						
BRIDGE NO. LA-6-47 OVER CHAGRIN RIVER						
LAKE COUNTY SECTION LAK-6-(3.60-3.76) STA. 250+33						
F-366(1)						
DESIGNED	DRAWN	TRACED	CHECKED	REVIEWED	DATE	REVISION
K.E.D.	K.E.D.	K.E.D.	C.L.P.	W.R.	4-19-50	