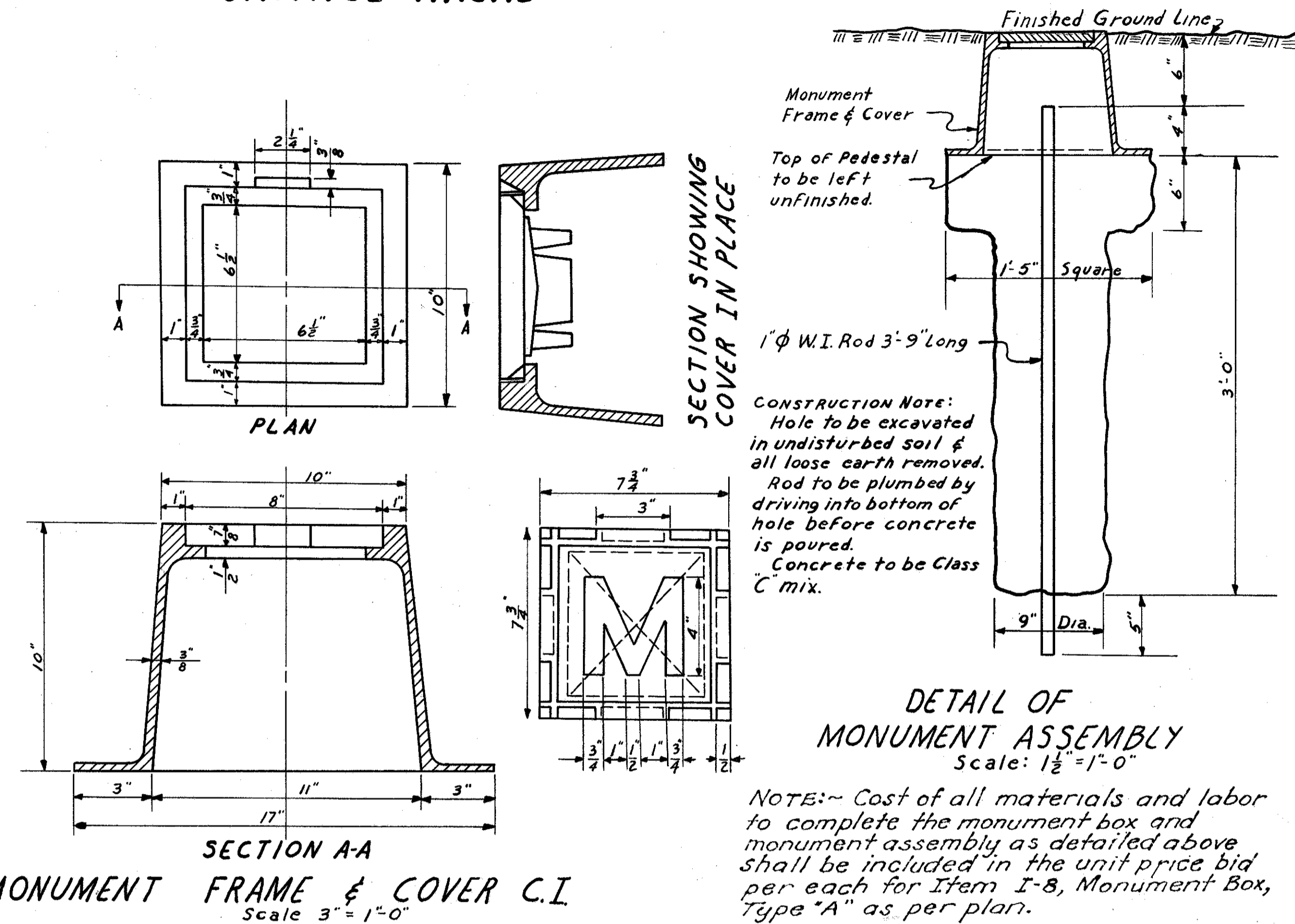


**MONUMENT BOX TYPE A
UNPAVED AREAS**

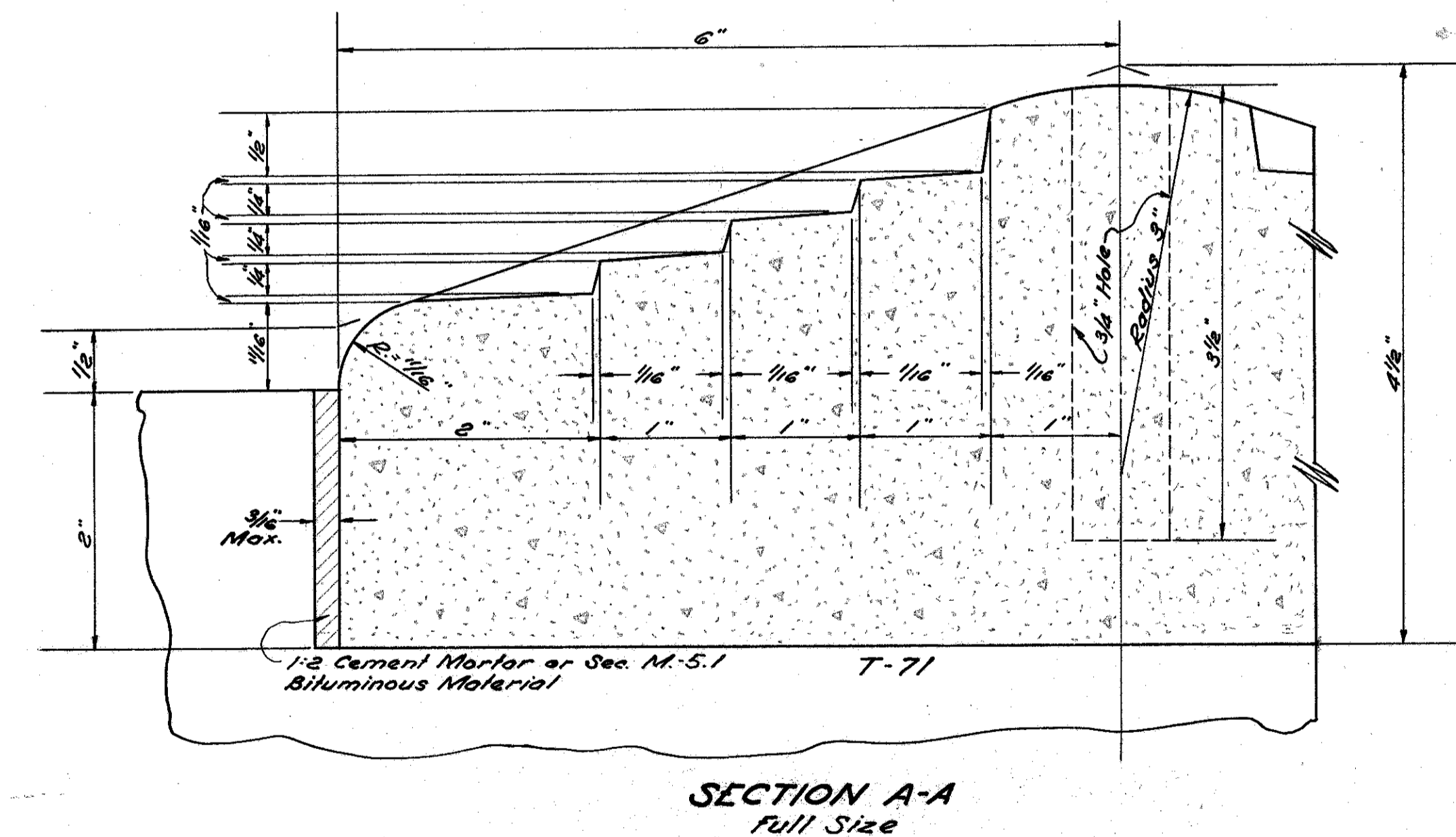
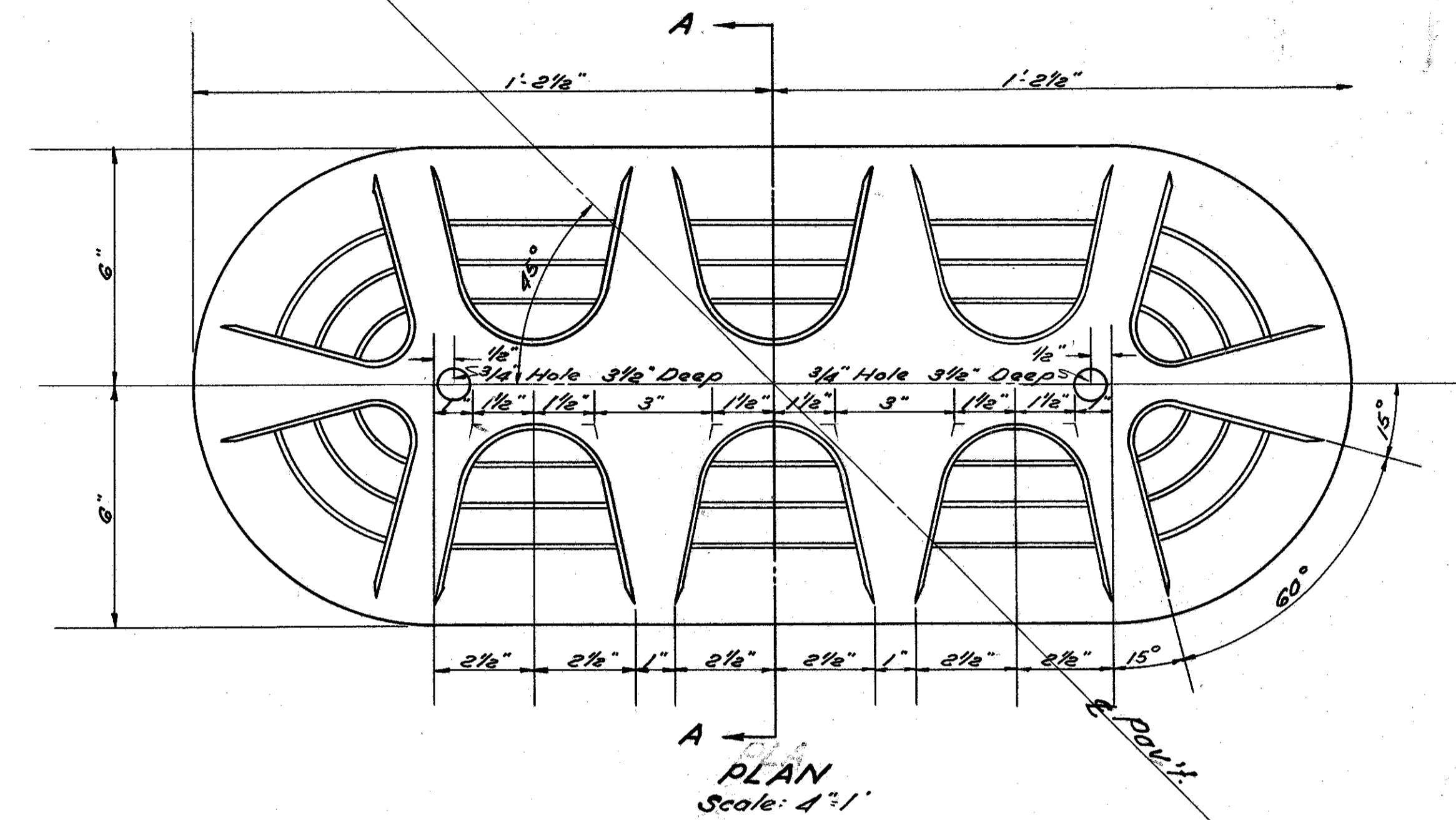


SPECIAL PRECAST CONCRETE TRAFFIC DIVIDERS

FED. RD. DIVISION	STATE	PROJECT	TYPE FUNDS
2	OHIO	F-366(1)	

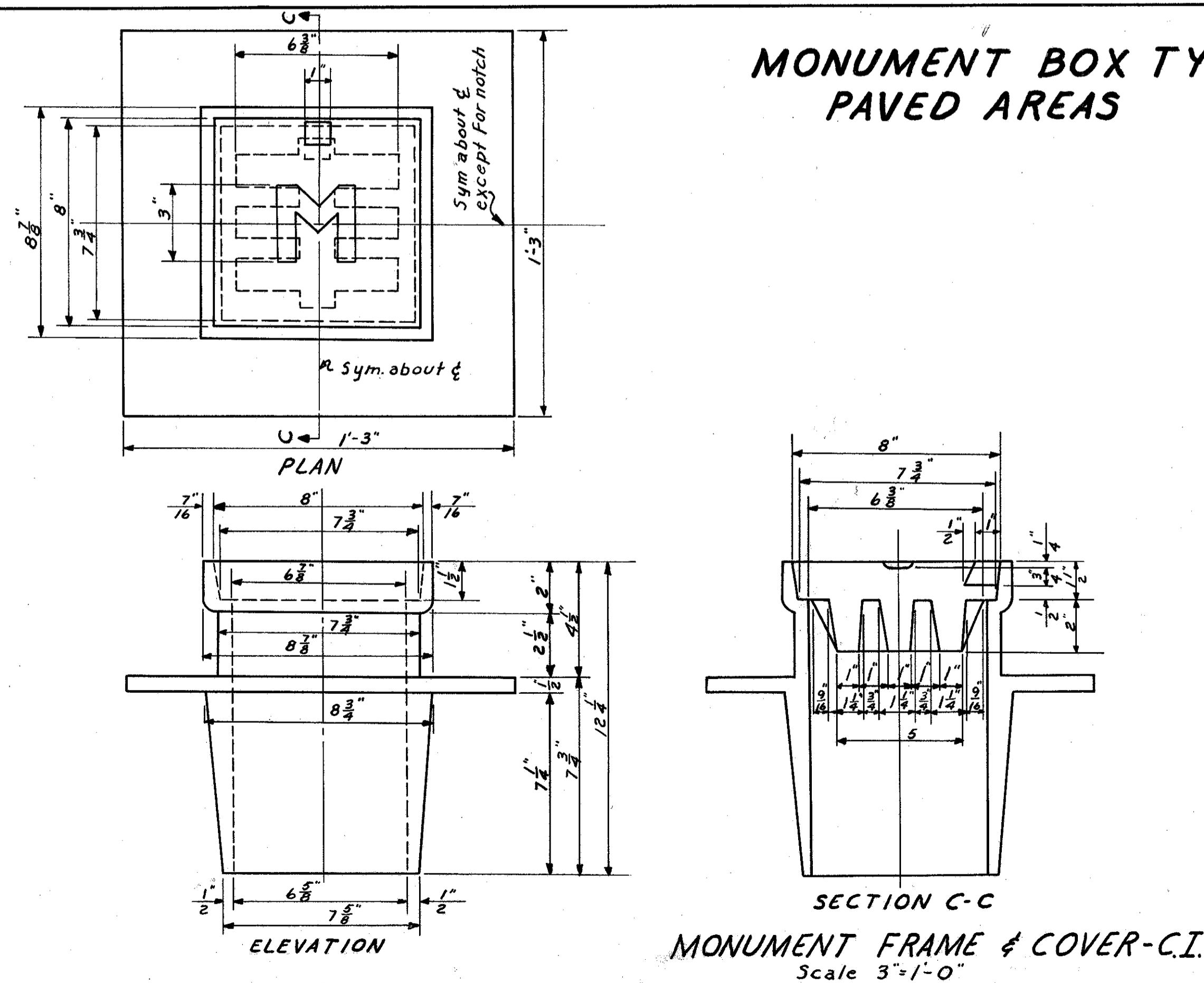
81
97

LAKE COUNTY
LAK. - G-(3.60-3.76)



Precast concrete traffic dividers shall be manufactured to the requirements of the Special Provisions, or Proposal, and as follows:
The units shall be precasts.
The cement shall be white portland cement, meeting the requirements of Sec. M-1.1 of the Material Details. It shall, in addition be manufactured to conform to the whiteness of Atlas or Medusa brands of White Portland Cement.
The fine and coarse aggregates shall in addition to meeting the requirements for soundness and grading, be of such a light color that a small specimen made with these aggregates and white cement, and cured for 3 days, shall be, by visual inspection, as white as the specimen which is available for comparison at the laboratory.
The form used shall be coated with a nonstaining material which will permit their removal without adherence to the concrete.
After the traffic dividers are set in the pavement, the 3/4" hole shall be filled to within 3/4" of the surface with dry sand and sealed with bituminous material Sec. M-5.1.
The unit price bid for each divider, shall include all material and labor necessary for installation of divider complete in place.
Openings into which the traffic dividers are to be set shall be formed by an acceptable method at the time the T-71 concrete is placed. Any opening remaining between the concrete pavement and the traffic dividers shall be filled with 1:2 mortar or Sec. M-5.1 Bituminous Material.

**MONUMENT BOX TYPE B
PAVED AREAS**



DETAILS OF TRAFFIC DIVIDER & MONUMENT BOXES