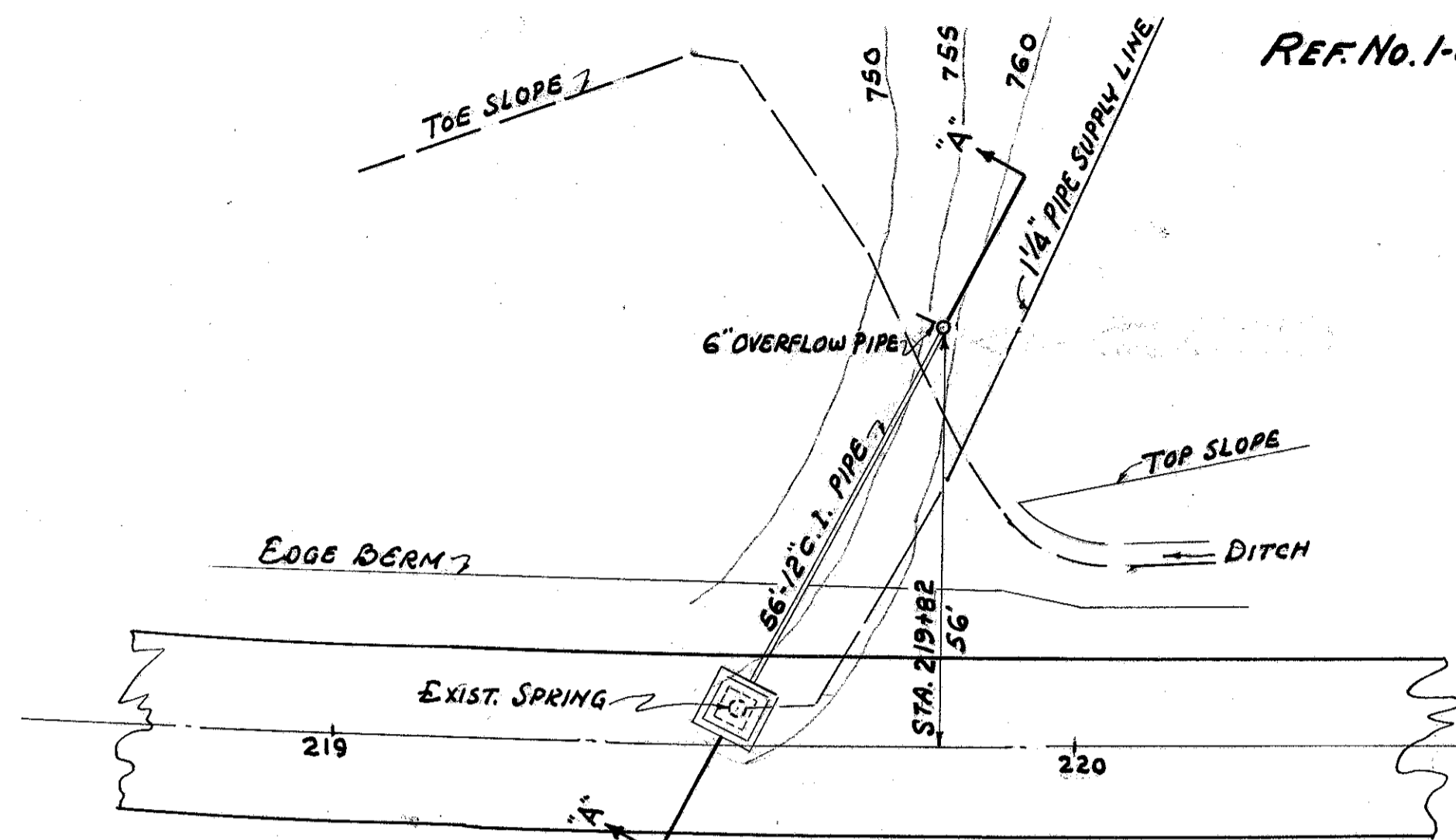


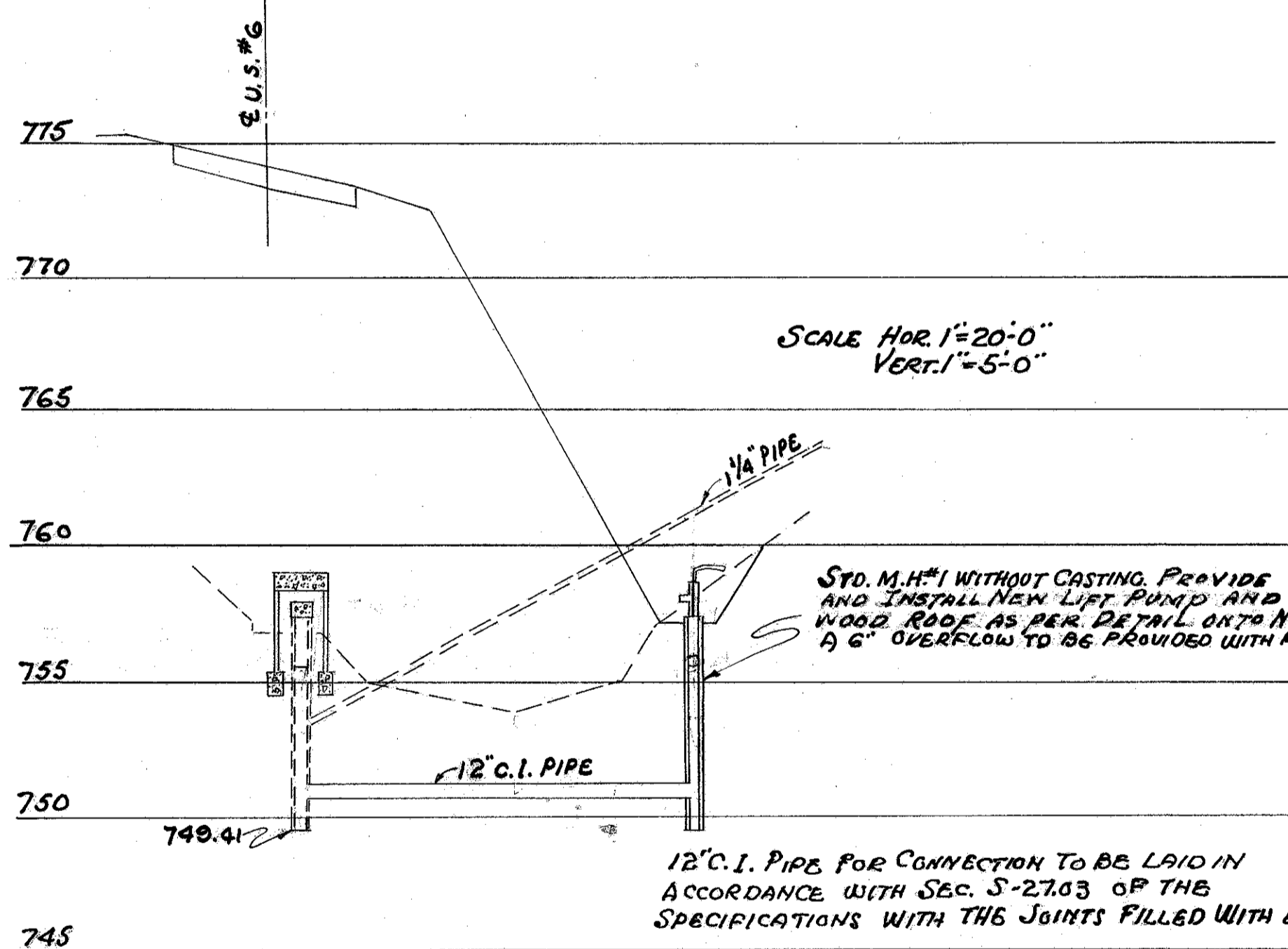
DETAIL FOR EXTENDING SPRING OUTSIDE OF EMBANKMENT SLOPE

STA. 219+55-STA. 219+82

REF. NO. 1-C SHEET No. 10



PLAN
SCALE 1"=20'-0"



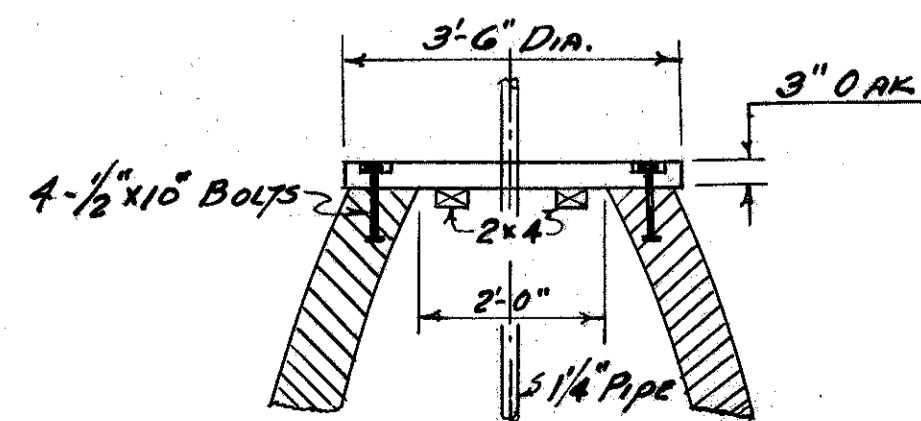
PROFILE - SECTION A-A

STD. M.H.#1 WITHOUT CASTING. PROVIDE AND INSTALL NEW LIFT PUMP AND WOOD ROOF AS PER DETAIL ONTO NEW M.H. A 6" OVERFLOW TO BE PROVIDED WITH M.H.

12" C.I. PIPE FOR CONNECTION TO BE LAID IN ACCORDANCE WITH SEC. S-2703 OF THE SPECIFICATIONS WITH THE JOINTS FILLED WITH LEADITE

Work Required

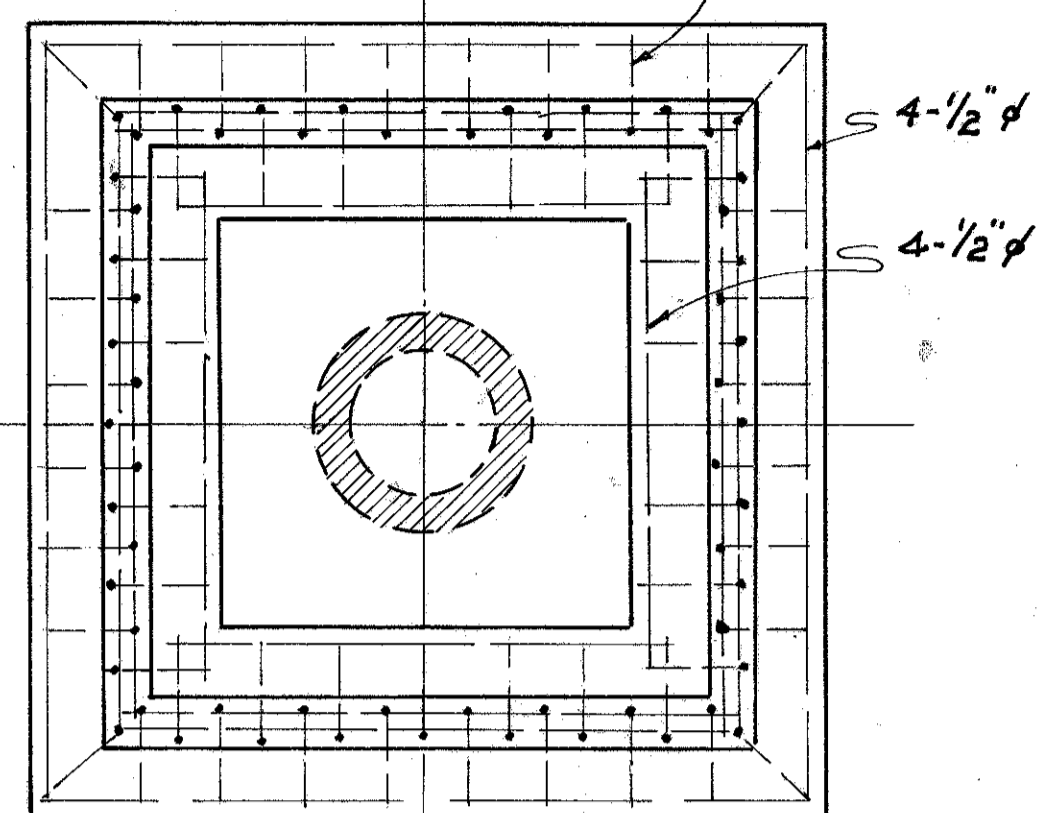
BUILD NEW M.H. OUTSIDE OF SLOPE AND CONNECT TO EXISTING SPRING WITH 56" C.I. PIPE. PROVIDE AND INSTALL NEW LIFT PUMP AT NEW MANHOLE. BUILD REINFORCED CONCRETE BOX COVER OVER EXISTING SPRING



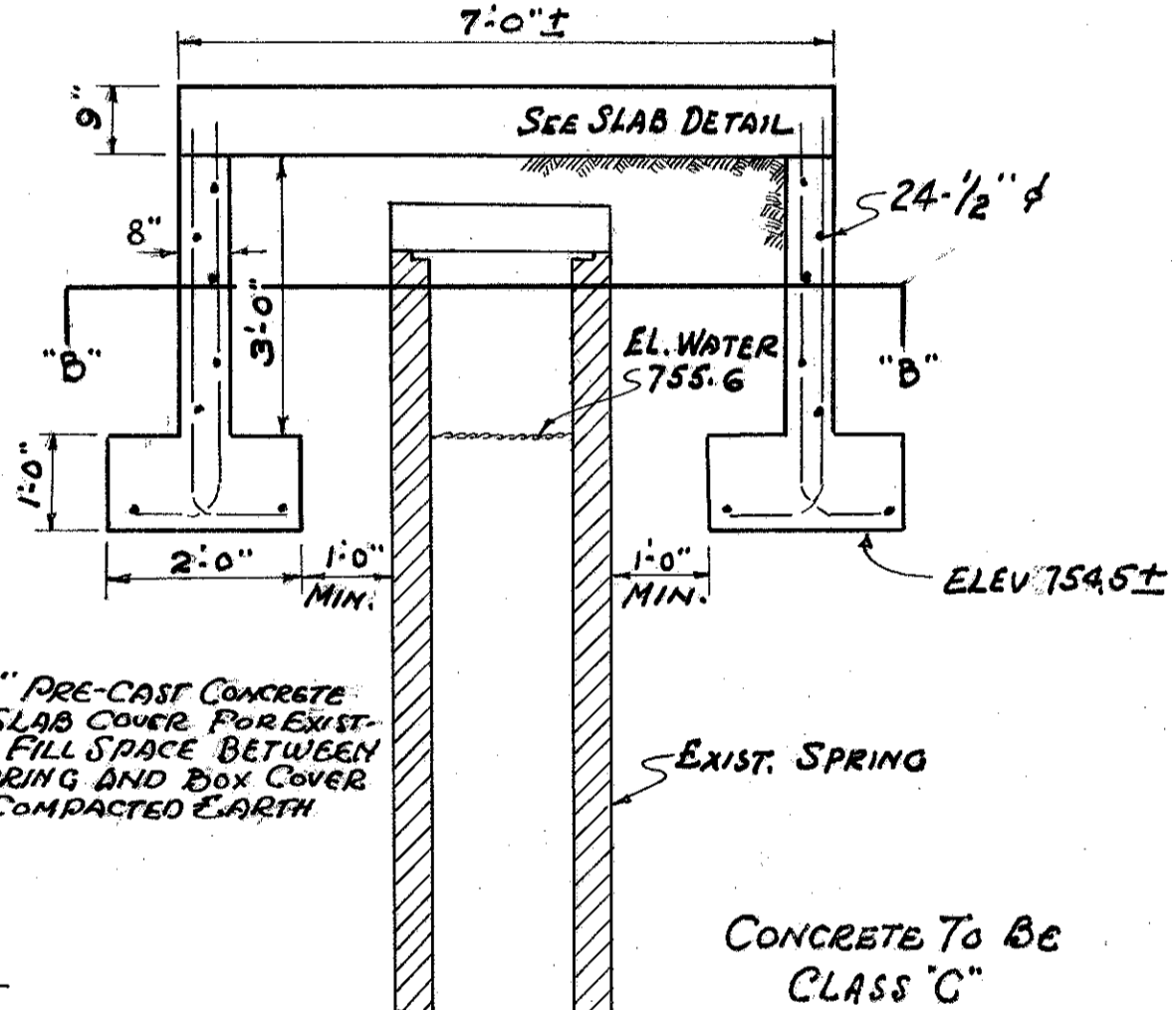
DETAIL FOR M.H. ROOF

REINFORCED CONCRETE BOX COVER FOR SPRING

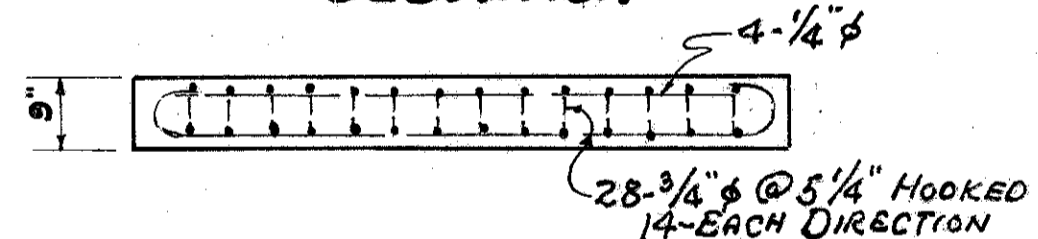
60-1/2" ϕ @ 5'-BENT AND STAGGERED AS SHOWN



SECTION B-B



ELEVATION



SLAB DETAIL

PROVIDE 6" PRE-CAST CONCRETE OR STONE SLAB COVER FOR EXISTING SPRING. FILL SPACE BETWEEN EXISTING SPRING AND BOX COVER WITH NON-COMPACTED EARTH

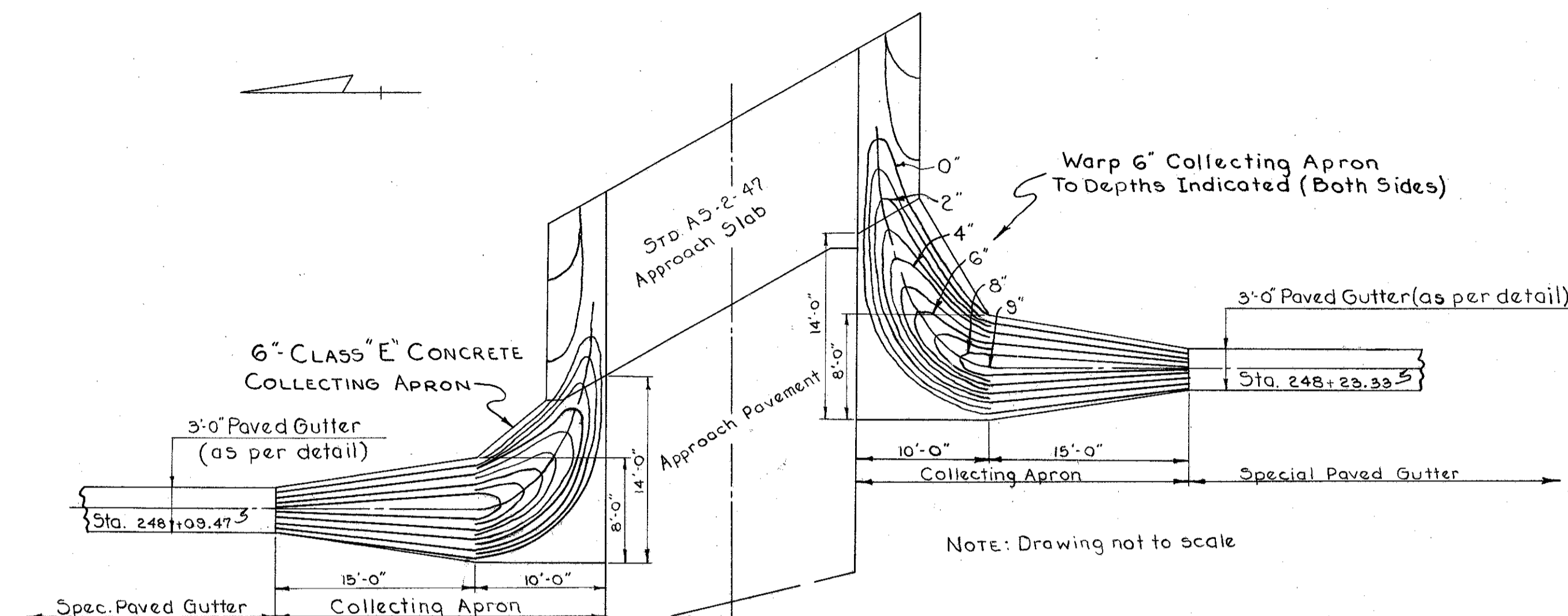
LIFT PUMP
LIFT PUMP SHALL MEET THE FOLLOWING REQUIREMENTS, SHALL BE FURNISHED COMPLETE WITH MOUNTING FLANGE FOR TIMBER ROOF, WITH 3" BRASS SUCTION CYLINDER TO BE LOCATED 6 1/2 FEET BELOW TIMBER ROOF, WITH 1/16" PUMP ROD, AND WITH 1 1/4" PIPE WITH DRAIN HOLE TO PREVENT FREEZING.

ESTIMATED QUANTITIES

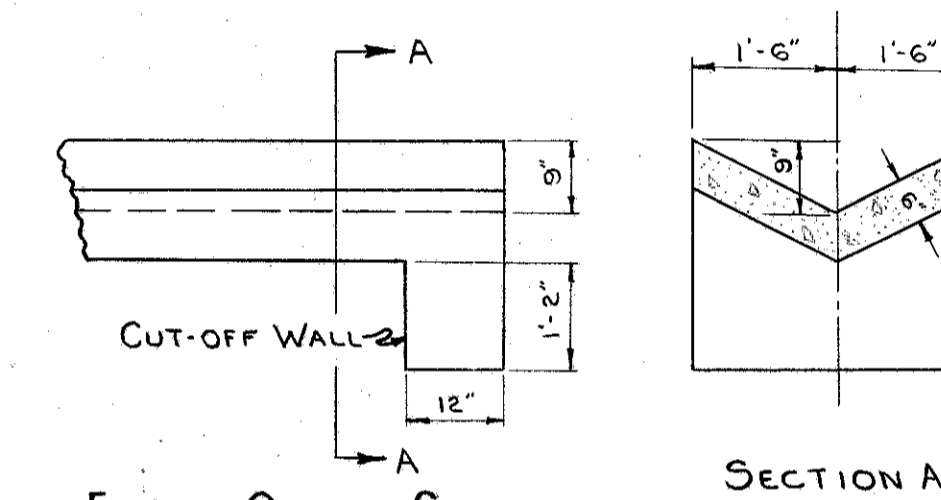
ITEM S-1 CONCRETE FOR STRUCTURES CLASS "C"	4.6 CU YDS
ITEM S-4 REINFORCING STEEL	665.0 LBS
ITEM I-8 STD. M.H.#1 WITHOUT FRAME AND COVER	1 EACH
ITEM B-2 EXCAVATION FOR STRUCTURES	22.0 CU YDS.
ITEM SPECIAL 12" C.I. PIPE FOR CONNECTION	56.0 LIM. FT.
ITEM SPECIAL LIFT PUMP AND M.H. ROOF	LUMP SUM.

NOTE:
ITEM SPECIAL, THIS ITEM SHALL BE PAID FOR IN PLACE AND COMPLETED AND ACCEPTED, AT THE LUMP SUM PRICE BID FOR "LIFT PUMP AND M.H. ROOF", WHICH PRICE AND PAYMENT SHALL CONSTITUTE FULL COMPENSATION FOR FURNISHING AND PLACING ALL MATERIALS AND FOR ALL LABOR, EQUIPMENT, TOOLS AND INCIDENTALS NECESSARY TO COMPLETE THIS ITEM.

DETAIL FOR SPECIAL PAVED GUTTER AND COLLECTING APRONS OFF WEST END OF BRIDGE



NOTE:
Payment for warped collecting apron off approach slab is to be included in the unit price bid for Item I-14 Special Paved Gutter (as per plan). See Sheet No. 12.



CLASS "E" CONCRETE

Gutter shall have an impressed joint at intervals of 10 feet according to Sec. I-14.05 of the Specifications.

SPECIAL PAVED GUTTER DETAIL
1/2" = 1'-0"